

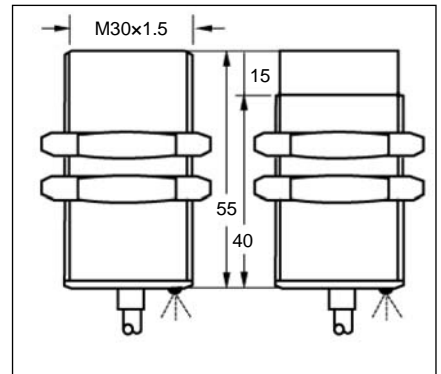
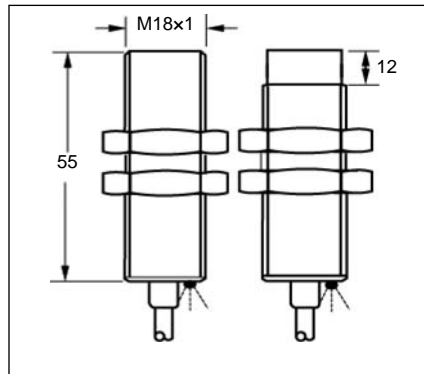
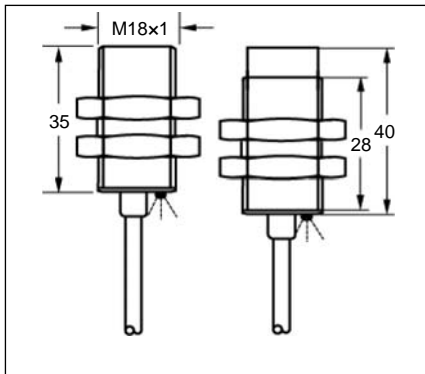
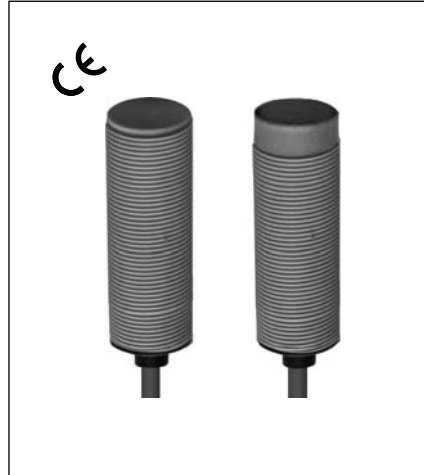
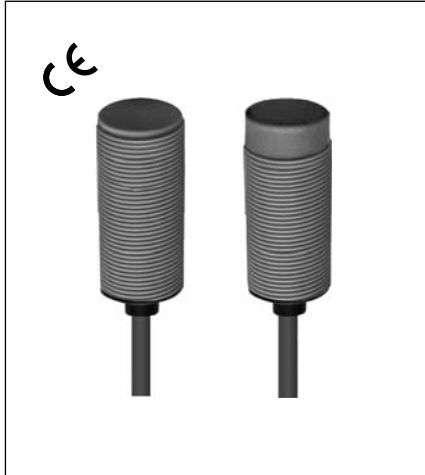


# INDUCTIVE PROXIMITY SENSOR DC 2WIRE/4WIRE (10-60VDC/10-30VDC/5-36VDC)

M18	
●	○
5 mm	8 mm
PBT	
●	

M18	
●	○
5 mm	8 mm
PBT	
●	

M30	
●	○
10 mm	15 mm
PBT	
●	



<10%	
<10mA	
200mA	
<0.01mA	
<4.5V	
1KHz	500Hz
0.2ms/0.2ms	0.5ms/0.5ms
<15%(Sr)	
<1.0%(Sr)	
IP67	
-25°C - +70°C	
<10%(Sr)	
Yes	
220mA	
PBT	

<10%	
<10mA	
200mA	
<0.01mA	
<4.5V	
1KHz	500Hz
0.2ms/0.2ms	0.5ms/0.5ms
<15%(Sr)	
<1.0%(Sr)	
IP67	
-25°C - +70°C	
<10%(Sr)	
Yes	
220mA	
PBT	

<10%	
<10mA	
200mA	
<0.01mA	
<4.5V	
300Hz	150Hz
0.5ms/0.5ms	1ms/1ms
<15%(Sr)	
<1.0%(Sr)	
IP67	
-25°C - +70°C	
<10%(Sr)	
Yes	
220mA	
PBT	

2M Cable (5.0 φ 2x0.5 or 4x0.25)	
approx. 125 g	

2M Cable (5.0 φ 2x0.5 or 4x0.25)	
approx. 130 g	

2M Cable (5.0 φ 2x0.5 or 4x0.25)	
approx. 200 g	

IPS-M1805C-A4VS2	7*	IPN-M1808C-A4VS2
IPS-M1805C-B4VS2	8	IPN-M1808C-B4VS2
IPS-M1805P-C1VS2	6	IPN-M1808P-C1VS2
IPS-M1805N-C1VS2	5	IPN-M1808N-C1VS2
IPS-M1805P-C2VS2	6	IPN-M1808P-C2VS2
IPS-M1805N-C2VS2	5	IPN-M1808N-C2VS2

IPS-M1805C-A4VN2	7*	IPN-M1808C-A4VN2
IPS-M1805C-B4VN2	8	IPN-M1808C-B4VN2
IPS-M1805P-C1VN2	6	IPN-M1808P-C1VN2
IPS-M1805N-C1VN2	5	IPN-M1808N-C1VN2
IPS-M1805P-C2VN2	6	IPN-M1808P-C2VN2
IPS-M1805N-C2VN2	5	IPN-M1808N-C2VN2

IPS-M3010C-A4VN2	7*	IPN-M3015C-A4VN2
IPS-M3010C-B4VN2	8	IPN-M3015C-B4VN2
IPS-M3010P-C1VN2	6	IPN-M3015P-C1VN2
IPS-M3010N-C1VN2	5	IPN-M3015N-C1VN2
IPS-M3010P-C2VN2	6	IPN-M3015P-C2VN2
IPS-M3010N-C2VN2	5	IPN-M3015N-C2VN2

\* Wiring diagram number. Please see the relevant wiring diagram shown on Page 013 and Page 014.