
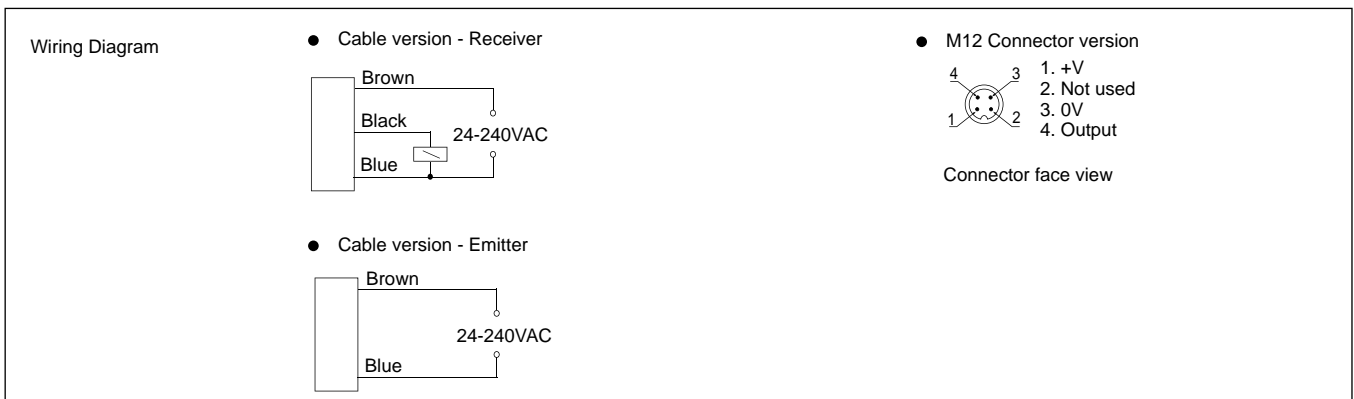
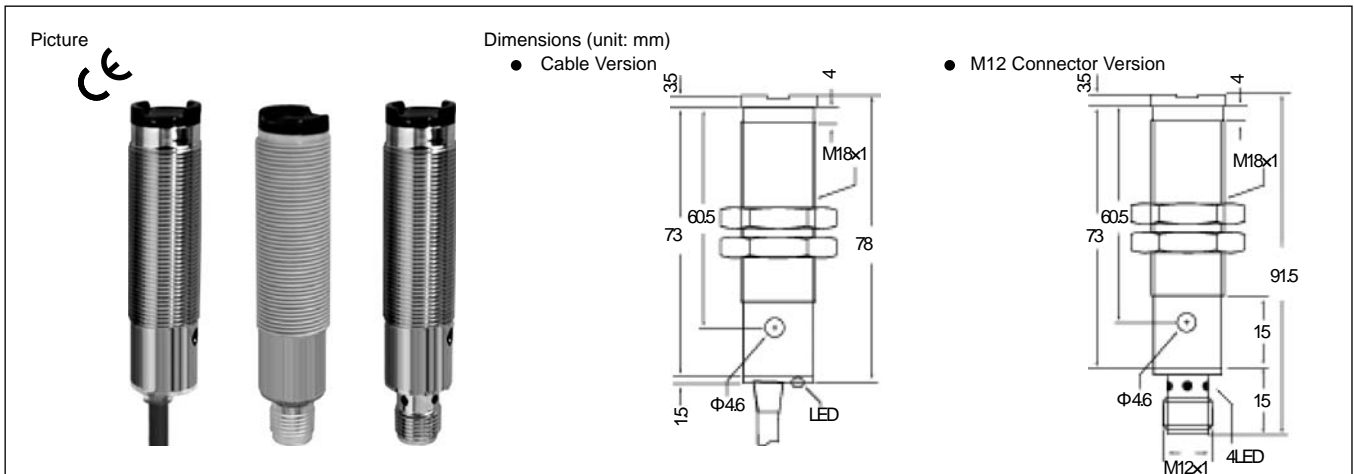


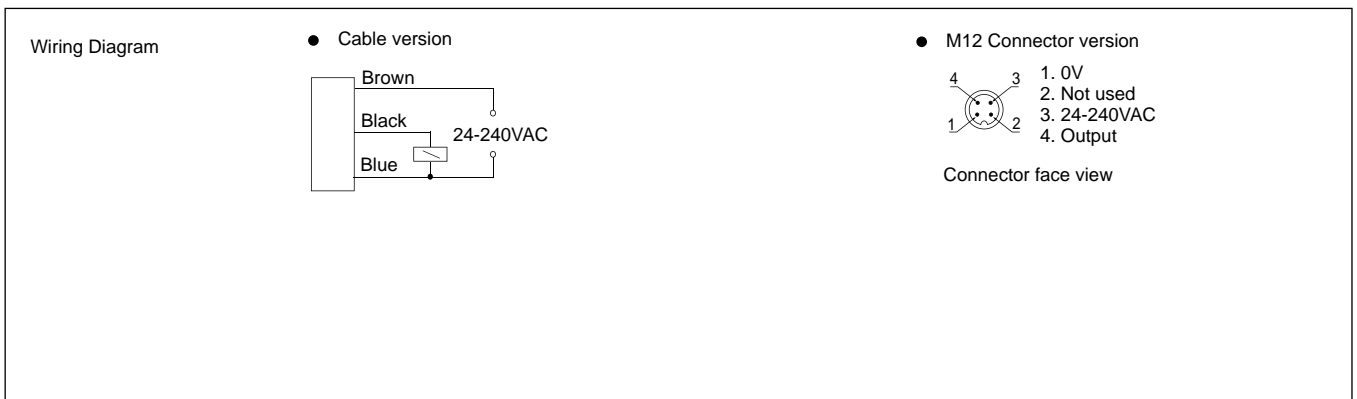
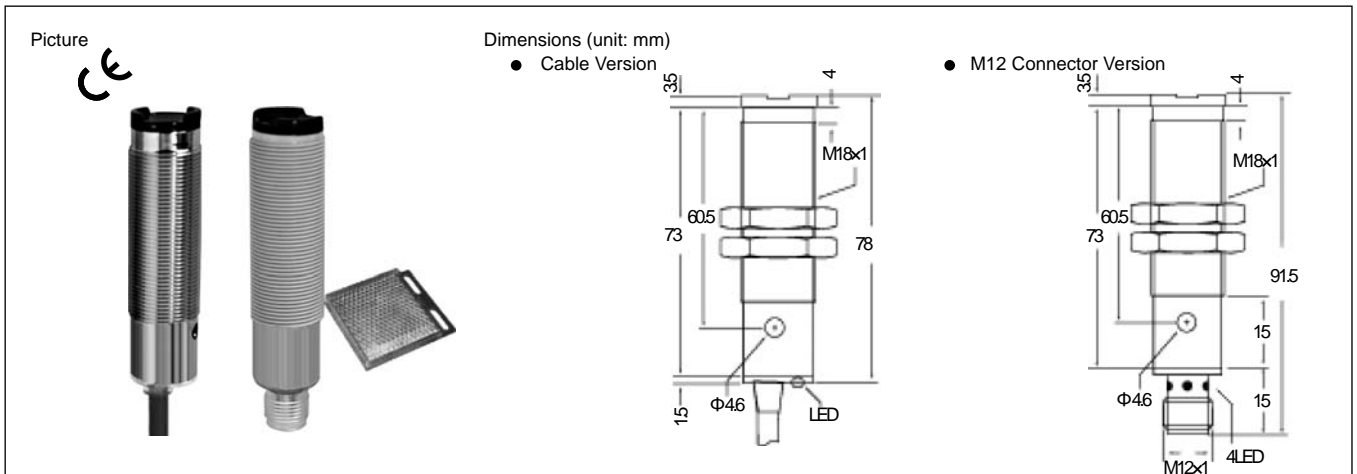
M18 SERIES PHOTOELECTRIC SENSOR (20-240VAC)

Series	M18		
Sensing Mode	Through-beam		
Sensing Schematic			
Sensing Range	15M		
Supply Voltage	24-240VDC ($\pm 10\%$)		
No Load Current	$\leq 5\text{mA}$		
Max. Load current	200mA		
Switching Hysteresis	$< 10\%(\text{Sr})$		
Output	AC non-contact (MOSFET Output)		
Output Operation	Light On or Dark On		
Response Time	15ms		
Emitting Element	Infrared (880nm)		
Protection Category	IP67		
Operating Temperature	$-25^{\circ}\text{C} - +55^{\circ}\text{C}$		
Ambient Humidity	35% - 85% RH		
Light Immunity	$> 10.000\text{Lux}$		
Tolerance	$\pm 10\%(\text{Sr})$		
Sensitivity Adjustment	Trimmer 1 turn		
Sensing Object	$\Phi 8\text{mm}$ or more		
Weight	approx.105 g	approx.120 g	
Housing Material	Plastic	Nickel Plated Brass	
2m PVC Cable (5.0 ϕ 3x0.34)	Emitter	PPM18-T15ME-H2V2	PBM18-T15ME-H2V2
	Light On	PPM18-T15MA-A2V2	PBM18-T15MA-A2V2
	Dark On	PPM18-T15MA-B2V2	PBM18-T15MA-B2V2
M12 Connector	Emitter	PPM18-T15ME-H2E4	PBM18-T15ME-H2E4
	Light On	PPM18-T15MA-A2E4	PBM18-T15MA-A2E4
	Dark On	PPM18-T15MA-B2E4	PBM18-T15MA-B2E4



M18 SERIES PHOTOELECTRIC SENSOR (20-240VAC)

Series	M18		M18		
Sensing Mode	Retro-reflective		Retro-reflective (With polarized filter)		
Sensing Schematic					
Sensing Range	3M		1M		
Supply Voltage	24-240VDC (±10%)		24-240VDC (±10%)		
No Load Current	≤5mA		≤5mA		
Max. Load current	200mA		200mA		
Switching Hysteresis	<10%(Sr)		<10%(Sr)		
Output	AC non-contact (MOSFET Output)		AC non-contact (MOSFET Output)		
Output Operation	Light On or Dark On		Light On or Dark On		
Response Time	15ms		15ms		
Emitting Element	Infrared (880nm)		Infrared (880nm)		
Protection Category	IP67		IP67		
Operating Temperature	-25°C - +55°C		-25°C - +55°C		
Ambient Humidity	35% - 85% RH		35% - 85% RH		
Light Immunity	>10.000Lux		>10.000Lux		
Tolerance	±10%(Sr)		±10%(Sr)		
Sensitivity Adjustment	Trimmer 1 turn		Trimmer 1 turn		
Sensing Object	Q51 Mirror		Q51 Mirror		
Weight	approx.105 g	approx.120 g	approx.105 g	approx.120 g	
Housing Material	Plastic	Nickel Plated Brass	Plastic	Nickel Plated Brass	
2m PVC Cable (5.0φ 3x0.34)	Light On	PPM18-R3A-A2V2	PBM18-R3A-A2V2	PPM18-R1A-A2V2/F	PBM18-R1A-A2V2/F
	Dark On	PPM18-R3A-B2V2	PBM18-R3A-B2V2	PPM18-R1A-B2V2/F	PBM18-R1A-B2V2/F
M12 Connector	Light On	PPM18-R3A-A2E4	PBM18-R3A-A2E4	PPM18-R1A-A2E4/F	PBM18-R1A-A2E4/F
	Dark On	PPM18-R3A-B2E4	PBM18-R3A-B2E4	PPM18-R1A-B2E4/F	PBM18-R1A-B2E4/F



M18 SERIES PHOTOELECTRIC SENSOR (20-240VAC)

Series	M18		M18		
Sensing Mode	Diffuse		Diffuse		
Sensing Schematic					
Sensing Range	150mm		500mm		
Supply Voltage	24-240VDC (±10%)		24-240VDC (±10%)		
No Load Current	≤5mA		≤5mA		
Max. Load current	200mA		200mA		
Switching Hysteresis	<10%(Sr)		<10%(Sr)		
Output	AC non-contact (MOSFET Output)		AC non-contact (MOSFET Output)		
Output Operation	Light On or Dark On		Light On or Dark On		
Response Time	15ms		15ms		
Emitting Element	Infrared (880nm)		Infrared (880nm)		
Protection Category	IP67		IP67		
Operating Temperature	-25°C - +55°C		-25°C - +55°C		
Ambient Humidity	35% - 85% RH		35% - 85% RH		
Light Immunity	>10.000Lux		>10.000Lux		
Tolerance	±10%(Sr)		±10%(Sr)		
Sensitivity Adjustment	Trimmer 1 turn		Trimmer 1 turn		
Sensing Object	10x10cm white paper		20x20cm white paper		
Weight	approx.105 g	approx.120 g	approx.105 g	approx.120 g	
Housing Material	Plastic	Nickel Plated Brass	Plastic	Nickel Plated Brass	
2m PVC Cable (5.0φ 3x0.34)	Light On	PPM18-D015A-A2V2	PBM18-D015A-A2V2	PPM18-D05A-A2V2	PBM18-D05A-A2V2
	Dark On	PPM18-D015A-B2V2	PBM18-D015A-B2V2	PPM18-D05A-B2V2	PBM18-D05A-B2V2
M12 Connector	Light On	PPM18-D015A-A2E4	PBM18-D015A-A2E4	PPM18-D05A-A2E4	PBM18-D05A-A2E4
	Dark On	PPM18-D015A-B2E4	PBM18-D015A-B2E4	PPM18-D05A-B2E4	PBM18-D05A-B2E4

