

CAPACITIVE PROXIMITY SENSOR (10-30VDC)

Diameter
● Shielded ○ non-Shielded
Switching Distance, Sn: mm
Housing Material
● With LED ○ Without LED

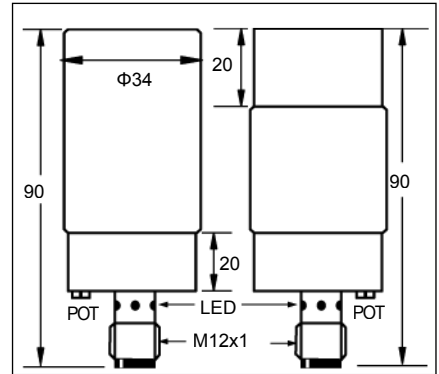
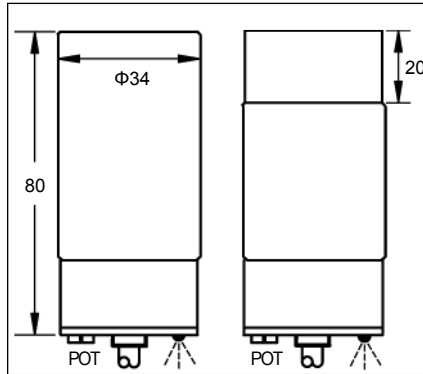
φ 34	
●	○
2-25 mm	2-35 mm
PBT	
●	

φ 34	
●	○
2-25 mm	2-35 mm
PBT	
●	

Picture



Dimensions (unit: mm)



Ripple
No Load Current
Max. Load current
Leakage Current
Voltage Drop
Switching Frequency
Response Time
Switching Hysteresis
Repeat Accuracy
Protection Category
Operating Temperature
Temperature Drift
Short Circuit Protection
Overload Trip Point
Material Active Face

<10%
<10mA
300mA
<0.01mA
<2VDC
100Hz
1.5ms/1.5ms
<15%(Sr)
<5.0%(Sr)
IP67
-25°C - +70°C
<10%(Sr)
Yes
350mA
PBT

<10%
<10mA
300mA
<0.01mA
<2VDC
100Hz
1.5ms/1.5ms
<15%(Sr)
<5.0%(Sr)
IP67
-25°C - +70°C
<10%(Sr)
Yes
350mA
PBT

Connecting type
Weight

2M Cable (5.0 φ 3x0.34)
approx.80 g

M12 connector
approx.70 g

DC 3 wire 10-30V NPN N.O.
DC 3 wire 10-30V NPN N.C.
DC 3 wire 10-30V PNP N.O.
DC 3 wire 10-30V PNP N.C.
DC 3 wire 10-55V NPN N.O.
DC 3 wire 10-55V NPN N.C.
DC 3 wire 10-55V PNP N.O.
DC 3 wire 10-55V PNP N.C.
DC 3 wire 5-36 V NPN N.O.
DC 3 wire 5-36 V NPN N.C.
DC 3 wire 5-36 V PNP N.O.
DC 3 wire 5-36 V PNP N.C.

CPS-S3425N-A1VN2	1*	CPN-S3435N-A1VN2
CPS-S3425N-B1VN2	2	CPN-S3435N-B1VN2
CPS-S3425P-A1VN2	3	CPN-S3435P-A1VN2
CPS-S3425P-B1VN2	4	CPN-S3435P-B1VN2

CPS-S3425N-A1EN4	1*	CPN-S3435N-A1EN4
CPS-S3425N-B1EN4	2	CPN-S3435N-B1EN4
CPS-S3425P-A1EN4	3	CPN-S3435P-A1EN4
CPS-S3425P-B1EN4	4	CPN-S3435P-B1EN4

* Wiring diagram number. Please see the relevant wiring diagram shown on Page 013 and Page 014.