

CAPACITIVE PROXIMITY SENSOR (10-30VDC)

Diameter
● Shielded ○ non-Shielded
Switching Distance, Sn: mm
Housing Material
● With LED ○ Without LED

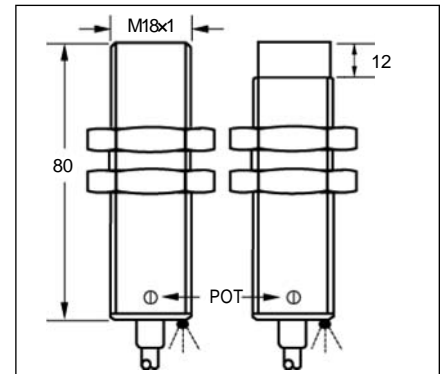
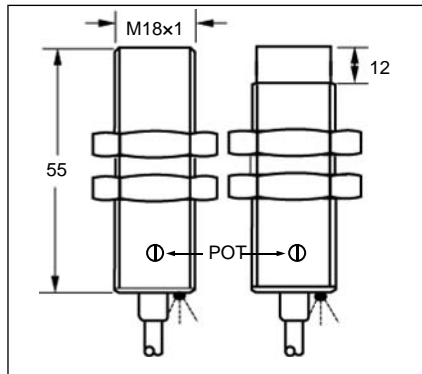
M18	
●	○
2-8 mm	2-15 mm
Nickel plated brass	
●	

M18	
●	○
2-8 mm	2-15 mm
Nickel plated brass	
●	

Picture



Dimensions (unit: mm)



Ripple
No Load Current
Max. Load current
Leakage Current
Voltage Drop
Switching Frequency
Response Time
Switching Hysteresis
Repeat Accuracy
Protection Category
Operating Temperature
Temperature Drift
Short Circuit Protection
Overload Trip Point
Material Active Face

<10%
<10mA
200mA
<0.01mA
<2VDC
100Hz
1.5ms/1.5ms
<15%(Sr)
<5.0%(Sr)
IP67
-25°C - +70°C
<10%(Sr)
Yes
220mA
PBT

<10%
<10mA
300mA
<0.01mA
<2VDC
100Hz
1.5ms/1.5ms
<15%(Sr)
<5.0%(Sr)
IP67
-25°C - +70°C
<10%(Sr)
Yes
220mA
PBT

Connecting type
Weight

2M Cable (5.0 φ 3x0.34)
approx.150 g

2M Cable (5.0 φ 3x0.34)
approx.52 g

DC 3 wire 10-30V NPN N.O.
DC 3 wire 10-30V NPN N.C.
DC 3 wire 10-30V PNP N.O.
DC 3 wire 10-30V PNP N.C.
DC 3 wire 10-55V NPN N.O.
DC 3 wire 10-55V NPN N.C.
DC 3 wire 10-55V PNP N.O.
DC 3 wire 10-55V PNP N.C.
DC 3 wire 5-36 V NPN N.O.
DC 3 wire 5-36 V NPN N.C.
DC 3 wire 5-36 V PNP N.O.
DC 3 wire 5-36 V PNP N.C.

CBS-M1808N-A1VS2	1*	CBN-M1815N-A1VS2
CBS-M1808N-B1VS2	2	CBN-M1815N-B1VS2
CBS-M1808P-A1VS2	3	CBN-M1815P-A1VS2
CBS-M1808P-B1VS2	4	CBN-M1815P-B1VS2

CBS-M1808N-A1VN2	1*	CBN-M1815N-A1VN2
CBS-M1808N-B1VN2	2	CBN-M1815N-B1VN2
CBS-M1808P-A1VN2	3	CBN-M1815P-A1VN2
CBS-M1808P-B1VN2	4	CBN-M1815P-B1VN2

* Wiring diagram number. Please see the relevant wiring diagram shown on Page 013 to Page 015.

CAPACITIVE PROXIMITY SENSOR (10-30VDC)

Diameter
● Shielded ○ non-Shielded
Switching Distance, Sn: mm
Housing Material
● With LED ○ Without LED

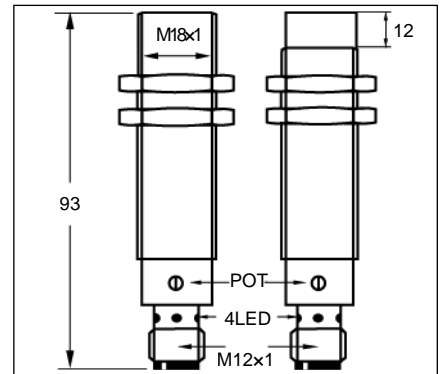
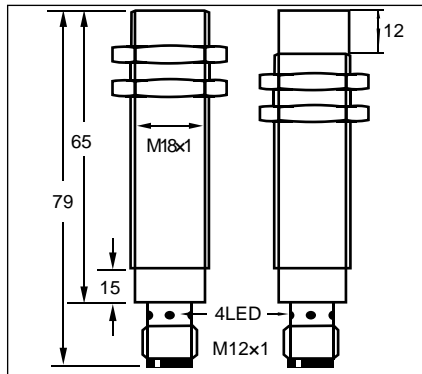
M18	
●	○
2-8 mm	2-15 mm
Nickel plated brass	
●	

M18	
●	○
2-8 mm	2-15 mm
Nickel plated brass	
●	

Picture



Dimensions (unit: mm)



Ripple
No Load Current
Max. Load current
Leakage Current
Voltage Drop
Switching Frequency
Response Time
Switching Hysteresis
Repeat Accuracy
Protection Category
Operating Temperature
Temperature Drift
Short Circuit Protection
Overload Trip Point
Material Active Face

<10%
<10mA
300mA
<0.01mA
<2VDC
100Hz
1.5ms/1.5ms
<15%(Sr)
<5.0%(Sr)
IP67
-25°C - +70°C
<10%(Sr)
Yes
220mA
PBT

<10%
<10mA
300mA
<0.01mA
<2VDC
100Hz
1.5ms/1.5ms
<15%(Sr)
<5.0%(Sr)
IP67
-25°C - +70°C
<10%(Sr)
Yes
350mA
PBT

Connecting type
Weight

M12 connector
approx.95 g

M12 connector
approx.95 g

DC 3 wire 10-30V NPN N.O.
DC 3 wire 10-30V NPN N.C.
DC 3 wire 10-30V PNP N.O.
DC 3 wire 10-30V PNP N.C.
DC 3 wire 10-55V NPN N.O.
DC 3 wire 10-55V NPN N.C.
DC 3 wire 10-55V PNP N.O.
DC 3 wire 10-55V PNP N.C.
DC 3 wire 5-36 V NPN N.O.
DC 3 wire 5-36 V NPN N.C.
DC 3 wire 5-36 V PNP N.O.
DC 3 wire 5-36 V PNP N.C.

CBS-M1808N-A1ES4	1*	CBN-M1815N-A1ES4
CBS-M1808N-B1ES4	2	CBN-M1815N-B1ES4
CBS-M1808P-A1ES4	3	CBN-M1815P-A1ES4
CBS-M1808P-B1ES4	4	CBN-M1815P-B1ES4

CBS-M1808N-A1EN4	1*	CBN-M1815N-A1EN4
CBS-M1808N-B1EN4	2	CBN-M1815N-B1EN4
CBS-M1808P-A1EN4	3	CBN-M1815P-A1EN4
CBS-M1808P-B1EN4	4	CBN-M1815P-B1EN4

* Wiring diagram number. Please see the relevant wiring diagram shown on Page 013 to Page 015.