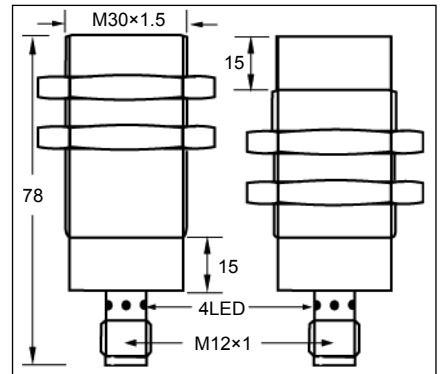
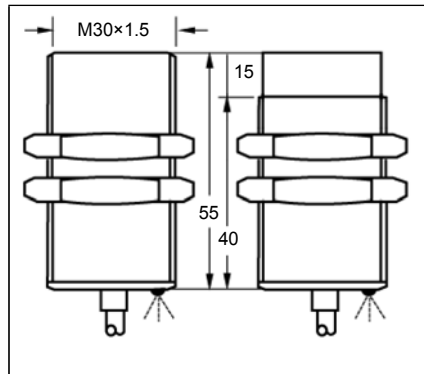
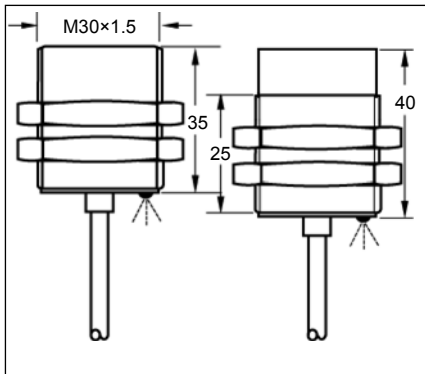


WELD FIELD IMMUNE INDUCTIVE PROXIMITY SENSOR (10-30VDC)

M30	
●	○
10 mm	15 mm
Stainless steel	
●	

M30	
●	○
10 mm	15 mm
Stainless steel	
●	

M30	
●	○
10 mm	15 mm
Stainless steel	
●	



<10%	
<10mA	
200mA	
<0.01mA	
<1.5V	
300Hz	150Hz
0.5ms/0.5ms	1ms/1ms
<15%(Sr)	
<1.0%(Sr)	
IP67	
-25°C - +70°C	
<10%(Sr)	
Yes	
220mA	
PTFE	

<10%	
<10mA	
200mA	
<0.01mA	
<1.5V	
300Hz	150Hz
0.5ms/0.5ms	1ms/1ms
<15%(Sr)	
<1.0%(Sr)	
IP67	
-25°C - +70°C	
<10%(Sr)	
Yes	
220mA	
PTFE	

<10%	
<10mA	
200mA	
<0.01mA	
<1.5V	
300Hz	150Hz
0.5ms/0.5ms	1ms/1ms
<15%(Sr)	
<1.0%(Sr)	
IP67	
-25°C - +70°C	
<10%(Sr)	
Yes	
220mA	
PTFE	

2M Cable (5.0 φ 3x0.34)
approx. 182 g

2M Cable (5.0 φ 3x0.34)
approx. 215 g

M12 connector
approx. 120 g

WSS-M3010N-A1VS2	1*	WSN-M3015N-A1VS2
WSS-M3010N-B1VS2	2	WSN-M3015N-B1VS2
WSS-M3010P-A1VS2	3	WSN-M3015P-A1VS2
WSS-M3010P-B1VS2	4	WSN-M3015P-B1VS2

WSS-M3010N-A1VN2	1*	WSN-M3015N-A1VN2
WSS-M3010N-B1VN2	2	WSN-M3015N-B1VN2
WSS-M3010P-A1VN2	3	WSN-M3015P-A1VN2
WSS-M3010P-B1VN2	4	WSN-M3015P-B1VN2

WSS-M3010N-A1ES4	1*	WSN-M3015N-A1ES4
WSS-M3010N-B1ES4	2	WSN-M3015N-B1ES4
WSS-M3010P-A1ES4	3	WSN-M3015P-A1ES4
WSS-M3010P-B1ES4	4	WSN-M3015P-B1ES4

* Wiring diagram number. Please see the relevant wiring diagram shown on Page 013 and Page 014.