

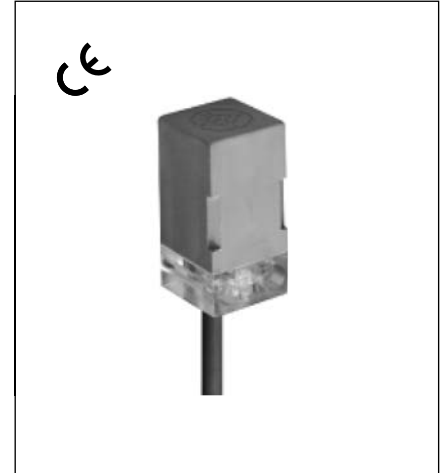
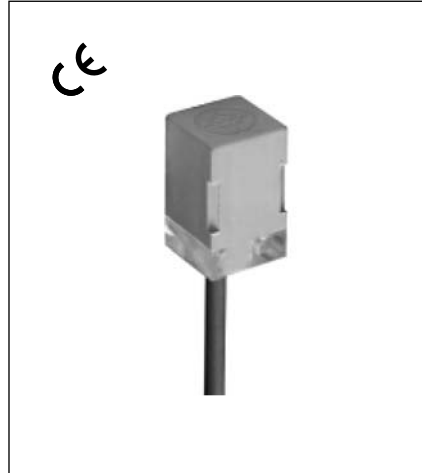
# INDUCTIVE PROXIMITY SENSOR DC 2WIRE/4WIRE (10-60VDC/10-30VDC/5-36VDC)

|                              |
|------------------------------|
| Diameter                     |
| ● Shielded    ○ non-Shielded |
| Switching Distance, Sn: mm   |
| Housing Material             |
| ● With LED    ○ Without LED  |

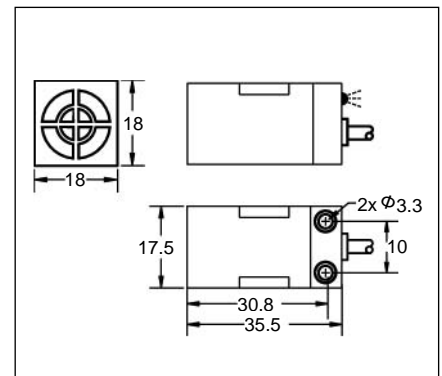
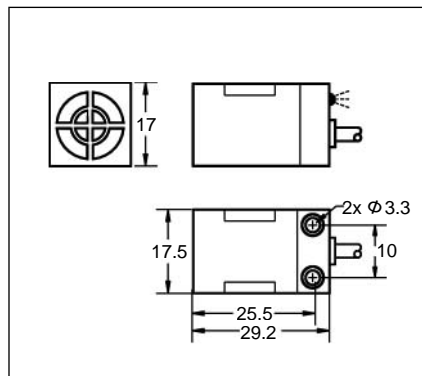
|      |
|------|
| Q16  |
| ○    |
| 4 mm |
| ABS  |
| ●    |

|      |
|------|
| Q18  |
| ○    |
| 4 mm |
| ABS  |
| ●    |

|         |
|---------|
| Picture |
|---------|



|                       |
|-----------------------|
| Dimensions (unit: mm) |
|-----------------------|



|                          |
|--------------------------|
| Ripple                   |
| No Load Current          |
| Max. Load current        |
| Leakge Current           |
| Voltage Drop             |
| Switching Frequency      |
| Response Time            |
| Switching Hysteresis     |
| Repeat Accuracy          |
| Protection Category      |
| Operating Temperature    |
| Temperature Drift        |
| Short Circuit Protection |
| Overload Trip Point      |
| Material Active Face     |

|             |
|-------------|
| <10%        |
| <10mA       |
| 200mA       |
| <0.01mA     |
| <4.5V       |
| 500Hz       |
| 0.5ms/0.5ms |
| <15%(Sr)    |
| <1.0%(Sr)   |
| IP67        |
| -25℃ - +70℃ |
| <10%(Sr)    |
| Yes         |
| 220mA       |
| ABS         |

|             |
|-------------|
| <10%        |
| <10mA       |
| 200mA       |
| <0.01mA     |
| <4.5V       |
| 500Hz       |
| 0.5ms/0.5ms |
| <15%(Sr)    |
| <1.0%(Sr)   |
| IP67        |
| -25℃ - +70℃ |
| <10%(Sr)    |
| Yes         |
| 220mA       |
| ABS         |

|                 |
|-----------------|
| Connecting type |
| Weight          |

|                         |
|-------------------------|
| 2M Cable (4.0 φ 2x0.25) |
| approx.55 g             |

|                         |
|-------------------------|
| 2M Cable (4.0 φ 2x0.25) |
| approx.58g              |

|                                  |
|----------------------------------|
| DC 2 wire 10-60V N.O.            |
| DC 2 wire 10-60V N.C.            |
| DC 4 wire 10-30V PNP (N.O.+N.C.) |
| DC 4 wire 10-30V NPN (N.O.+N.C.) |
| DC 4 wire 5-36V PNP (N.O.+N.C.)  |
| DC 4 wire 5-36V NPN (N.O.+N.C.)  |
|                                  |
|                                  |
|                                  |
|                                  |
|                                  |
|                                  |
|                                  |

|                  |    |
|------------------|----|
| IPN-Q1604C-A4VN2 | 7* |
| IPN-Q1604C-B4VN2 | 8  |
|                  |    |
|                  |    |
|                  |    |
|                  |    |
|                  |    |
|                  |    |
|                  |    |
|                  |    |
|                  |    |
|                  |    |
|                  |    |

|                   |    |
|-------------------|----|
| IPN-Q18B04C-A4VN2 | 7* |
| IPN-Q18B04C-B4VN2 | 8  |
|                   |    |
|                   |    |
|                   |    |
|                   |    |
|                   |    |
|                   |    |
|                   |    |
|                   |    |
|                   |    |
|                   |    |
|                   |    |

\* Wiring diagram number. Please see the relevant wiring diagram shown on Page 013 and Page 014.

# INDUCTIVE PROXIMITY SENSOR DC 2WIRE/4WIRE (10-60VDC/10-30VDC/5-36VDC)

|                              |
|------------------------------|
| Diameter                     |
| ● Shielded    ○ non-Shielded |
| Switching Distance, Sn: mm   |
| Housing Material             |
| ● With LED    ○ Without LED  |

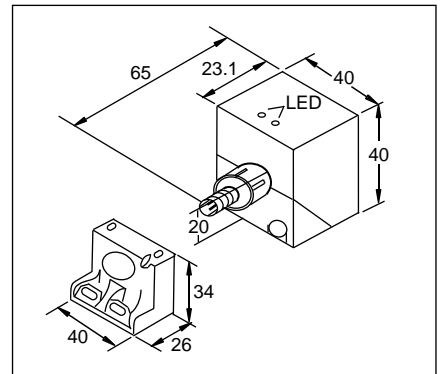
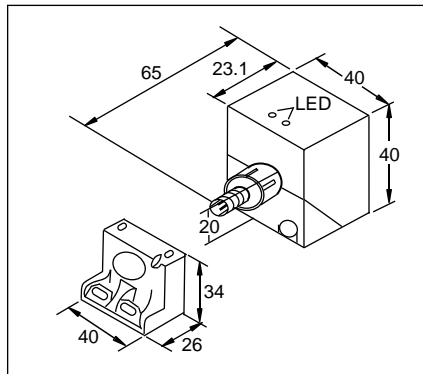
|       |
|-------|
| Q40S  |
| ●     |
| 15 mm |
| ABS   |
| ●     |

|       |
|-------|
| Q40S  |
| ○     |
| 30 mm |
| ABS   |
| ●     |

|         |
|---------|
| Picture |
|---------|



|                       |
|-----------------------|
| Dimensions (unit: mm) |
|-----------------------|



|                          |
|--------------------------|
| Ripple                   |
| No Load Current          |
| Max. Load current        |
| Leakage Current          |
| Voltage Drop             |
| Switching Frequency      |
| Response Time            |
| Switching Hysteresis     |
| Repeat Accuracy          |
| Protection Category      |
| Operating Temperature    |
| Temperature Drift        |
| Short Circuit Protection |
| Overload Trip Point      |
| Material Active Face     |

|               |
|---------------|
| <10%          |
| <10mA         |
| 200mA         |
| <0.01mA       |
| <4.5V         |
| 100Hz         |
| 1ms/1ms       |
| <15%(Sr)      |
| <1.0%(Sr)     |
| IP67          |
| -25°C - +70°C |
| <10%(Sr)      |
| Yes           |
| 220mA         |
| PBT           |

|               |
|---------------|
| <10%          |
| <10mA         |
| 200mA         |
| <0.01mA       |
| <4.5V         |
| 100Hz         |
| 1ms/1ms       |
| <15%(Sr)      |
| <1.0%(Sr)     |
| IP67          |
| -25°C - +70°C |
| <10%(Sr)      |
| Yes           |
| 220mA         |
| PBT           |

|                 |
|-----------------|
| Connecting type |
| Weight          |

|               |
|---------------|
| M12 connector |
| approx. 170g  |

|               |
|---------------|
| M12 connector |
| approx. 170 g |

|                                  |
|----------------------------------|
| DC 2 wire 10-60V N.O.            |
| DC 2 wire 10-60V N.C.            |
| DC 4 wire 10-30V PNP (N.O.+N.C.) |
| DC 4 wire 10-30V NPN (N.O.+N.C.) |
| DC 4 wire 5-36V PNP (N.O.+N.C.)  |
| DC 4 wire 5-36V NPN (N.O.+N.C.)  |
|                                  |
|                                  |
|                                  |
|                                  |
|                                  |
|                                  |

|                  |    |
|------------------|----|
| IPS-Q4015C-A4ES4 | 7* |
| IPS-Q4015C-B4ES4 | 8  |
| IPS-Q4015P-C1ES4 | 6  |
| IPS-Q4015N-C1ES4 | 5  |
|                  |    |
|                  |    |
|                  |    |
|                  |    |
|                  |    |
|                  |    |
|                  |    |

|                  |    |
|------------------|----|
| IPN-Q4030C-A4ES4 | 7* |
| IPN-Q4030C-B4ES4 | 8  |
| IPN-Q4030P-C1ES4 | 6  |
| IPN-Q4030N-C1ES4 | 5  |
|                  |    |
|                  |    |
|                  |    |
|                  |    |
|                  |    |
|                  |    |
|                  |    |

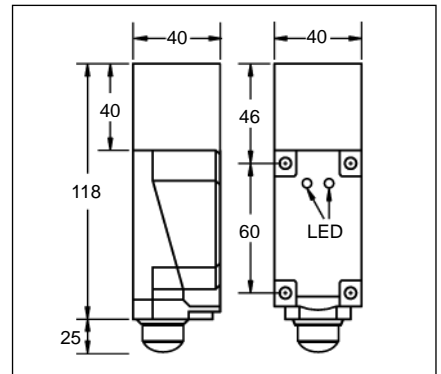
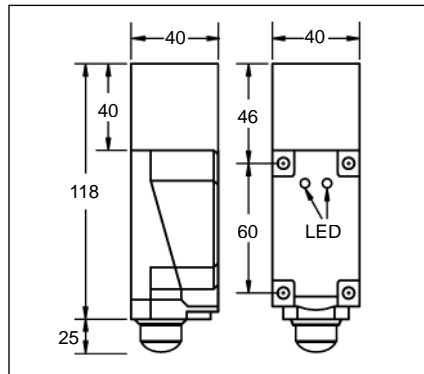
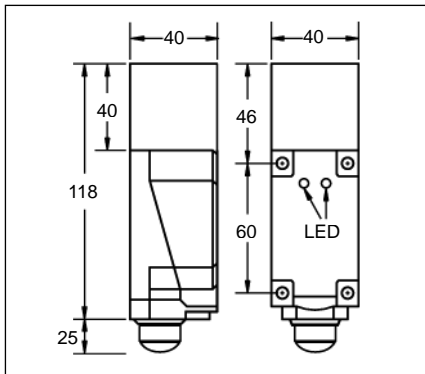
\* Wiring diagram number. Please see the relevant wiring diagram shown on Page 013 to Page 015.

# INDUCTIVE PROXIMITY SENSOR DC 2WIRE/4WIRE (10-60VDC/10-30VDC/5-36VDC)

|       |
|-------|
| Q40   |
| ●     |
| 15 mm |
| PBT   |
| ●     |

|       |
|-------|
| Q40   |
| ○     |
| 20 mm |
| PBT   |
| ●     |

|       |
|-------|
| Q40   |
| ○     |
| 30 mm |
| PBT   |
| ●     |



|              |
|--------------|
| <10%         |
| <10mA        |
| 200mA        |
| <0.01mA      |
| <4.5V        |
| 100Hz        |
| 1ms/1ms      |
| <15%(Sr)     |
| <1.0%(Sr)    |
| IP67         |
| -25°C- +70°C |
| <10%(Sr)     |
| Yes          |
| 220mA        |
| PBT          |

|              |
|--------------|
| <10%         |
| <10mA        |
| 200mA        |
| <0.01mA      |
| <4.5V        |
| 100Hz        |
| 1ms/1ms      |
| <15%(Sr)     |
| <1.0%(Sr)    |
| IP67         |
| -25°C- +70°C |
| <10%(Sr)     |
| Yes          |
| 220mA        |
| PBT          |

|              |
|--------------|
| <10%         |
| <10mA        |
| 200mA        |
| <0.01mA      |
| <4.5V        |
| 100Hz        |
| 1ms/1ms      |
| <15%(Sr)     |
| <1.0%(Sr)    |
| IP67         |
| -25°C- +70°C |
| <10%(Sr)     |
| Yes          |
| 220mA        |
| PBT          |

|              |
|--------------|
| Terminal     |
| approx.260 g |

|              |
|--------------|
| Terminal     |
| approx.260 g |

|              |
|--------------|
| Terminal     |
| approx.260 g |

|                 |    |
|-----------------|----|
| IPS-Q4015C-A4TN | 7* |
| IPS-Q4015C-B4TN | 8  |
| IPS-Q4015P-C1TN | 6  |
| IPS-Q4015N-C1TN | 5  |
|                 |    |
|                 |    |
|                 |    |
|                 |    |
|                 |    |
|                 |    |

|                 |    |
|-----------------|----|
| IPN-Q4020C-A4TN | 7* |
| IPN-Q4020C-B4TN | 8  |
| IPN-Q4020P-C1TN | 6  |
| IPN-Q4020N-C1TN | 5  |
|                 |    |
|                 |    |
|                 |    |
|                 |    |
|                 |    |
|                 |    |

|                 |    |
|-----------------|----|
| IPN-Q4030C-A4TN | 7* |
| IPN-Q4030C-B4TN | 8  |
| IPN-Q4030P-C1TN | 6  |
| IPN-Q4030N-C1TN | 5  |
|                 |    |
|                 |    |
|                 |    |
|                 |    |
|                 |    |
|                 |    |

\* Wiring diagram number. Please see the relevant wiring diagram shown on Page 013 and Page 014.