

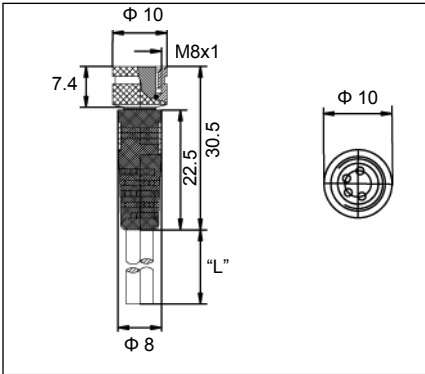
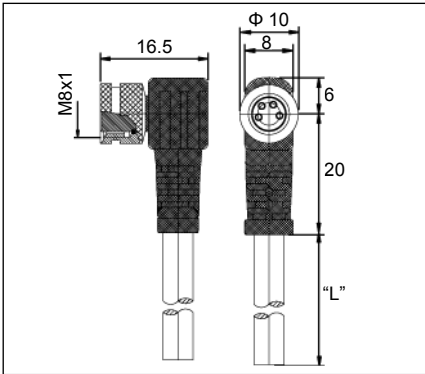
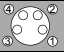



PICO-STYLE QUICK DISCONNECT CABLES

Type	Pico-style (M8 connector)	Pico-style (M8 connector)	
Feature	<ul style="list-style-type: none"> Female pico-style Screw locking with(auto)securing safety nut With moulded cable 	<ul style="list-style-type: none"> Female pico-style Right-angle style Screw locking with(auto)securing safety nut With moulded cable 	
Picture			
Dimensions (unit: mm)			
Application Class	HNE acc.to DIN 40040 (-25°C/+90°C/≤75%rF)	HNE acc.to DIN 40040 (-25°C/+90°C/≤75%rF)	
Moulded Body	TPU,self-extinguishing	TPU,self-extinguishing	
Nominal Power	4A	4A	
Nominal Voltage	60VAC/75VDC	60VAC/75VDC	
Contact	Cuzn,pre-nickeled and 0.8microns gold-plated	Cuzn,pre-nickeled and 0.8microns gold-plated	
O-Ring	Viton	Viton	
Body	TPU,self-extinguishing	TPU,self-extinguishing	
Securing Safety nut	Nickel plated brass	Nickel plated brass	
Protection	IP 67	IP 67	
Contact Resistance	≤5mΩ	≤5mΩ	
Insulation Group	C acc.to VDE 0110	C acc.to VDE 0110	
Test Voltage	1.5KV eff./60s.	1.5KV eff./60s.	
Insulation Resistance	>10 ⁹ Ω	>10 ⁹ Ω	
Poles	4	4	
Face View female			
Color Code	1=brown 2=white 3=blue 4=black	1=brown 2=white 3=blue 4=black	
Conductors	Gage	0.25mm ²	0.25mm ²
	Stranding	32 φ 0.10	32 φ 0.10
Outer Jacket	φ mm	5.0	5.0
	Material	PVC	PVC
Part-No	P-FD4/4V2	P-FA4/4V2	
Remark	Standard Length:2m,3m,5m,10m. Other cable length or cable specifications on request.	Standard Length:2m,3m,5m,10m. Other cable length or cable specifications on request.	