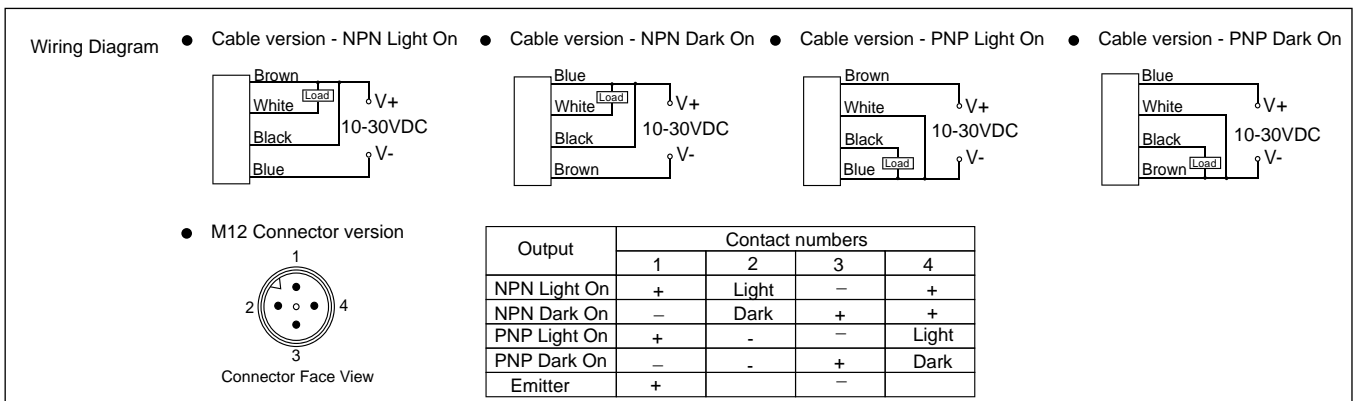
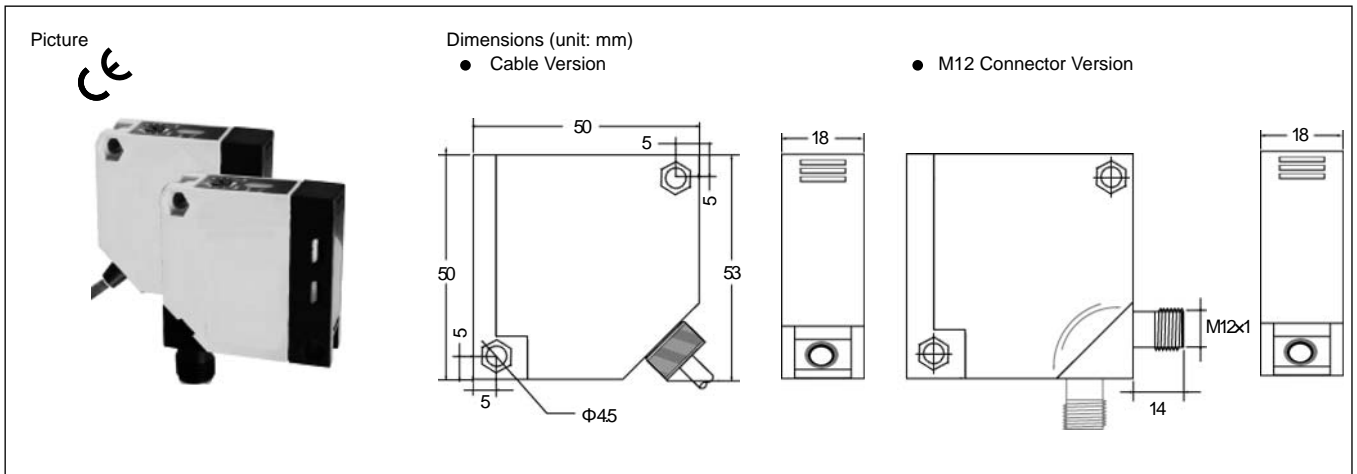


Q50 SERIES PHOTOELECTRIC SENSOR (10-30VDC)

Series	Q50	Q50
Sensing Mode	Diffuse	Diffuse
Sensing Schematic		
Sensing Range	100mm~400mm	200mm~1000mm
Supply Voltage	10-30VDC (±10%)	10-30VDC (±10%)
Absorption At 30VDC	40mA	40mA
Max. Load current	200mA	200mA
Voltage Drop (Sensor ON)	≤2.0V (I=100mA)	≤2.0V (I=100mA)
Switching Hysteresis	<10%(Sr)	<10%(Sr)
Output	PNP or NPN	PNP or NPN
Output Operation	Light On or Dark On	Light On or Dark On
Response Time	5ms	5ms
Start Up Delay	100ms	100ms
Emitting Element	Infrared (880nm)	Infrared (880nm)
Protection Category	IP65	IP65
Operating Temperature	-25°C - +55°C	-25°C - +55°C
Light Immunity	>10.000Lux	>10.000Lux
Sensitivity Adjustment	Trimmer 1 turn	Trimmer 1 turn
Short Circuit Protection	Yes	Yes
Reverse Polarity Protection	Yes	Yes
Indicator	Yellow LED: output; Green LED: Power Supply	Yellow LED: output; Green LED: Power Supply
Weight	approx.165 g	approx.165 g
Housing Material	PBT	PBT
2m PVC Cable (4.0φ 4x0.25)	Diffuse	Diffuse
	PPQ50-D04D-D1V2	PPQ50-D1D-D1V2
M12 Connector	Diffuse	Diffuse
	PPQ50-D04D-D1E4	PPQ50-D1D-D1E4



Q50 SERIES PHOTOELECTRIC SENSOR (10-30VDC)

Series	Q50	Q50
Sensing Mode	Diffuse	Diffuse
Sensing Schematic		
Sensing Range	200mm~1800mm	300mm~2000mm
Supply Voltage	10-30VDC (±10%)	10-30VDC (±10%)
Absorption At 30VDC	40mA	40mA
Max. Load current	200mA	200mA
Voltage Drop (Sensor ON)	≤2.0V (I=100mA)	≤2.0V (I=100mA)
Switching Hysteresis	<10%(Sr)	<10%(Sr)
Output	PNP or NPN	PNP or NPN
Output Operation	Light On or Dark On	Light On or Dark On
Response Time	5ms	5ms
Start Up Delay	100ms	100ms
Emitting Element	Infrared (880nm)	Infrared (880nm)
Protection Category	IP65	IP65
Operating Temperature	-25°C - +55°C	-25°C - +55°C
Light Immunity	>10.000Lux	>10.000Lux
Sensitivity Adjustment	Trimmer 1 turn	Trimmer 1 turn
Short Circuit Protection	Yes	Yes
Reverse Polarity Protection	Yes	Yes
Indicator	Yellow LED: output; Green LED: Power Supply	Yellow LED: output; Green LED: Power Supply
Weight	approx.165 g	approx.165 g
Housing Material	PBT	PBT
2m PVC Cable (4.0φ 4x0.25)	Diffuse	Diffuse
	PPQ50-D18D-D1V2	PPQ50-D2D-D1V2
M12 Connector	Diffuse	Diffuse
	PPQ50-D18D-D1E4	PPQ50-D2D-D1E4

