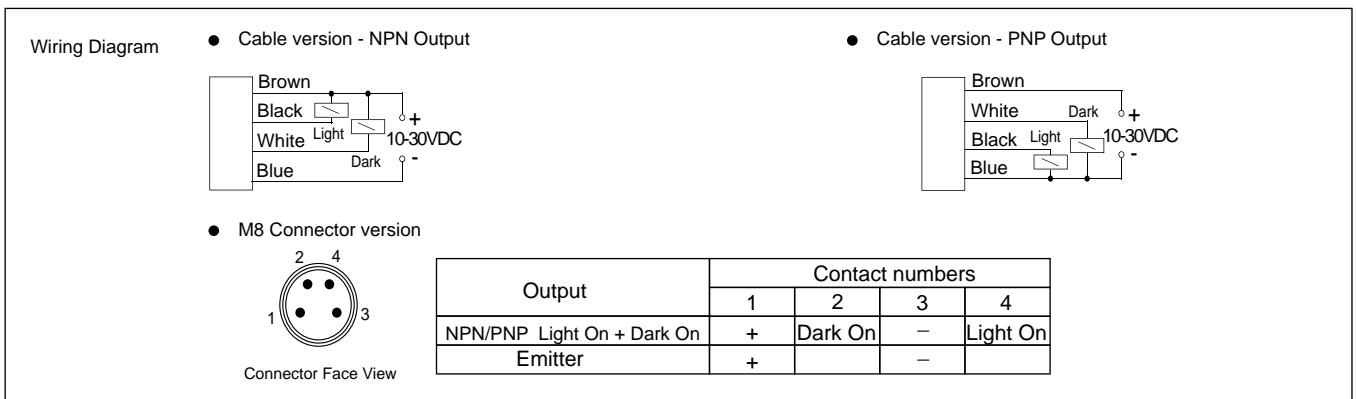
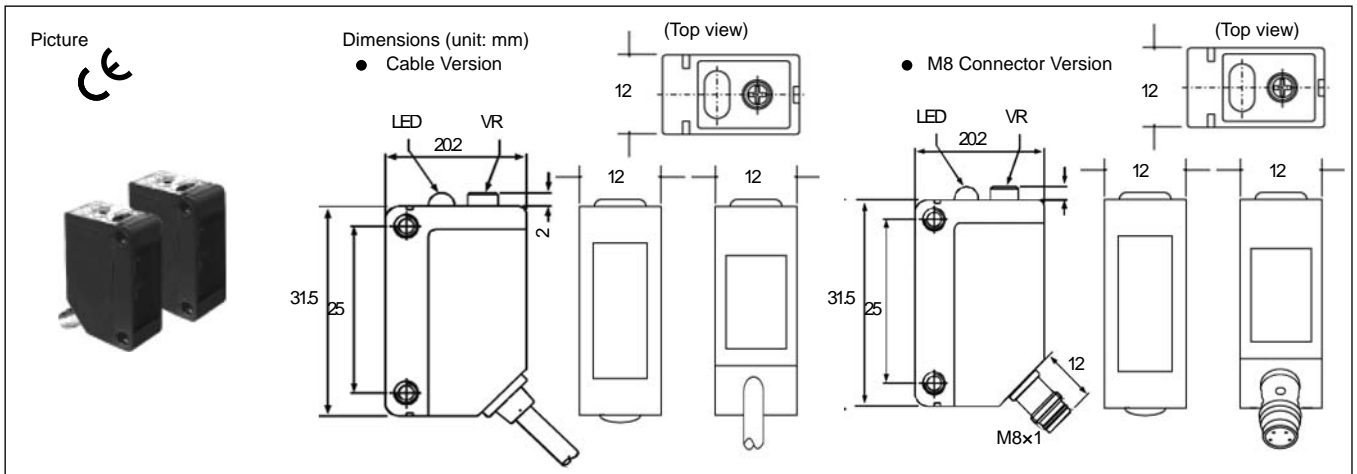



Q31 SERIES PHOTOELECTRIC SENSOR (10-30VDC)

Series	Q31	Q31	
Sensing Mode	Diffuse	Diffuse	
Sensing Schematic			
Sensing Range	110mm	350mm	
Supply Voltage	10-30VDC (±10%)	10-30VDC (±10%)	
Absorption At 30VDC	<35mA	<35mA	
Max. Load current	100mA	100mA	
Voltage Drop (Sensor ON)	≤2.0V (I=100mA)	≤2.0V (I=100mA)	
Switching Hysteresis	<15%(Sr)	<15%(Sr)	
Output	PNP or NPN	PNP or NPN	
Output Operation	Light On & Dark On	Light On & Dark On	
Response Time	1ms	1ms	
Start Up Delay	300ms	300ms	
Emitting Element	Infrared (880nm)	Infrared (880nm)	
Protection Category	IP67	IP67	
Operating Temperature	-25°C - +55°C	-25°C - +55°C	
Light Immunity	>10.000Lux	>10.000Lux	
Sensitivity Adjustment	Trimmer 1 turn	Trimmer 1 turn	
Short Circuit Protection	Yes	Yes	
Reverse Polarity Protection	Yes	Yes	
Indicator	Yellow LED: output; Green LED: Power Supply	Yellow LED: output; Green LED: Power Supply	
Sensing Object	10x10cm white paper	10x10cm white paper	
Housing Material	ABS	ABS	
2m PVC Cable (3.0φ 4x0.15)	NPN Light On & Dark On	PPQ31-D011N-C1V2	PPQ31-D035N-C1V2
	PNP Light On & Dark On	PPQ31-D011P-C1V2	PPQ31-D035P-C1V2
M8 Connector	NPN Light On & Dark On	PPQ31-D011N-C1P4	PPQ31-D035N-C1P4
	PNP Light On & Dark On	PPQ31-D011P-C1P4	PPQ31-D035P-C1P4



Q31 SERIES PHOTOELECTRIC SENSOR (10-30VDC)

Series	Q31	
Sensing Mode	Diffuse	
Sensing Schematic		
Sensing Range	800mm	
Supply Voltage	10-30VDC ($\pm 10\%$)	
Absorption At 30VDC	<35mA	
Max. Load current	100mA	
Voltage Drop (Sensor ON)	$\leq 2.0V$ ($I=100mA$)	
Switching Hysteresis	<15%(Sr)	
Output	PNP or NPN	
Output Operation	Light On & Dark On	
Response Time	1ms	
Start Up Delay	300ms	
Emitting Element	Infrared (880nm)	
Protection Category	IP67	
Operating Temperature	-25°C - +55°C	
Light Immunity	>10.000Lux	
Sensitivity Adjustment	Trimmer 1 turn	
Short Circuit Protection	Yes	
Reverse Polarity Protection	Yes	
Indicator	Yellow LED: output; Green LED: Power Supply	
Sensing Object	20x20cm white paper	
Housing Material	ABS	
2m PVC Cable (3.0 ϕ 4x0.15)	NPN Light On & Dark On	PPQ31-D08N-C1V2
	PNP Light On & Dark On	PPQ31-D08P-C1V2
M8 Connector	NPN Light On & Dark On	PPQ31-D08N-C1P4
	PNP Light On & Dark On	PPQ31-D08P-C1P4

