

HIGH TEMPERATURE INDUCTIVE PROXIMITY SENSOR (10-30VDC)

Diameter
● Shielded ○ non-Shielded
Switching Distance, Sn: mm
Housing Material
● With LED ○ Without LED

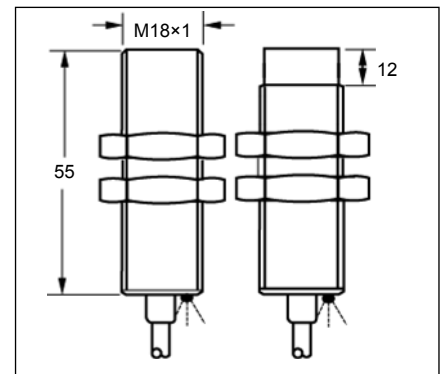
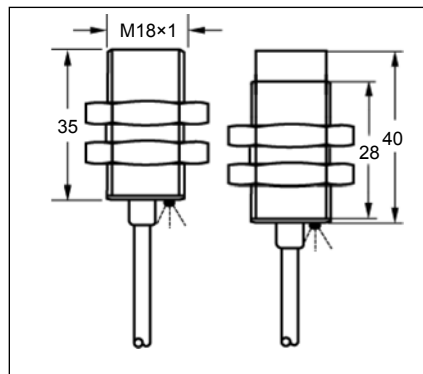
M18	
●	○
5 mm	8 mm
Nickel plated brass	
●	

M18	
●	○
5 mm	8 mm
Nickel plated brass	
●	

Picture



Dimensions (unit: mm)



Ripple	<10%
No Load Current	<10mA
Max. Load current	150mA
Leakage Current	<0.01mA
Voltage Drop	<1.5V
Switching Frequency	1KHz 500Hz
Response Time	0.2ms/0.2ms 0.5ms/0.5ms
Switching Hysteresis	<15%(Sr)
Repeat Accuracy	<1.0%(Sr)
Protection Category	IP67
Operating Temperature	-25°C- +110°C
Temperature Drift	<10%(Sr)
Short Circuit Protection	Yes
Overload Trip Point	220mA
Material Active Face	PTFE

<10%
<10mA
150mA
<0.01mA
<1.5V
1KHz 500Hz
0.2ms/0.2ms 0.5ms/0.5ms
<15%(Sr)
<1.0%(Sr)
IP67
-25°C- +110°C
<10%(Sr)
Yes
220mA
PTFE

<10%
<10mA
150mA
<0.01mA
<1.5V
1KHz 500Hz
0.2ms/0.2ms 0.5ms/0.5ms
<15%(Sr)
<1.0%(Sr)
IP67
-25°C- +110°C
<10%(Sr)
Yes
220mA
PTFE

Connecting type
Weight

2M Silicon Cable (4.0 φ 3x0.25)
approx.130 g

2M Silicon Cable (4.0 φ 3x0.25)
approx.150 g

DC 3 wire 10-30V NPN N.O.
DC 3 wire 10-30V NPN N.C.
DC 3 wire 10-30V PNP N.O.
DC 3 wire 10-30V PNP N.C.
DC 3 wire 10-55V NPN N.O.
DC 3 wire 10-55V NPN N.C.
DC 3 wire 10-55V PNP N.O.
DC 3 wire 10-55V PNP N.C.
DC 3 wire 5-36 V NPN N.O.
DC 3 wire 5-36 V NPN N.C.
DC 3 wire 5-36 V PNP N.O.
DC 3 wire 5-36 V PNP N.C.

IBS-M1805N-A1SS2/T	1*	IBN-M1808N-A1SS2/T
IBS-M1805N-B1SS2/T	2	IBN-M1808N-B1SS2/T
IBS-M1805P-A1SS2/T	3	IBN-M1808P-A1SS2/T
IBS-M1805P-B1SS2/T	4	IBN-M1808P-B1SS2/T

IBS-M1805N-A1SN2/T	1*	IBN-M1808N-A1SN2/T
IBS-M1805N-B1SN2/T	2	IBN-M1808N-B1SN2/T
IBS-M1805P-A1SN2/T	3	IBN-M1808P-A1SN2/T
IBS-M1805P-B1SN2/T	4	IBN-M1808P-B1SN2/T

* Wiring diagram number. Please see the relevant wiring diagram shown on Page 013 and Page 014.