

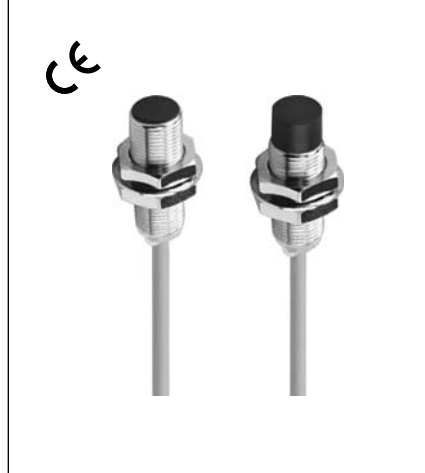
LONG RANGE INDUCTIVE PROXIMITY SENSOR (10-30VDC/10-55VDC/5-36VDC)

Diameter
● Shielded ○ non-Shielded
Switching Distance, Sn: mm
Housing Material
● With LED ○ Without LED

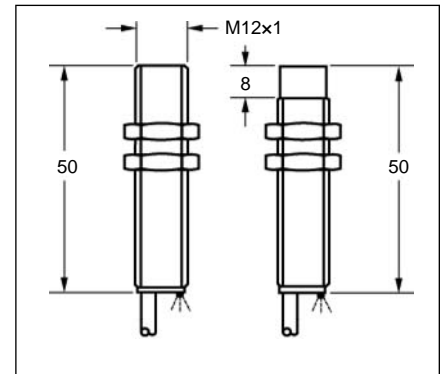
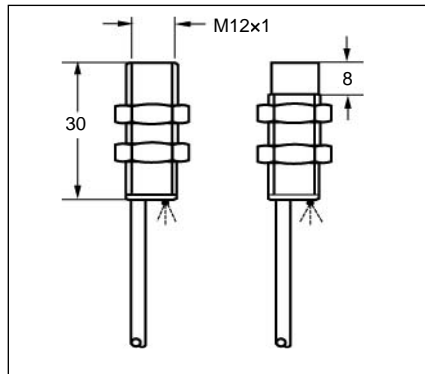
M12	
●	○
6 mm	10 mm
Nickel plated brass	
●	

M12	
●	○
6 mm	10 mm
Nickel plated brass	
●	

Picture



Dimensions (unit: mm)



Ripple	<10%
No Load Current	<10mA
Max. Load current	200mA
Leakage Current	<0.01mA
Voltage Drop	<2.0V
Switching Frequency	800Hz 400Hz
Response Time	0.2ms/0.2ms 0.5ms/0.5ms
Switching Hysteresis	<15%(Sr)
Repeat Accuracy	<1.0%(Sr)
Protection Category	IP67
Operating Temperature	-25°C - +70°C
Temperature Drift	<10%(Sr)
Short Circuit Protection	Yes
Overload Trip Point	220mA
Material Active Face	POM PBT

<10%
<10mA
200mA
<0.01mA
<2.0V
800Hz 400Hz
0.2ms/0.2ms 0.5ms/0.5ms
<15%(Sr)
<1.0%(Sr)
IP67
-25°C - +70°C
<10%(Sr)
Yes
220mA
POM PBT

<10%
<10mA
200mA
<0.01mA
<2.0V
800Hz 400Hz
0.2ms/0.2ms 0.5ms/0.5ms
<15%(Sr)
<1.0%(Sr)
IP67
-25°C - +70°C
<10%(Sr)
Yes
220mA
POM PBT

Connecting type	2M Cable (4.0 φ 3x0.25)
Weight	approx.60 g

2M Cable (4.0 φ 3x0.25)
approx.60 g

2M Cable (4.0 φ 3x0.25)
approx.70 g

DC 3 wire 10-30V NPN N.O.
DC 3 wire 10-30V NPN N.C.
DC 3 wire 10-30V PNP N.O.
DC 3 wire 10-30V PNP N.C.
DC 3 wire 10-55V NPN N.O.
DC 3 wire 10-55V NPN N.C.
DC 3 wire 10-55V PNP N.O.
DC 3 wire 10-55V PNP N.C.
DC 3 wire 5-36 V NPN N.O.
DC 3 wire 5-36 V NPN N.C.
DC 3 wire 5-36 V PNP N.O.
DC 3 wire 5-36 V PNP N.C.

IBS-M1206N-A1VS2	1*	IBN-M1210N-A1VS2
IBS-M1206N-B1VS2	2	IBN-M1210N-B1VS2
IBS-M1206P-A1VS2	3	IBN-M1210P-A1VS2
IBS-M1206P-B1VS2	4	IBN-M1210P-B1VS2

IBS-M1206N-A1VN2	1*	IBN-M1210N-A1VN2
IBS-M1206N-B1VN2	2	IBN-M1210N-B1VN2
IBS-M1206P-A1VN2	3	IBN-M1210P-A1VN2
IBS-M1206P-B1VN2	4	IBN-M1210P-B1VN2

* Wiring diagram number. Please see the relevant wiring diagram shown on Page 013 and Page 014.

LONG RANGE INDUCTIVE PROXIMITY SENSOR (10-30VDC/10-55VDC/5-36VDC)

Diameter
● Shielded ○ non-Shielded
Switching Distance, Sn: mm
Housing Material
● With LED ○ Without LED

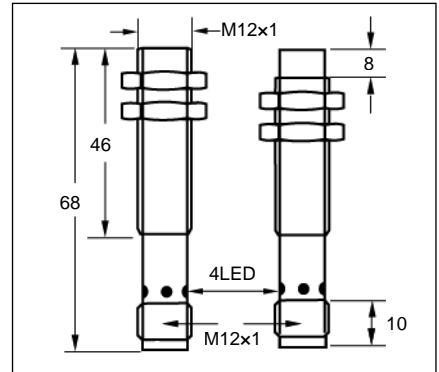
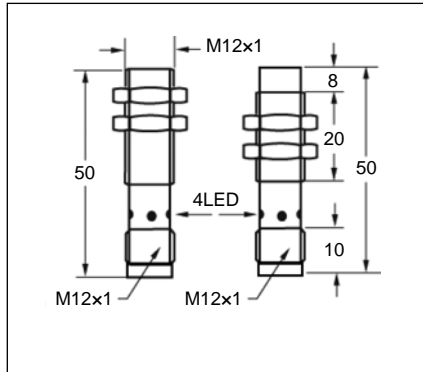
M12	
●	○
6 mm	10 mm
Nickel plated brass	
●	

M12	
●	○
6 mm	10 mm
Nickel plated brass	
●	

Picture



Dimensions (unit: mm)



Ripple	<10%
No Load Current	<10mA
Max. Load current	200mA
Leakage Current	<0.01mA
Voltage Drop	<2.0V
Switching Frequency	800Hz 400Hz
Response Time	0.2ms/0.2ms 0.5ms/0.5ms
Switching Hysteresis	<15%(Sr)
Repeat Accuracy	<1.0%(Sr)
Protection Category	IP67
Operating Temperature	-25°C - +70°C
Temperature Drift	<10%(Sr)
Short Circuit Protection	Yes
Overload Trip Point	220mA
Material Active Face	POM PBT

<10%
<10mA
200mA
<0.01mA
<2.0V
800Hz 400Hz
0.2ms/0.2ms 0.5ms/0.5ms
<15%(Sr)
<1.0%(Sr)
IP67
-25°C - +70°C
<10%(Sr)
Yes
220mA
POM PBT

<10%
<10mA
200mA
<0.01mA
<2.0V
800Hz 400Hz
0.2ms/0.2ms 0.5ms/0.5ms
<15%(Sr)
<1.0%(Sr)
IP67
-25°C - +70°C
<10%(Sr)
Yes
220mA
POM PBT

Connecting type
Weight

M12 connector
approx.25 g

M12 connector
approx.30 g

DC 3 wire 10-30V NPN N.O.
DC 3 wire 10-30V NPN N.C.
DC 3 wire 10-30V PNP N.O.
DC 3 wire 10-30V PNP N.C.
DC 3 wire 10-55V NPN N.O.
DC 3 wire 10-55V NPN N.C.
DC 3 wire 10-55V PNP N.O.
DC 3 wire 10-55V PNP N.C.
DC 3 wire 5-36 V NPN N.O.
DC 3 wire 5-36 V NPN N.C.
DC 3 wire 5-36 V PNP N.O.
DC 3 wire 5-36 V PNP N.C.

IBS-M1206N-A1ES4	1*	IBN-M1210N-A1ES4
IBS-M1206N-B1ES4	2	IBN-M1210N-B1ES4
IBS-M1206P-A1ES4	3	IBN-M1210P-A1ES4
IBS-M1206P-B1ES4	4	IBN-M1210P-B1ES4

IBS-M1206N-A1EN4	1*	IBN-M1210N-A1EN4
IBS-M1206N-B1EN4	2	IBN-M1210N-B1EN4
IBS-M1206P-A1EN4	3	IBN-M1210P-A1EN4
IBS-M1206P-B1EN4	4	IBN-M1210P-B1EN4

* Wiring diagram number. Please see the relevant wiring diagram shown on Page 013 to Page 015.