

# EXTENDED RANGE PROXIMITY SENSOR DC 2WIRE/4WIRE (10-60VDC/10-30VDC)

Diameter
● Shielded    ○ non-Shielded
Switching Distance, Sn: mm
Housing Material
● With LED    ○ Without LED

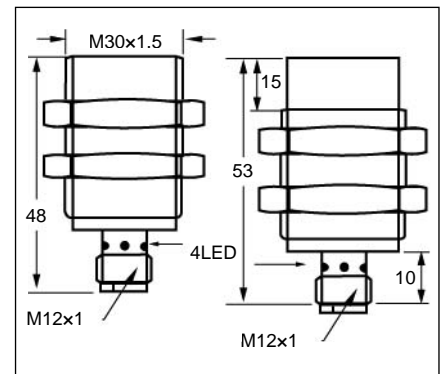
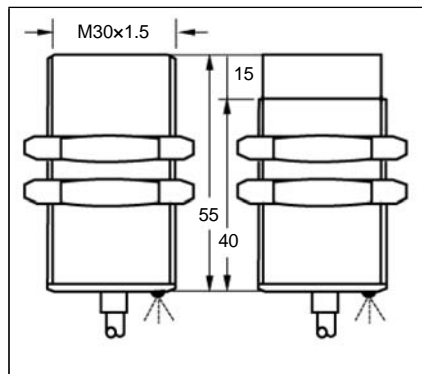
M30	
●	○
16 mm	25 mm
Nickel plated brass	
●	

M30	
●	○
16 mm	25 mm
Nickel plated brass	
●	

Picture
---------



Dimensions (unit: mm)
-----------------------



Ripple
No Load Current
Max. Load current
Leakage Current
Voltage Drop
Switching Frequency
Response Time
Switching Hysteresis
Repeat Accuracy
Protection Category
Operating Temperature
Temperature Drift
Short Circuit Protection
Overload Trip Point
Material Active Face

<10%
<10mA
200mA
<0.01mA
<1.5V
150Hz    100Hz
1ms/1ms    1ms/1ms
<15%(Sr)
<1.0%(Sr)
IP67
-25°C - +70°C
<10%(Sr)
Yes
220mA
PBT

<10%
<10mA
200mA
<0.01mA
<1.5V
150Hz    100Hz
1ms/1ms    1ms/1ms
<15%(Sr)
<1.0%(Sr)
IP67
-25°C - +70°C
<10%(Sr)
Yes
220mA
PBT

Connecting type
Weight

2M Cable (5.0 φ 2x0.5 or 4x0.25)
approx.215 g

M12 connector
approx.120 g

DC 2 wire 10-60V N.O.
DC 2 wire 10-60V N.C.
DC 4 wire 10-30V PNP (N.O.+N.C.)
DC 4 wire 10-30V NPN (N.O.+N.C.)

IBS-M3016C-A4VN2	7*	ISN-M3025C-A4VN2
IBS-M3016C-B4VN2	8	ISN-M3025C-B4VN2
IBS-M3016P-C1VN2	6	ISN-M3025P-C1VN2
IBS-M3016N-C1VN2	5	ISN-M3025N-C1VN2

IBS-M3016C-A4ES4	7*	ISN-M3025C-A4ES4
IBS-M3016C-B4ES4	8	ISN-M3025C-B4ES4
IBS-M3016P-C1ES4	6	ISN-M3025P-C1ES4
IBS-M3016N-C1ES4	5	ISN-M3025N-C1ES4

\* Wiring diagram number. Please see the relevant wiring diagram shown on Page 013 to Page 015.

