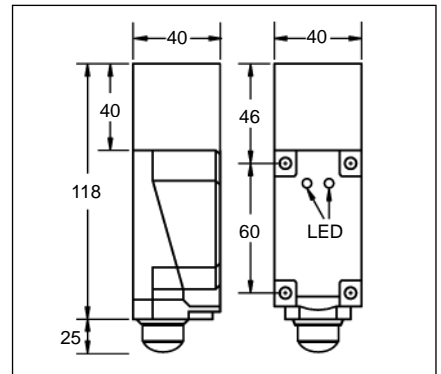
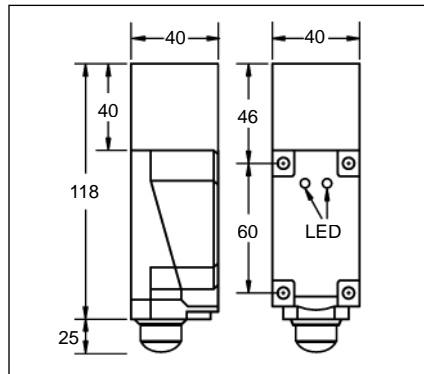
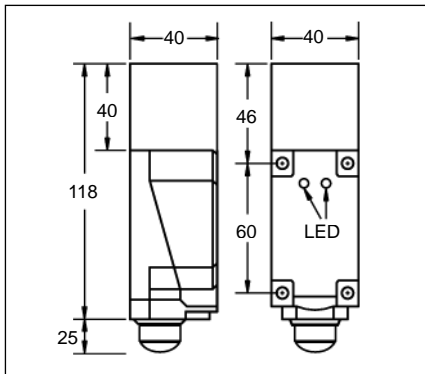


AC INDUCTIVE PROXIMITY SENSOR (20-250VAC)

Q40
●
15 mm
PBT
●

Q40
○
20 mm
PBT
●

Q40
○
30 mm
PBT
●



<2.5mA
400mA
<2.5mA
5A(20ms)
5mA
<8VAC AT 400mA
<25Hz
10ms/10ms
<15%(Sr)
<1.0%(Sr)
IP67
-25°C - +70°C
<10%(Sr)
NO
PBT

<2.5mA
400mA
<2.5mA
5A(20ms)
5mA
<8VAC AT 400mA
<25Hz
10ms/10ms
<15%(Sr)
<1.0%(Sr)
IP67
-25°C - +70°C
<10%(Sr)
NO
PBT

<2.5mA
400mA
<2.5mA
5A(20ms)
5mA
<8VAC AT 400mA
<25Hz
10ms/10ms
<15%(Sr)
<1.0%(Sr)
IP67
-25°C - +70°C
<10%(Sr)
NO
PBT

Terminal
approx.265 g

Terminal
approx.265 g

Terminal
approx.265 g

IPS-Q4015A-A7TN	9*
IPS-Q4015A-B7TN	10
IPS-Q4015A-C7TN	17

IPN-Q4020A-A7TN	9*
IPN-Q4020A-B7TN	10
IPN-Q4020A-C7TN	17

IPN-Q4030A-A7TN	9*
IPN-Q4030A-B7TN	10
IPN-Q4030A-C7TN	17

* Wiring diagram number. Please see the relevant wiring diagram shown on Page 013 and Page 014.