

# INDUCTIVE PROXIMITY SENSOR DC 2WIRE/4WIRE (10-60VDC/10-30VDC/5-36VDC)

Diameter
● Shielded    ○ non-Shielded
Switching Distance, Sn: mm
Housing Material
● With LED    ○ Without LED

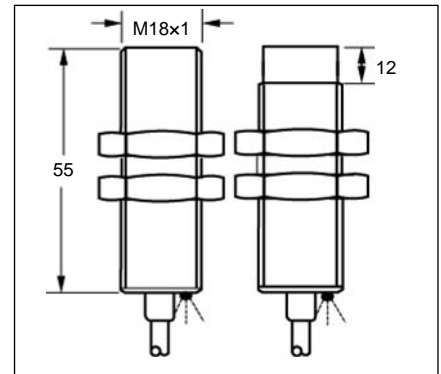
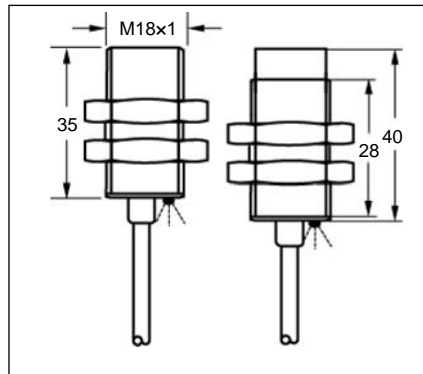
M18	
●	○
5 mm	8 mm
Nickel plated brass	
●	

M18	
●	○
5 mm	8 mm
Nickel plated brass	
●	

Picture
---------



Dimensions (unit: mm)
-----------------------



Ripple
No Load Current
Max. Load current
Leakage Current
Voltage Drop
Switching Frequency
Response Time
Switching Hysteresis
Repeat Accuracy
Protection Category
Operating Temperature
Temperature Drift
Short Circuit Protection
Overload Trip Point
Material Active Face

<10%
<10mA
200mA
<0.01mA
<4.5V
1KHz    500KHz
0.2ms/0.2ms    0.5ms/0.5ms
<15%(Sr)
<1.0%(Sr)
IP67
-25°C - +70°C
<10%(Sr)
Yes
220mA
PBT

<10%
<10mA
200mA
<0.01mA
<4.5V
1KHz    500Hz
0.2ms/0.2ms    0.5ms/0.5ms
<15%(Sr)
<1.0%(Sr)
IP67
-25°C - +70°C
<10%(Sr)
Yes
220mA
PBT

Connecting type
Weight

2M Cable (5.0 φ 2x0.5 or 4x0.25)
approx.135 g

2M Cable (5.0 φ 2x0.5 or 4x0.25)
approx.150 g

DC 2 wire 10-60V N.O.
DC 2 wire 10-60V N.C.
DC 4 wire 10-30V PNP (N.O.+N.C.)
DC 4 wire 10-30V NPN (N.O.+N.C.)
DC 4 wire 5-36V PNP (N.O.+N.C.)
DC 4 wire 5-36V NPN (N.O.+N.C.)

IBS-M1805C-A4VS2	7*	ISN-M1808C-A4VS2
IBS-M1805C-B4VS2	8	ISN-M1808C-B4VS2
IBS-M1805P-C1VS2	6	ISN-M1808P-C1VS2
IBS-M1805N-C1VS2	5	ISN-M1808N-C1VS2
IBS-M1805P-C2VS2	6	ISN-M1808P-C2VS2
IBS-M1805N-C2VS2	5	ISN-M1808N-C2VS2

IBS-M1805C-A4VN2	7*	ISN-M1808C-A4VN2
IBS-M1805C-B4VN2	8	ISN-M1808C-B4VN2
IBS-M1805P-C1VN2	6	ISN-M1808P-C1VN2
IBS-M1805N-C1VN2	5	ISN-M1808N-C1VN2
IBS-M1805P-C2VN2	6	ISN-M1808P-C2VN2
IBS-M1805N-C2VN2	5	ISN-M1808N-C2VN2

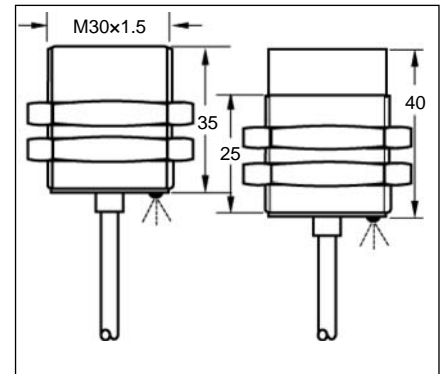
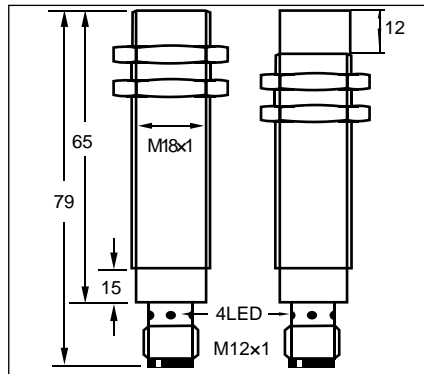
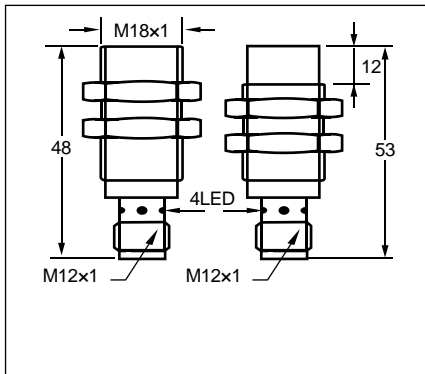
\* Wiring diagram number. Please see the relevant wiring diagram shown on Page 013 to Page 015.

# INDUCTIVE PROXIMITY SENSOR DC 2WIRE/4WIRE (10-60VDC/10-30VDC/5-36VDC)

M18	
●	○
5 mm	8 mm
Nickel plated brass	
●	

M18	
●	○
5 mm	8 mm
Nickel plated brass	
●	

M30	
●	○
10 mm	15 mm
Nickel plated brass	
●	



<10%	
<10mA	
200mA	
<0.01mA	
<4.5V	
1KHz	500Hz
0.2ms/0.2ms	0.5ms/0.5ms
<15%(Sr)	
<1.0%(Sr)	
IP67	
-25°C - +70°C	
<10%(Sr)	
Yes	
220mA	
PBT	

<10%	
<10mA	
200mA	
<0.01mA	
<4.5V	
1KHz	500Hz
0.2ms/0.2ms	0.5ms/0.5ms
<15%(Sr)	
<1.0%(Sr)	
IP67	
-25°C - +70°C	
<10%(Sr)	
Yes	
220mA	
PBT	

<10%	
<10mA	
200mA	
<0.01mA	
<4.5V	
300Hz	150Hz
0.5ms/0.5ms	1ms/1ms
<15%(Sr)	
<1.0%(Sr)	
IP67	
-25°C - +70°C	
<10%(Sr)	
Yes	
220mA	
PBT	

M12 connector
approx.52 g

M12 connector
approx.95 g

2M Cable (5.0 φ 2x0.5 or 4x0.25)
approx.182 g

IBS-M1805C-A4ES4	7*	IBN-M1808C-A4ES4
IBS-M1805C-B4ES4	8	IBN-M1808C-B4ES4
IBS-M1805P-C1ES4	6	IBN-M1808P-C1ES4
IBS-M1805N-C1ES4	5	IBN-M1808N-C1ES4
IBS-M1805P-C2ES4	6	IBN-M1808P-C2ES4
IBS-M1805N-C2ES4	5	IBN-M1808N-C2ES4

IBS-M1805C-A4EN4	7*	IBN-M1808C-A4EN4
IBS-M1805C-B4EN4	8	IBN-M1808C-B4EN4
IBS-M1805P-C1EN4	6	IBN-M1808P-C1EN4
IBS-M1805N-C1EN4	5	IBN-M1808N-C1EN4
IBS-M1805P-C2EN4	6	IBN-M1808P-C2EN4
IBS-M1805N-C2EN4	5	IBN-M1808N-C2EN4

IBS-M3010C-A4VS2	7*	IBN-M3015C-A4VS2
IBS-M3010C-B4VS2	8	IBN-M3015C-B4VS2
IBS-M3010P-C1VS2	6	IBN-M3015P-C1VS2
IBS-M3010N-C1VS2	5	IBN-M3015N-C1VS2
IBS-M3010P-C2VS2	6	IBN-M3015P-C2VS2
IBS-M3010N-C2VS2	5	IBN-M3015N-C2VS2

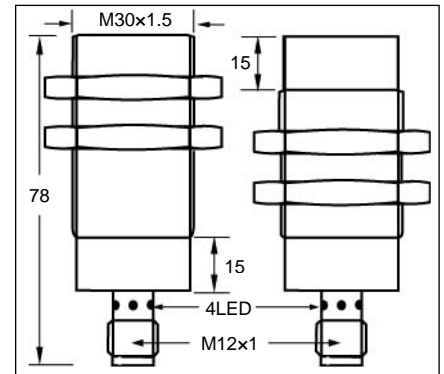
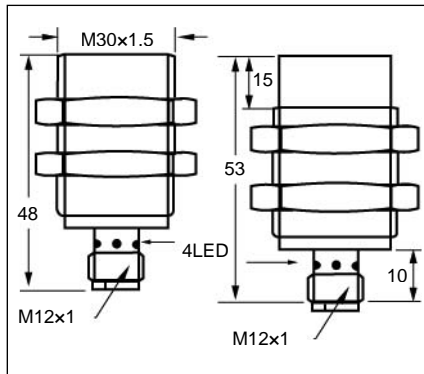
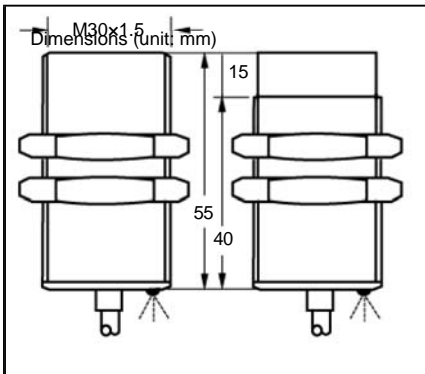
\* Wiring diagram number. Please see the relevant wiring diagram shown on Page 013 and Page 014.

# INDUCTIVE PROXIMITY SENSOR DC 2WIRE/4WIRE (10-60VDC/10-30VDC/5-36VDC)

Diameter M30	
●	○
Switching Distance, Sr: mm	15 mm
Nickel plated brass	
● With LED	○ Without LED

M30	
●	○
10 mm	15 mm
Nickel plated brass	
●	

M30	
●	○
10 mm	15 mm
Nickel plated brass	
●	



<10%
No Load Current
10mA
200mA
Leakage Current
<0.01mA
<4.5V
Switching Frequency
300Hz
150KHz
0.5ms/0.5ms
1ms/1ms
Switching Hysteresis(Sr)
<15%(Sr)
<1.0%(Sr)
Protection Category
IP67
-25°C - +70°C
Temperature Drift(%/Sr)
<10%(Sr)
Yes
Overload Trip
220mA
PBT

<10%
<10mA
200mA
<0.01mA
<4.5V
300Hz
150Hz
0.5ms/0.5ms
1ms/1ms
<15%(Sr)
<1.0%(Sr)
IP67
-25°C - +70°C
<10%(Sr)
Yes
220mA
PBT

<10%
<10mA
200mA
<0.01mA
<4.5V
300Hz
150Hz
0.5ms/0.5ms
1ms/1ms
<15%(Sr)
<1.0%(Sr)
IP67
-25°C - +70°C
<10%(Sr)
Yes
220mA
PBT

2M Cable (5.0 φ 2x0.5 or 4x0.25)
Weight approx.215 g

M12 connector
approx.120 g

M12 connector
approx.185 g

IBS-M3010C-A4VN2	7*	ISN-M3015C-A4VN2
IBS-M3010C-B4VN2	8	ISN-M3015C-B4VN2
IBS-M3010P-C1VN2	6	ISN-M3015P-C1VN2
IBS-M3010N-C1VN2	5	ISN-M3015N-C1VN2
IBS-M3010P-C2VN2	6	ISN-M3015P-C2VN2
IBS-M3010N-C2VN2	5	ISN-M3015N-C2VN2

IBS-M3010C-A4ES4	7*	ISN-M3015C-A4ES4
IBS-M3010C-B4ES4	8	ISN-M3015C-B4ES4
IBS-M3010P-C1ES4	6	ISN-M3015P-C1ES4
IBS-M3010N-C1ES4	5	ISN-M3015N-C1ES4
IBS-M3010P-C2ES4	6	ISN-M3015P-C2ES4
IBS-M3010N-C2ES4	5	ISN-M3015N-C2ES4

IBS-M3010C-A4EN4	7*	IBN-M3015C-A4EN4
IBS-M3010C-B4EN4	8	IBN-M3015C-B4EN4
IBS-M3010P-C1EN4	6	IBN-M3015P-C1EN4
IBS-M3010N-C1EN4	5	IBN-M3015N-C1EN4
IBS-M3010P-C2EN4	6	IBN-M3015P-C2EN4
IBS-M3010N-C2EN4	5	IBN-M3015N-C2EN4

\* Wiring diagram number. Please see the relevant wiring diagram shown on Page 013 to Page 015.