

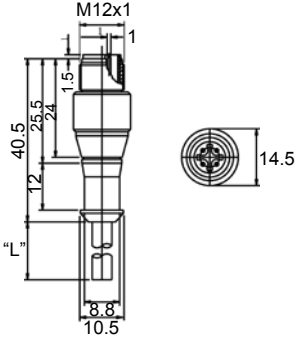
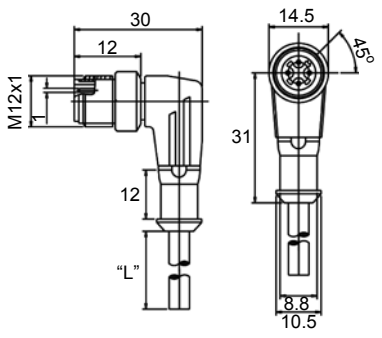




EURO-STYLE QUICK DISCONNECT CABLES

Type	Euro-style (M12 connector)	Euro-style (M12 connector)
Feature	<ul style="list-style-type: none"> • Male Euro-style • Screw locking with (auto)securing safety nut • With moulded cable 	<ul style="list-style-type: none"> • Male Euro-style • Right-angle style • Screw locking with (auto)securing safety nut • With moulded cable
Picture		
Dimensions (unit: mm)		
Application Class	HNE acc.to DIN 40040 (-25°C/+90°C/≤75%rF)	HNE acc.to DIN 40040 (-25°C/+90°C/≤75%rF)
Moulded Body	TPU, self-extinguishing	TPU, self-extinguishing
Nominal Power	4A	4A
Nominal Voltage	250VAC/300VDC	250VAC/300VDC
Contact	Cuzn, pre-nickeled and 0.8microns gold-plated	Cuzn, pre-nickeled and 0.8microns gold-plated
O-Ring	Viton	Viton
Body	TPU, self-extinguishing	TPU, self-extinguishing
Securing Safety nut	Nickel plated brass	Nickel plated brass
Protection	IP 68	IP 68
Contact Resistance	≤5mΩ	≤5mΩ
Insulation Group	C acc.to VDE 0110	C acc.to VDE 0110
Test Voltage	2KV eff./60s.	2KV eff./60s.
Insulation Resistance	>10 ⁹ Ω	>10 ⁹ Ω
Pins	4	4
Face View female		
Color Code	1=brown 2=white 3=blue 4=black	1=brown 2=white 3=blue 4=black
Conductors	Gage	0.25mm ²
	Stranding	32 φ 0.10
Outer Jacket	φ mm	5.0
	Material	PVC
Part-No	E-MD4/4V2	E-MA4/4V2
Remark	Standard Length: 2m, 3m, 5m, 10m. Other cable length or cable specifications on request.	Standard Length: 2m, 3m, 5m, 10m. Other cable length or cable specifications on request.