

AC/DC CAPACITIVE PROXIMITY SENSOR (20-250VAC/DC)

Diameter
● Shielded ○ non-Shielded
Switching Distance, Sn: mm
Housing Material
● With LED ○ Without LED

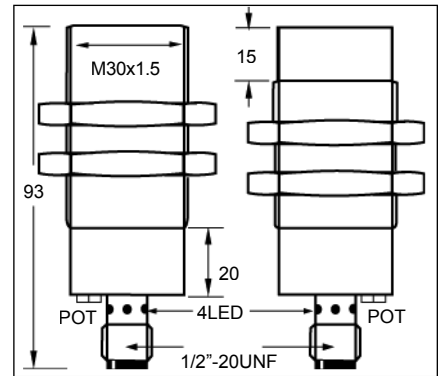
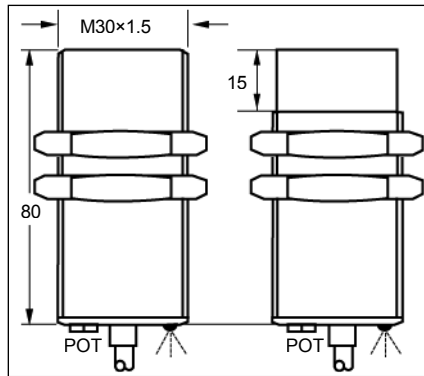
M30	
●	○
2-20 mm	2-30 mm
Nickel plated brass	
●	

M30	
●	○
2-20 mm	2-30 mm
Nickel plated brass	
●	

Picture



Dimensions (unit: mm)



No Load Current
Max. Load current
Leakage Current
Surge Current
Min. Load Current
Voltage Drop
Switching Frequency
Response Time
Switching Hysteresis
Repeat Accuracy
Protection Category
Operating Temperature
Temperature Drift
Short Circuit Protection
Material Active Face

DC Ripple <10%
<2.5mA
200mA
<2.5mA
2.2A(20ms)
5mA
<10VAC ; 8VDC
<25Hz AC ; 40Hz DC
10ms/10ms
<15%(Sr)
<1%(Sr)
IP67
-25°C- +70°C
<±15%(Sr)
PBT

DC Ripple <10%
<2.5mA
200mA
<2.5mA
2.2A(20ms)
5mA
<10VAC ; 8VDC
<25Hz AC ; 40Hz DC
10ms/10ms
<15%(Sr)
<1%(Sr)
IP67
-25°C- +70°C
<±15%(Sr)
PBT

Connecting type
Weight

2M Cable (5.0 φ 3x0.34)
approx.230 g

Micro connector
approx.150 g

AC 20-250V N.O.
AC 20-250V N.C.
AC 20-250V N.O. or N.C. Changeable

CBS-M3020U-A8VN2	15	CBN-M3030U-A8VN2
CBS-M3020U-B8VN2	16	CBN-M3030U-B8VN2

CBS-M3020U-A8MN3	15	CBN-M3030U-A8MN3
CBS-M3020U-B8MN3	16	CBN-M3030U-B8MN3

* Wiring diagram number. Please see the relevant wiring diagram shown on Page 013 to Page 015.