

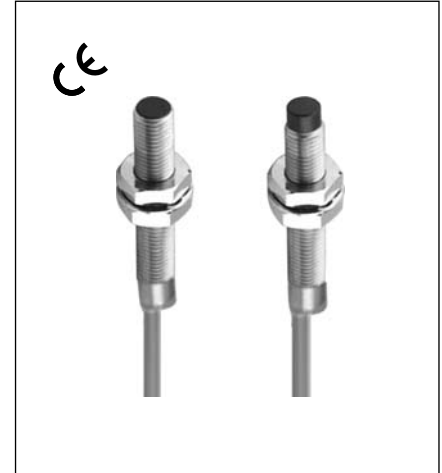
CAPACITIVE PROXIMITY SENSOR (10-30VDC)

Diameter
● Shielded ○ non-Shielded
Switching Distance, Sn: mm
Housing Material
● With LED ○ Without LED

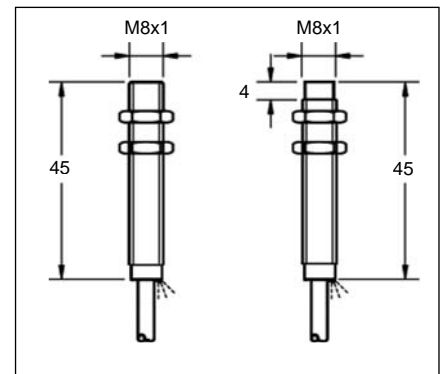
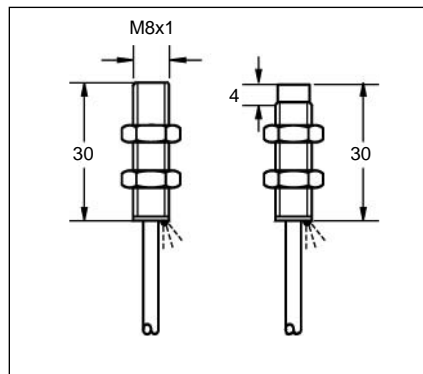
M8	
●	○
1 mm	2 mm
Stainless steel or Nickel plated brass	
●	

M8	
●	○
1 mm	2 mm
Stainless steel or Nickel plated brass	
●	

Picture



Dimensions (unit: mm)



Ripple
No Load Current
Max. Load current
Leakage Current
Voltage Drop
Switching Frequency
Response Time
Switching Hysteresis
Repeat Accuracy
Protection Category
Operating Temperature
Temperature Drift
Short Circuit Protection
Overload Trip Point
Material Active Face

<10%
<10mA
200mA
<0.01mA
<2VDC
100Hz
1.5ms/1.5ms
<15%(Sr)
<5.0%(Sr)
IP67
-25°C - +70°C
<10%(Sr)
Yes
220mA
POM

<10%
<10mA
200mA
<0.01mA
<2VDC
100Hz
1.5ms/1.5ms
<15%(Sr)
<5.0%(Sr)
IP67
-25°C - +70°C
<10%(Sr)
Yes
220mA
POM

Connecting type
Weight

2M Cable (2.9 φ 3x0.15)
approx.45 g

2M Cable (2.9 φ 3x0.15)
approx.55 g

DC 3 wire 10-30V NPN N.O.
DC 3 wire 10-30V NPN N.C.
DC 3 wire 10-30V PNP N.O.
DC 3 wire 10-30V PNP N.C.
DC 3 wire 10-55V NPN N.O.
DC 3 wire 10-55V NPN N.C.
DC 3 wire 10-55V PNP N.O.
DC 3 wire 10-55V PNP N.C.
DC 3 wire 5-36 V NPN N.O.
DC 3 wire 5-36 V NPN N.C.
DC 3 wire 5-36 V PNP N.O.
DC 3 wire 5-36 V PNP N.C.

CSS-M801N-A1VS2	1*	CSN-M802N-A1VS2
CSS-M801N-B1VS2	2	CSN-M802N-B1VS2
CSS-M801P-A1VS2	3	CSN-M802P-A1VS2
CSS-M801P-B1VS2	4	CSN-M802P-B1VS2

CSS-M801N-A1VN2	1*	CSN-M802N-A1VN2
CSS-M801N-B1VN2	2	CSN-M802N-B1VN2
CSS-M801P-A1VN2	3	CSN-M802P-A1VN2
CSS-M801P-B1VN2	4	CSN-M802P-B1VN2

* Wiring diagram number. Please see the relevant wiring diagram shown on Page 013 and Page 014.

CAPACITIVE PROXIMITY SENSOR (10-30VDC)

Diameter
● Shielded ○ non-Shielded
Switching Distance, Sn: mm
Housing Material
● With LED ○ Without LED

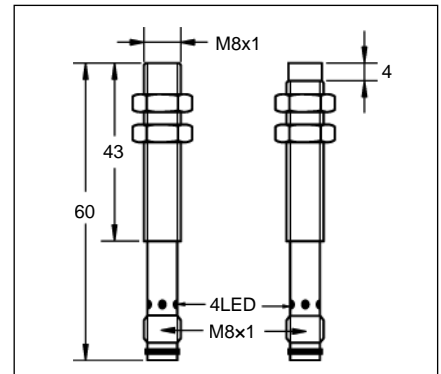
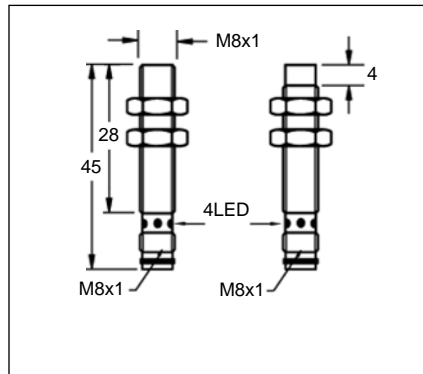
M8	
●	○
1 mm	2 mm
Stainless steel or Nickel plated brass	
●	

M8	
●	○
1 mm	2 mm
Stainless steel or Nickel plated brass	
●	

Picture



Dimensions (unit: mm)



Ripple
No Load Current
Max. Load current
Leakage Current
Voltage Drop
Switching Frequency
Response Time
Switching Hysteresis
Repeat Accuracy
Protection Category
Operating Temperature
Temperature Drift
Short Circuit Protection
Overload Trip Point
Material Active Face

<10%
<10mA
200mA
<0.01mA
<2VDC
100Hz
1.5ms/1.5ms
<15%(Sr)
<5.0%(Sr)
IP67
-25°C - +70°C
<10%(Sr)
Yes
220mA
POM

<10%
<10mA
200mA
<0.01mA
<2VDC
100Hz
1.5ms/1.5ms
<15%(Sr)
<5.0%(Sr)
IP67
-25°C - +70°C
<10%(Sr)
Yes
220mA
POM

Connecting type
Weight

M8 connector
approx.14 g

M8 connector
approx.20 g

DC 3 wire 10-30V NPN N.O.
DC 3 wire 10-30V NPN N.C.
DC 3 wire 10-30V PNP N.O.
DC 3 wire 10-30V PNP N.C.
DC 3 wire 10-55V NPN N.O.
DC 3 wire 10-55V NPN N.C.
DC 3 wire 10-55V PNP N.O.
DC 3 wire 10-55V PNP N.C.
DC 3 wire 5-36 V NPN N.O.
DC 3 wire 5-36 V NPN N.C.
DC 3 wire 5-36 V PNP N.O.
DC 3 wire 5-36 V PNP N.C.

CSS-M801N-A1PS3	1*	CSN-M802N-A1PS3
CSS-M801N-B1PS3	2	CSN-M802N-B1PS3
CSS-M801P-A1PS3	3	CSN-M802P-A1PS3
CSS-M801P-B1PS3	4	CSN-M802P-B1PS3

CSS-M801N-A1PN3	1*	CSN-M802N-A1PN3
CSS-M801N-B1PN3	2	CSN-M802N-B1PN3
CSS-M801P-A1PN3	3	CSN-M802P-A1PN3
CSS-M801P-B1PN3	4	CSN-M802P-B1PN3

* Wiring diagram number. Please see the relevant wiring diagram shown on Page 013 and Page 014.

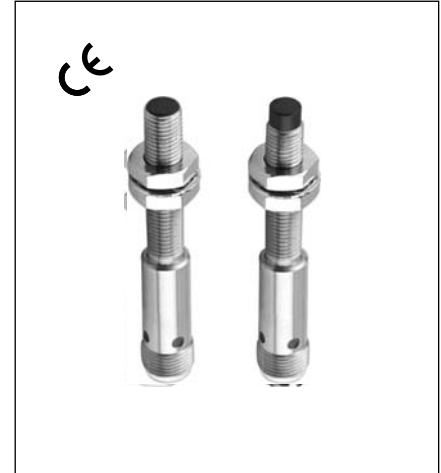
CAPACITIVE PROXIMITY SENSOR (10-30VDC)

Diameter
● Shielded ○ non-Shielded
Switching Distance, Sn: mm
Housing Material
● With LED ○ Without LED

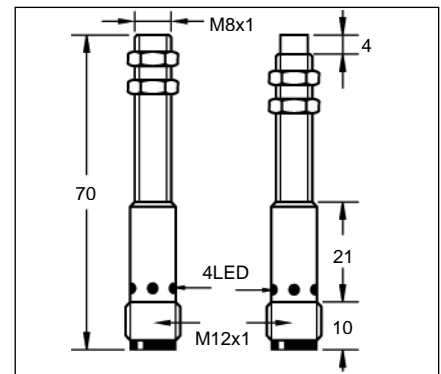
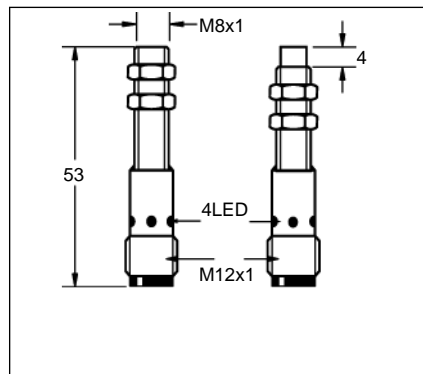
M8	
●	○
1 mm	2 mm
Nickel plated brass	
●	

M8	
●	○
1 mm	2 mm
Nickel plated brass	
●	

Picture



Dimensions (unit: mm)



Ripple
No Load Current
Max. Load current
Leakage Current
Voltage Drop
Switching Frequency
Response Time
Switching Hysteresis
Repeat Accuracy
Protection Category
Operating Temperature
Temperature Drift
Short Circuit Protection
Overload Trip Point
Material Active Face

<10%
<10mA
200mA
<0.01mA
<2VDC
100Hz
1.5ms/1.5ms
<15%(Sr)
<5.0%(Sr)
IP67
-25°C - +70°C
<10%(Sr)
Yes
220mA
POM

<10%
<10mA
200mA
<0.01mA
<2VDC
100Hz
1.5ms/1.5ms
<15%(Sr)
<5.0%(Sr)
IP67
-25°C - +70°C
<10%(Sr)
Yes
220mA
POM

Connecting type
Weight

M12 connector
approx.20 g

M12 connector
approx.25 g

DC 3 wire 10-30V NPN N.O.
DC 3 wire 10-30V NPN N.C.
DC 3 wire 10-30V PNP N.O.
DC 3 wire 10-30V PNP N.C.
DC 3 wire 10-55V NPN N.O.
DC 3 wire 10-55V NPN N.C.
DC 3 wire 10-55V PNP N.O.
DC 3 wire 10-55V PNP N.C.
DC 3 wire 5-36 V NPN N.O.
DC 3 wire 5-36 V NPN N.C.
DC 3 wire 5-36 V PNP N.O.
DC 3 wire 5-36 V PNP N.C.

CBS-M801N-A1ES4	1*	CBN-M802N-A1ES4
CBS-M801N-B1ES4	2	CBN-M802N-B1ES4
CBS-M801P-A1ES4	3	CBN-M802P-A1ES4
CBS-M801P-B1ES4	4	CBN-M802P-B1ES4

CBS-M801N-A1EN4	1*	CBN-M802N-A1EN4
CBS-M801N-B1EN4	2	CBN-M802N-B1EN4
CBS-M801P-A1EN4	3	CBN-M802P-A1EN4
CBS-M801P-B1EN4	4	CBN-M802P-B1EN4

* Wiring diagram number. Please see the relevant wiring diagram shown on Page 013 to Page 015.