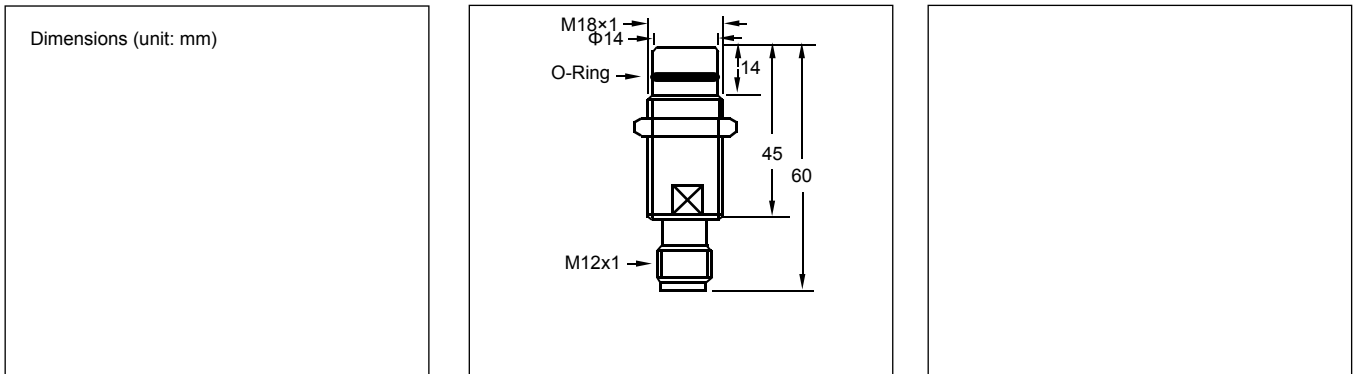
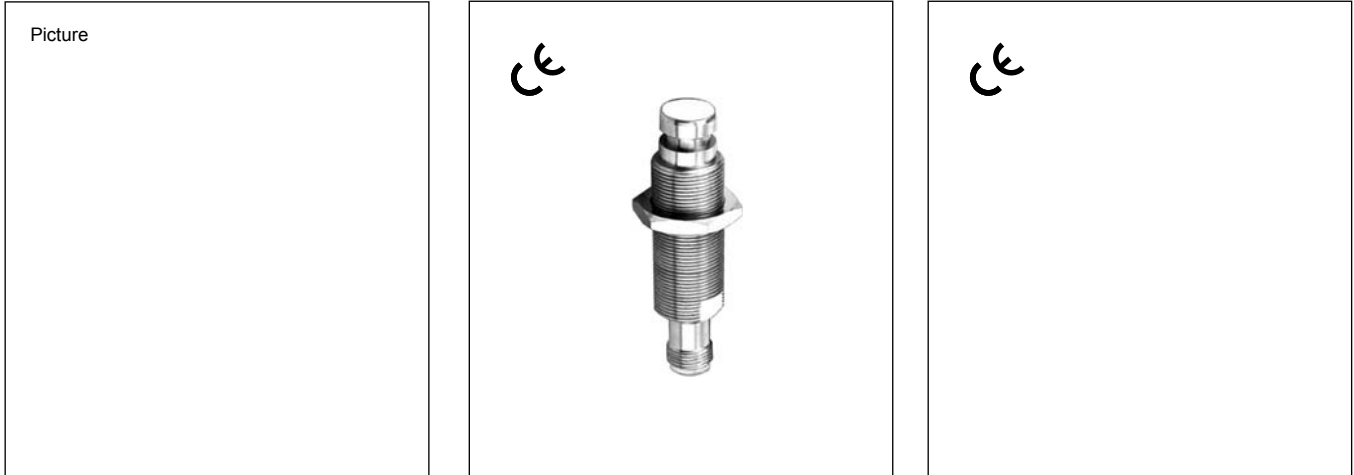


# HIGH PRESSURE INDUCTIVE PROXIMITY SENSOR (10-30VDC)

Diameter	M18	
● Shielded    ○ non-Shielded	●	
Switching Distance, Sn: mm	2 mm	
Housing Material	Stainless steel	
● With LED    ○ Without LED	○	



Ripple	<10%	
No Load Current	<10mA	
Max. Load current	150mA	
Leakage Current	<0.01mA	
Voltage Drop	<1.5V	
Switching Frequency	600Hz	
Switching Hysteresis	<15%(Sr)	
Repeat Accuracy	<1.0%(Sr)	
Protection Category	IP68	
Operating Temperature	-25°C - +70°C	
Temperature Drift	<10%(Sr)	
Short Circuit Protection	Yes	
Overload Trip Point	180mA	
Material Active Face	ZrO <sub>2</sub>	
Max. Pressure	500 bar	

Connecting type	M12 connector	
Weight	approx.95 g	

DC 3 wire 10-30V NPN N.O.	IHS-M1802N-A1EN4/P	1*
DC 3 wire 10-30V NPN N.C.	IHS-M1802N-B1EN4/P	2
DC 3 wire 10-30V PNP N.O.	IHS-M1802P-A1EN4/P	3
DC 3 wire 10-30V PNP N.C.	IHS-M1802P-B1EN4/P	4
DC 3 wire 10-55V NPN N.O.		
DC 3 wire 10-55V NPN N.C.		
DC 3 wire 10-55V PNP N.O.		
DC 3 wire 10-55V PNP N.C.		
DC 3 wire 5-36 V NPN N.O.		
DC 3 wire 5-36 V NPN N.C.		
DC 3 wire 5-36 V PNP N.O.		
DC 3 wire 5-36 V PNP N.C.		

\* Wiring diagram number. Please see the relevant wiring diagram shown on Page 013 to Page 015.