

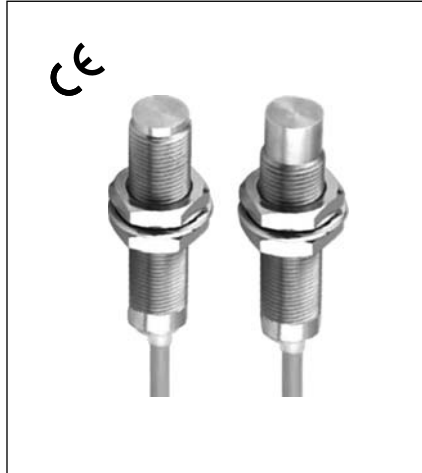
# METALFACE INDUCTIVE PROXIMITY SENSOR (20-250VAC/DC)

Diameter
● Shielded    ○ non-Shielded
Switching Distance, Sn: mm
Housing Material
● With LED    ○ Without LED

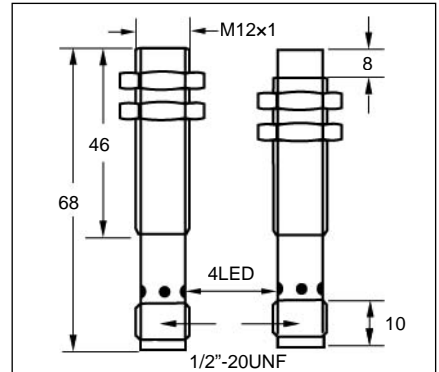
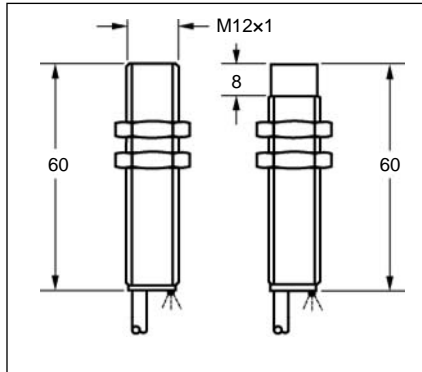
M12	
●	○
2 mm	4 mm
Stainless steel	
●	

M12	
●	○
2 mm	4 mm
Stainless steel	
●	

Picture



Dimensions (unit: mm)



No Load Current
Max. Load current
Leakage Current
Surge Current
Min. Load Current
Voltage Drop
Switching Frequency
Response Time
Switching Hysteresis
Repeat Accuracy
Protection Category
Operating Temperature
Temperature Drift
Short Circuit Protection
Material Active Face

<2.5mA
100mA
<2.5mA
2.2A(20ms)
5mA
<10VAC; 8VDC
<25Hz AC; 40Hz DC
10ms/10ms
<15%(Sr)
<1.0%(Sr)
IP67
-25°C - +70°C
<10%(Sr)
NO
Stainless steel

<2.5mA
100mA
<2.5mA
2.2A(20ms)
5mA
<10VAC; 8VDC
<25Hz AC; 40Hz DC
10ms/10ms
<15%(Sr)
<1.0%(Sr)
IP67
-25°C - +70°C
<10%(Sr)
NO
Stainless steel

Connecting type
Weight

2M Cable (4.0 φ 3x0.25)
approx.77 g

Micro connector
approx.32 g

AC 20-250V N.O.
AC 20-250V N.C.
AC 20-250V N.O. or N.C. Changeable

IVS-M1202U-A8VN2	11†	IVN-M1204U-A8VN2
IVS-M1202U-B8VN2	12	IVN-M1204U-B8VN2

IVS-M1202U-A8MN3	11†	IVN-M1204U-A8MN3
IVS-M1202U-B8MN3	12	IVN-M1204U-B8MN3

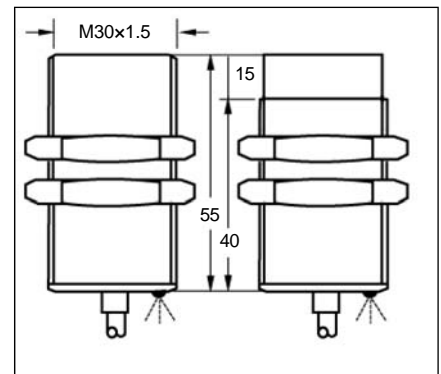
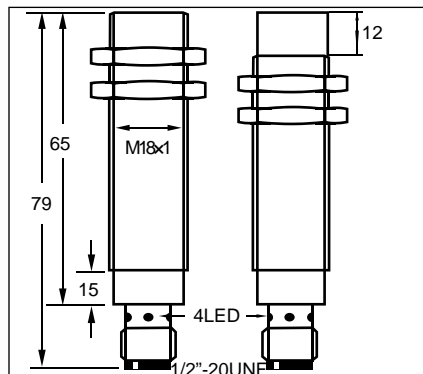
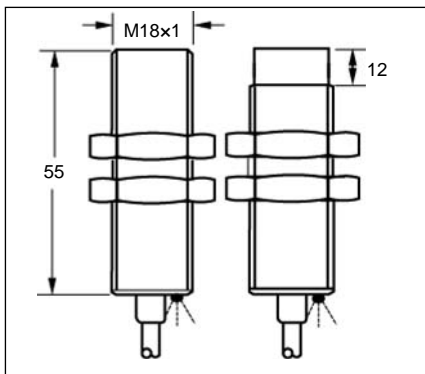
\* Wiring diagram number. Please see the relevant wiring diagram shown on Page 013 to Page 015.

# METALFACE INDUCTIVE PROXIMITY SENSOR (20-250VAC/DC)

M18	
●	○
5 mm	8 mm
Stainless steel	
●	

M18	
●	○
5 mm	8 mm
Stainless steel	
●	

M30	
●	○
10 mm	15 mm
Stainless steel	
●	



<2.5mA
100mA
<2.5mA
2.2A(20ms)
5mA
<10VAC; 8VDC
<25Hz AC; 40Hz DC
10ms/10ms
<15%(Sr)
<1.0%(Sr)
IP67
-25°C - +70°C
<10%(Sr)
NO
Stainless steel

<2.5mA
100mA
<2.5mA
2.2A(20ms)
5mA
<10VAC; 8VDC
<25Hz AC; 40Hz DC
10ms/10ms
<15%(Sr)
<1.0%(Sr)
IP67
-25°C - +70°C
<10%(Sr)
NO
Stainless steel

<2.5mA
100mA
<2.5mA
2.2A(20ms)
5mA
<10VAC; 8VDC
<25Hz AC; 40Hz DC
10ms/10ms
<15%(Sr)
<1.0%(Sr)
IP67
-25°C - +70°C
<10%(Sr)
NO
Stainless steel

2M Cable (5.0 φ 3x0.34)
approx.155 g

Micro connector
approx.70 g

2M Cable (5.0 φ 3x0.34)
approx.250 g

IVS-M1805U-A8VS2	11*	IVN-M1808U-A8VS2
IVS-M1805U-B8VS2	12	IVN-M1808U-B8VS2

IVS-M1805U-A8MN3	11*	IVN-M1808U-A8MN3
IVS-M1805U-B8MN3	12	IVN-M1808U-B8MN3

IVS-M3010U-A8VN2	11*	IVN-M3015U-A8VN2
IVS-M3010U-B8VN2	12	IVN-M3015U-B8VN2

\* Wiring diagram number. Please see the relevant wiring diagram shown on Page 013 and Page 014.