

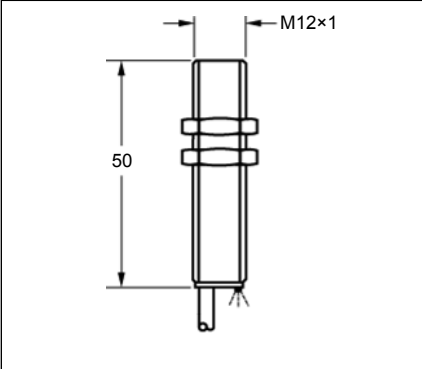
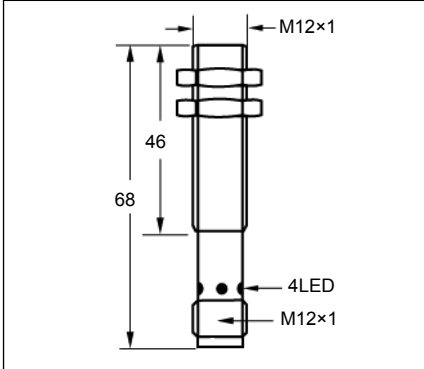


METALFACE INDUCTIVE PROXIMITY SENSOR (LONG RANGE)

Diameter	M12	M12
● Shielded ○ non-Shielded	●	●
Switching Distance, Sn: mm	6 mm	6 mm
Housing Material	Stainless steel	Stainless steel
● With LED ○ Without LED	●	●
Picture		
Dimensions (unit: mm)		
Ripple	<10%	<10%
No Load Current	<10mA	<10mA
Max. Load current	200mA	200mA
Leakage Current	<0.01mA	<0.01mA
Voltage Drop	<2.0V	<2.0V
Switching Frequency	800Hz	800Hz
Response Time	0.2ms/0.2ms	0.2ms/0.2ms
Switching Hysteresis	<15%(Sr)	<15%(Sr)
Repeat Accuracy	<1.0%(Sr)	<1.0%(Sr)
Protection Category	IP67	IP67
Operating Temperature	-25°C - +70°C	-25°C - +70°C
Temperature Drift	<10%(Sr)	<10%(Sr)
Short Circuit Protection	Yes	Yes
Overload Trip Point	220mA	220mA
Material Active Face	Stainless steel	Stainless steel
Connecting type	2M Cable (4.0 ∅ 3x0.25)	M12 connector
Weight	approx.70 g	approx.35 g
DC 3 wire 10-30V NPN N.O.	IVS-M1206N-A1VN2	IVS-M1206N-A1EN4
DC 3 wire 10-30V NPN N.C.	IVS-M1206N-B1VN2	IVS-M1206N-B1EN4
DC 3 wire 10-30V PNP N.O.	IVS-M1206P-A1VN2	IVS-M1206P-A1EN4
DC 3 wire 10-30V PNP N.C.	IVS-M1206P-B1VN2	IVS-M1206P-B1EN4
DC 3 wire 10-55V NPN N.O.		
DC 3 wire 10-55V NPN N.C.		
DC 3 wire 10-55V PNP N.O.		
DC 3 wire 10-55V PNP N.C.		
DC 3 wire 5-36 V NPN N.O.		
DC 3 wire 5-36 V NPN N.C.		
DC 3 wire 5-36 V PNP N.O.		
DC 3 wire 5-36 V PNP N.C.		

* Wiring diagram number. Please see the relevant wiring diagram shown on Page 013 and Page 014.