

METALFACE INDUCTIVE PROXIMITY SENSOR (STANDARD RANGE)

Diameter
● Shielded ○ non-Shielded
Switching Distance, Sn: mm
Housing Material
● With LED ○ Without LED

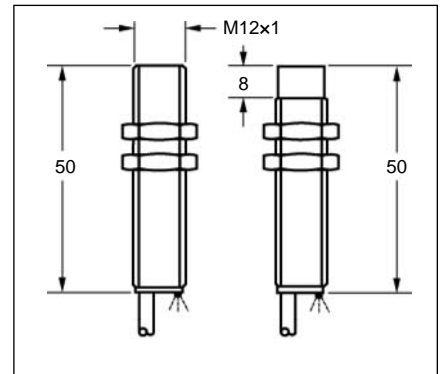
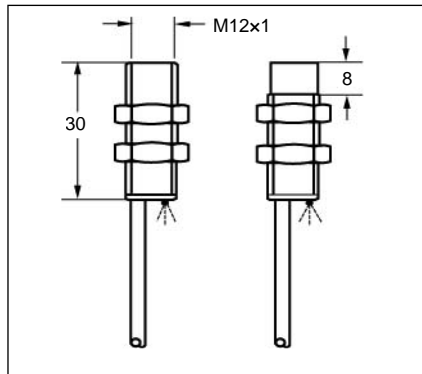
M12	
●	○
2 mm	4 mm
Stainless steel	
●	

M12	
●	○
2 mm	4 mm
Stainless steel	
●	

Picture



Dimensions (unit: mm)



Ripple
No Load Current
Max. Load current
Leakage Current
Voltage Drop
Switching Frequency
Response Time
Switching Hysteresis
Repeat Accuracy
Protection Category
Operating Temperature
Temperature Drift
Short Circuit Protection
Overload Trip Point
Material Active Face

<10%
<10mA
200mA
<0.01mA
<1.5V
2KHz 1KHz
0.1ms/0.1ms 0.2ms/0.2ms
<15%(Sr)
<1.0%(Sr)
IP67
-25°C - +70°C
<10%(Sr)
Yes
220mA
Stainless steel

<10%
<10mA
200mA
<0.01mA
<1.5V
2KHz 1KHz
0.1ms/0.1ms 0.2ms/0.2ms
<15%(Sr)
<1.0%(Sr)
IP67
-25°C - +70°C
<10%(Sr)
Yes
220mA
Stainless steel

Connecting type
Weight

2M Cable (4.0 φ 3x0.25)
approx.65 g

2M Cable (4.0 φ 3x0.25)
approx.70 g

DC 3 wire 10-30V NPN N.O.
DC 3 wire 10-30V NPN N.C.
DC 3 wire 10-30V PNP N.O.
DC 3 wire 10-30V PNP N.C.
DC 3 wire 10-55V NPN N.O.
DC 3 wire 10-55V NPN N.C.
DC 3 wire 10-55V PNP N.O.
DC 3 wire 10-55V PNP N.C.
DC 3 wire 5-36 V NPN N.O.
DC 3 wire 5-36 V NPN N.C.
DC 3 wire 5-36 V PNP N.O.
DC 3 wire 5-36 V PNP N.C.

IVS-M1202N-A1VS2	1*	IVN-M1204N-A1VS2
IVS-M1202N-B1VS2	2	IVN-M1204N-B1VS2
IVS-M1202P-A1VS2	3	IVN-M1204P-A1VS2
IVS-M1202P-B1VS2	4	IVN-M1204P-B1VS2

IVS-M1202N-A1VN2	1*	IVN-M1204N-A1VN2
IVS-M1202N-B1VN2	2	IVN-M1204N-B1VN2
IVS-M1202P-A1VN2	3	IVN-M1204P-A1VN2
IVS-M1202P-B1VN2	4	IVN-M1204P-B1VN2

* Wiring diagram number. Please see the relevant wiring diagram shown on Page 013 to Page 015.

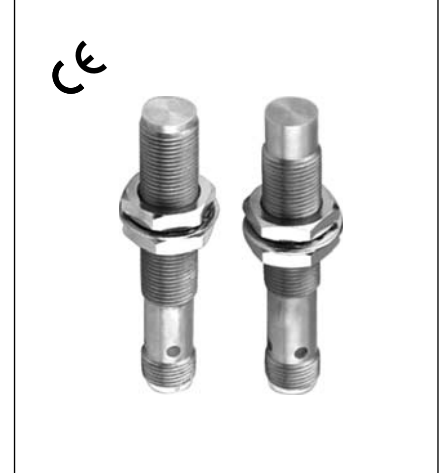
METALFACE INDUCTIVE PROXIMITY SENSOR (STANDARD RANGE)

Diameter
● Shielded ○ non-Shielded
Switching Distance, Sn: mm
Housing Material
● With LED ○ Without LED

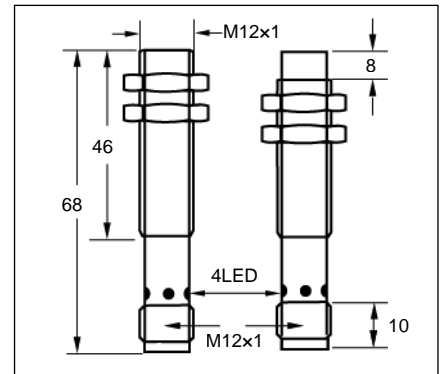
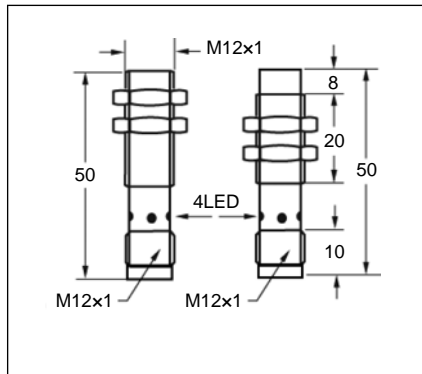
M12	
●	○
2 mm	4 mm
Stainless steel	
●	

M12	
●	○
2 mm	4 mm
Stainless steel	
●	

Picture



Dimensions (unit: mm)



Ripple	<10%
No Load Current	<10mA
Max. Load current	200mA
Leakage Current	<0.01mA
Voltage Drop	<1.5V
Switching Frequency	2KHz 1KHz
Response Time	0.1ms/0.1ms 0.2ms/0.2ms
Switching Hysteresis	<15%(Sr)
Repeat Accuracy	<1.0%(Sr)
Protection Category	IP67
Operating Temperature	-25°C - +70°C
Temperature Drift	<10%(Sr)
Short Circuit Protection	Yes
Overload Trip Point	220mA
Material Active Face	Stainless steel

<10%
<10mA
200mA
<0.01mA
<1.5V
2KHz 1KHz
0.1ms/0.1ms 0.2ms/0.2ms
<15%(Sr)
<1.0%(Sr)
IP67
-25°C - +70°C
<10%(Sr)
Yes
220mA
Stainless steel

<10%
<10mA
200mA
<0.01mA
<1.5V
2KHz 1KHz
0.1ms/0.1ms 0.2ms/0.2ms
<15%(Sr)
<1.0%(Sr)
IP67
-25°C - +70°C
<10%(Sr)
Yes
220mA
Stainless steel

Connecting type	M12 connector
Weight	approx.28 g

M12 connector
approx.28 g

M12 connector
approx.35 g

DC 3 wire 10-30V NPN N.O.
DC 3 wire 10-30V NPN N.C.
DC 3 wire 10-30V PNP N.O.
DC 3 wire 10-30V PNP N.C.
DC 3 wire 10-55V NPN N.O.
DC 3 wire 10-55V NPN N.C.
DC 3 wire 10-55V PNP N.O.
DC 3 wire 10-55V PNP N.C.
DC 3 wire 5-36 V NPN N.O.
DC 3 wire 5-36 V NPN N.C.
DC 3 wire 5-36 V PNP N.O.
DC 3 wire 5-36 V PNP N.C.

IVS-M1202N-A1ES4	1*	IVN-M1204N-A1ES4
IVS-M1202N-B1ES4	2	IVN-M1204N-B1ES4
IVS-M1202P-A1ES4	3	IVN-M1204P-A1ES4
IVS-M1202P-B1ES4	4	IVN-M1204P-B1ES4

IVS-M1202N-A1EN4	1*	IVN-M1204N-A1EN4
IVS-M1202N-B1EN4	2	IVN-M1204N-B1EN4
IVS-M1202P-A1EN4	3	IVN-M1204P-A1EN4
IVS-M1202P-B1EN4	4	IVN-M1204P-B1EN4

* Wiring diagram number. Please see the relevant wiring diagram shown on Page 013 and Page 014.