

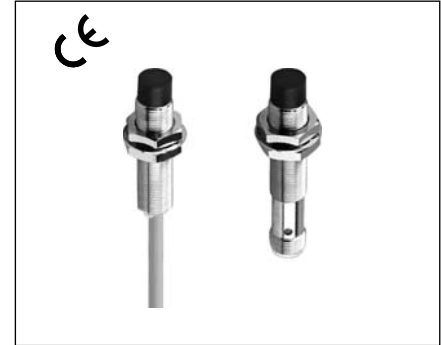
ANALOG INDUCTIVE PROXIMITY SENSOR (CURRENT AND VOLTAGE OUTPUT)

Diameter
● Shielded ○ non-Shielded
Switching Distance, Sn: mm
Housing Material
● With LED ○ Without LED

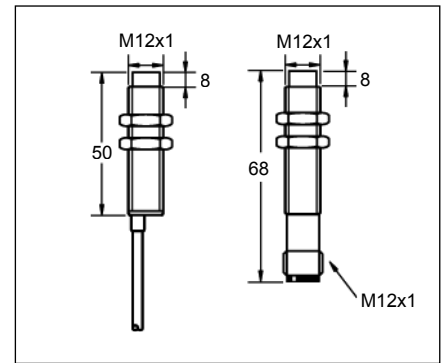
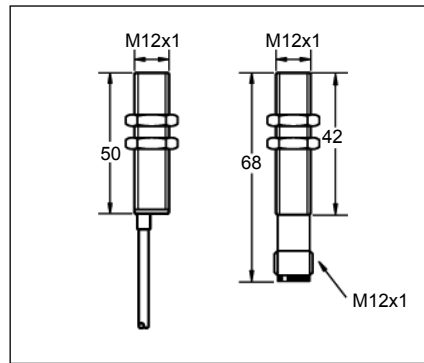
M12
●
0.1-3.0 mm
Nickel plated brass
○

M12
○
0.1-4 mm
Nickel plated brass
○

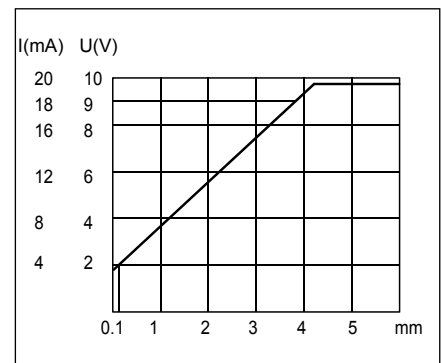
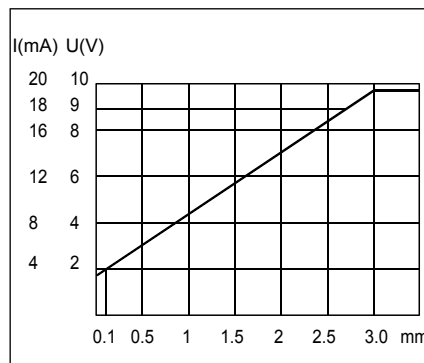
Picture



Dimensions (unit: mm)



Characteristics



Max. Ripple	<10%
No Load Current	<35mA
Output Current & Voltage /Load Resistor	4-20mA / 400 Ω Max. 0-10VDC / ≥2K Ω
Linearity	<5%
Repeat Accuracy	0.02mm
Ambient Temperature	-25°C - +70°C
Temperature Drift	<5%(Sr)
Short Circuit Protection	-
Reverse Polarity Protection	Yes
Protection Category	IP67
Output Signal	PNP-ANALOG
Switch Frequency Max.	100Hz
EMC	RFI>3V/m / EFT>1KV / ESD>4KV (contact)
Shock / Vibration	IEC 60947-5-2, Part 7.4.1 / IEC 60947-5-2, Part 7.4.2
Material Active Face	PBT

<10%
<35mA
4-20mA / 400 Ω Max. 0-10VDC / ≥2K Ω
<5%
0.02mm
-25°C - +70°C
<5%(Sr)
-
Yes
IP67
PNP-ANALOG
100Hz
RFI>3V/m / EFT>1KV / ESD>4KV (contact)
IEC 60947-5-2, Part 7.4.1 / IEC 60947-5-2, Part 7.4.2
PBT

<10%
<35mA
4-20mA / 400 Ω Max. 0-10VDC / ≥2K Ω
<5%
0.02mm
-25°C - +70°C
<5%(Sr)
-
Yes
IP67
PNP-ANALOG
100Hz
RFI>3V/m / EFT>1KV / ESD>4KV (contact)
IEC 60947-5-2, Part 7.4.1 / IEC 60947-5-2, Part 7.4.2
PBT

Connecting type
Weight

2M Cable (4.0 φ 3x0.25)	M12 connector
approx.65 g	approx.30 g

2M Cable (4.0 φ 3x0.25)	M12 connector
approx.65 g	approx.30 g

Analog Current & Voltage Output (18-30VDC)
--

IBS-M1203G-M5VN2	21*	IBS-M1203G-M5EN4
------------------	-----	------------------

IBN-M1204G-M5VN2	21*	IBN-M1204G-M5EN4
------------------	-----	------------------

* Wiring diagram number. Please see the relevant wiring diagram shown on Page 013 to Page 015.