

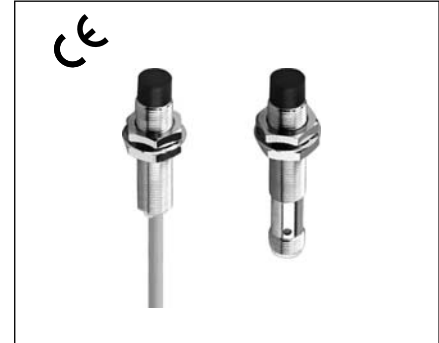
ANALOG INDUCTIVE PROXIMITY SENSOR (VOLTAGE OUTPUT)

| |
|------------------------------|
| Diameter |
| ● Shielded ○ non-Shielded |
| Switching Distance, Sn: mm |
| Housing Material |
| ● With LED ○ Without LED |

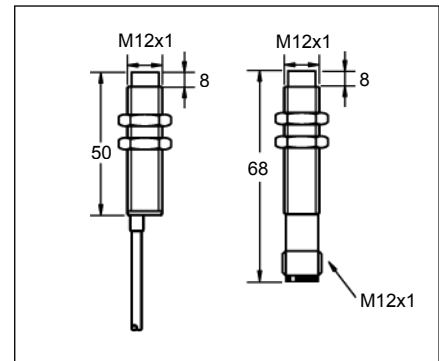
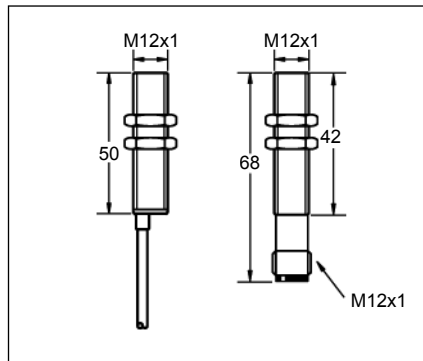
| |
|---------------------|
| M12 |
| ● |
| 0.1-3.0 mm |
| Nickel plated brass |
| ○ |

| |
|---------------------|
| M12 |
| ○ |
| 0.1-4 mm |
| Nickel plated brass |
| ○ |

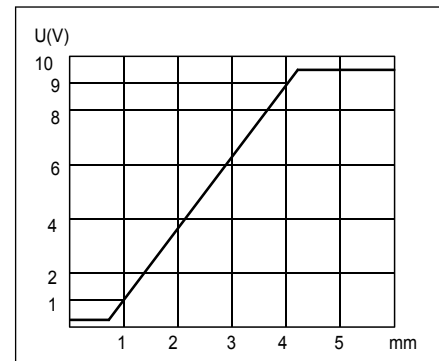
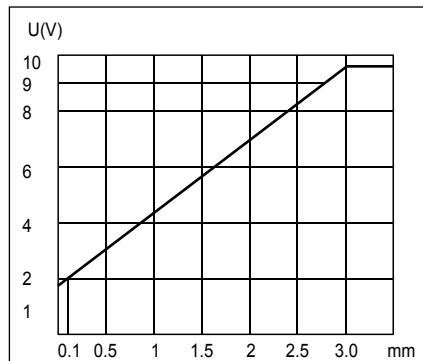
Picture



Dimensions (unit: mm)



Characteristics



| |
|------------------------------|
| Max. Ripple |
| No Load Current |
| Output Voltage/Load Resistor |
| Linearity |
| Repeat Accuracy |
| Ambient Temperature |
| Temperature Drift |
| Short Circuit Protection |
| Reverse Polarity Protection |
| Protection Category |
| Output Signal |
| Switch Frequency Max. |
| EMC |
| Shock / Vibration |
| Material Active Face |
| Connecting type |
| Weight |

| |
|---|
| <10% |
| <35mA |
| 0-10VDC/≥2KΩ |
| <5%(Sr) |
| 0.02mm |
| -25°C- +70°C |
| <5%(Sr) |
| - |
| Yes |
| IP67 |
| PNP-ANALOG |
| 100Hz |
| RFI>3V/m / EFT>1KV / ESD>4KV (contact) |
| IEC 60947-5-2, Part 7.4.1 / IEC 60947-5-2, Part 7.4.2 |
| PBT |
| 2M Cable (4.0 φ 3x0.25) M12 connector |
| approx.65 g approx.30 g |

| |
|---|
| <10% |
| <35mA |
| 0-10VDC / ≥2KΩ |
| <5%(Sr) |
| 0.02mm |
| -25°C- +70°C |
| <5%(Sr) |
| - |
| Yes |
| IP67 |
| PNP-ANALOG |
| 100Hz |
| RFI>3V/m / EFT>1KV / ESD>4KV (contact) |
| IEC 60947-5-2, Part 7.4.1 / IEC 60947-5-2, Part 7.4.2 |
| PBT |
| 2M Cable (4.0 φ 3x0.25) M12 connector |
| approx.65 g approx.30 g |

| |
|----------------------------------|
| Analog Voltage Output (18-30VDC) |
|----------------------------------|

| | | |
|------------------|-----|------------------|
| IBS-M1203G-V5VN2 | 22* | IBS-M1203G-V5EN4 |
|------------------|-----|------------------|

| | | |
|------------------|-----|------------------|
| IBN-M1204G-V5VN2 | 22* | IBN-M1204G-V5EN4 |
|------------------|-----|------------------|

* Wiring diagram number. Please see the relevant wiring diagram shown on Page 013 to Page 015.