

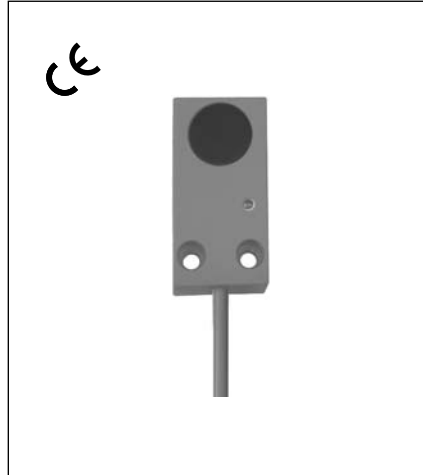
# LONG RANGE INDUCTIVE PROXIMITY SENSOR (10-30VDC/10-55VDC/5-36VDC)

Diameter
● Shielded    ○ non-Shielded
Switching Distance, Sn: mm
Housing Material
● With LED    ○ Without LED

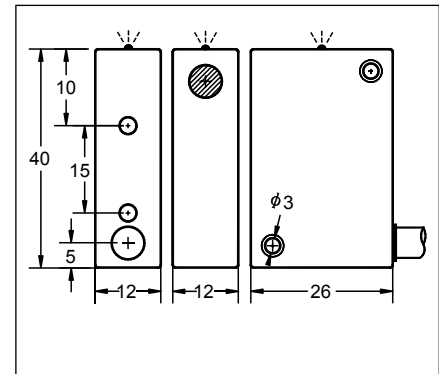
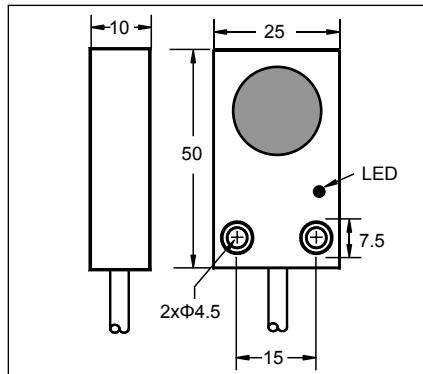
Q25x50x10	
●	○
6 mm	10 mm
PBT	
●	

Q26x40x12	
●	○
6 mm	10 mm
PBT	
●	

Picture



Dimensions (unit: mm)



Ripple
No Load Current
Max. Load current
Leakage Current
Voltage Drop
Switching Frequency
Response Time
Switching Hysteresis
Repeat Accuracy
Protection Category
Operating Temperature
Temperature Drift
Short Circuit Protection
Overload Trip Point
Material Active Face

<10%
<10mA
200mA
<0.01mA
<2.0V
300Hz    100Hz
0.5ms/0.5ms    1ms/1ms
<15%(Sr)
<1.0%(Sr)
IP67
-25°C - +70°C
<10%(Sr)
Yes
220mA
PBT

<10%
<10mA
200mA
<0.01mA
<2.0V
300Hz    100Hz
0.5ms/0.5ms    1ms/1ms
<15%(Sr)
<1.0%(Sr)
IP67
-25°C - +70°C
<10%(Sr)
Yes
220mA
PBT

Connecting type
Weight

2M Cable (4.0 φ 3x0.25)
approx. 110 g

2M Cable (4.0 φ 3x0.25)
approx. 120 g

DC 3 wire 10-30V NPN N.O.
DC 3 wire 10-30V NPN N.C.
DC 3 wire 10-30V PNP N.O.
DC 3 wire 10-30V PNP N.C.
DC 3 wire 10-55V NPN N.O.
DC 3 wire 10-55V NPN N.C.
DC 3 wire 10-55V PNP N.O.
DC 3 wire 10-55V PNP N.C.
DC 3 wire 5-36 V NPN N.O.
DC 3 wire 5-36 V NPN N.C.
DC 3 wire 5-36 V PNP N.O.
DC 3 wire 5-36 V PNP N.C.

IPS-Q2506N-A1VN2	1*	IPN-Q2510N-A1VN2
IPS-Q2506N-B1VN2	2	IPN-Q2510N-B1VN2
IPS-Q2506P-A1VN2	3	IPN-Q2510P-A1VN2
IPS-Q2506P-B1VN2	4	IPN-Q2510P-B1VN2

IPS-Q2606N-A1LN2	1*	IPN-Q2610N-A1LN2
IPS-Q2606N-B1LN2	2	IPN-Q2610N-B1LN2
IPS-Q2606P-A1LN2	3	IPN-Q2610P-A1LN2
IPS-Q2606P-B1LN2	4	IPN-Q2610P-B1LN2

\* Wiring diagram number. Please see the relevant wiring diagram shown on Page 013 and Page 014.