

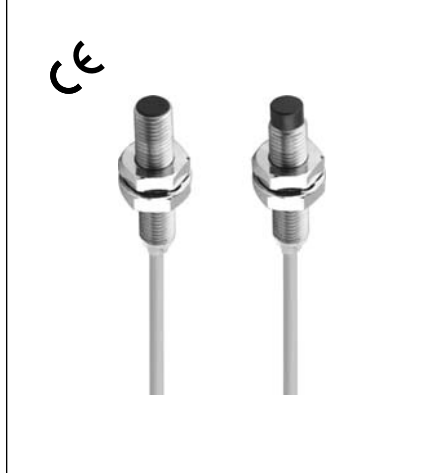
# EXTENDED RANGE INDUCTIVE PROXIMITY SENSOR (10-30VDC/10-55VDC/5-36VDC)

Diameter
● Shielded    ○ non-Shielded
Switching Distance, Sn: mm
Housing Material
● With LED    ○ Without LED

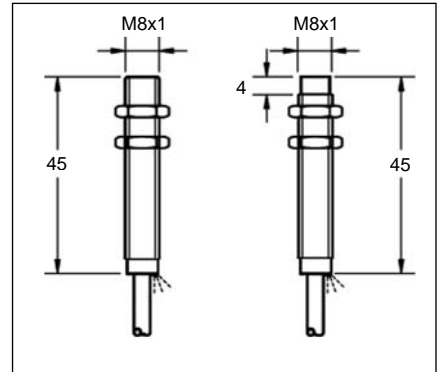
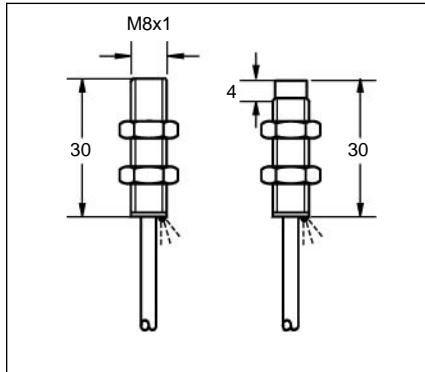
M8	
●	○
2 mm	4 mm
Stainless steel or Nickel plated brass	
●	

M8	
●	○
2 mm	4 mm
Stainless steel or Nickel plated brass	
●	

Picture
---------



Dimensions (unit: mm)
-----------------------



Ripple
No Load Current
Max. Load current
Leakage Current
Voltage Drop
Switching Frequency
Response Time
Switching Hysteresis
Repeat Accuracy
Protection Category
Operating Temperature
Temperature Drift
Short Circuit Protection
Overload Trip Point
Material Active Face

<10%
<10mA
200mA
<0.01mA
<1.5V
2KHz    1KHz
0.1ms/0.1ms    0.2ms/0.2ms
<15%(Sr)
<1.0%(Sr)
IP67
-25°C - +70°C
<10%(Sr)
Yes
220mA
POM

<10%
<10mA
200mA
<0.01mA
<1.5V
2KHz    1KHz
0.1ms/0.1ms    0.2ms/0.2ms
<15%(Sr)
<1.0%(Sr)
IP67
-25°C - +70°C
<10%(Sr)
Yes
220mA
POM

Connecting type
Weight

2M Cable (2.9 φ 3x0.15)
approx.45 g

2M Cable (2.9 φ 3x0.15)
approx.55 g

DC 3 wire 10-30V NPN N.O.
DC 3 wire 10-30V NPN N.C.
DC 3 wire 10-30V PNP N.O.
DC 3 wire 10-30V PNP N.C.
DC 3 wire 10-55V NPN N.O.
DC 3 wire 10-55V NPN N.C.
DC 3 wire 10-55V PNP N.O.
DC 3 wire 10-55V PNP N.C.
DC 3 wire 5-36 V NPN N.O.
DC 3 wire 5-36 V NPN N.C.
DC 3 wire 5-36 V PNP N.O.
DC 3 wire 5-36 V PNP N.C.

ISS-M802N-A1VS2	1*	ISN-M804N-A1VS2
ISS-M802N-B1VS2	2	ISN-M804N-B1VS2
ISS-M802P-A1VS2	3	ISN-M804P-A1VS2
ISS-M802P-B1VS2	4	ISN-M804P-B1VS2

ISS-M802N-A1VN2	1*	ISN-M804N-A1VN2
ISS-M802N-B1VN2	2	ISN-M804N-B1VN2
ISS-M802P-A1VN2	3	ISN-M804P-A1VN2
ISS-M802P-B1VN2	4	ISN-M804P-B1VN2

\* Wiring diagram number. Please see the relevant wiring diagram shown on Page 013 to Page 015.

# EXTENDED RANGE INDUCTIVE PROXIMITY SENSOR (10-30VDC/10-55VDC/5-36VDC)

Diameter
● Shielded    ○ non-Shielded
Switching Distance, Sn: mm
Housing Material
● With LED    ○ Without LED

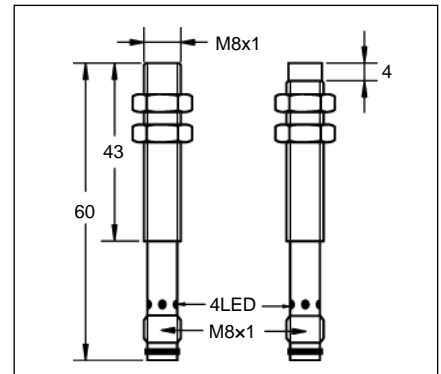
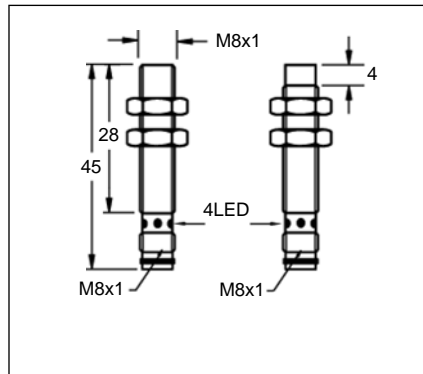
M8	
●	○
2 mm	4 mm
Stainless steel or Nickel plated brass	
●	

M8	
●	○
2 mm	4 mm
Stainless steel or Nickel plated brass	
●	

Picture



Dimensions (unit: mm)



Ripple
No Load Current
Max. Load current
Leakage Current
Voltage Drop
Switching Frequency
Response Time
Switching Hysteresis
Repeat Accuracy
Protection Category
Operating Temperature
Temperature Drift
Short Circuit Protection
Overload Trip Point
Material Active Face

<10%
<10mA
200mA
<0.01mA
<1.5V
2KHz    1KHz
0.1ms/0.1ms    0.2ms/0.2ms
<15%(Sr)
<1.0%(Sr)
IP67
-25°C - +70°C
<10%(Sr)
Yes
220mA
POM

<10%
<10mA
200mA
<0.01mA
<1.5V
2KHz    1KHz
0.1ms/0.1ms    0.2ms/0.2ms
<15%(Sr)
<1.0%(Sr)
IP67
-25°C - +70°C
<10%(Sr)
Yes
220mA
POM

Connecting type
Weight

M8 connector
approx.14 g

M8 connector
approx.20 g

DC 3 wire 10-30V NPN N.O.
DC 3 wire 10-30V NPN N.C.
DC 3 wire 10-30V PNP N.O.
DC 3 wire 10-30V PNP N.C.
DC 3 wire 10-55V NPN N.O.
DC 3 wire 10-55V NPN N.C.
DC 3 wire 10-55V PNP N.O.
DC 3 wire 10-55V PNP N.C.
DC 3 wire 5-36 V NPN N.O.
DC 3 wire 5-36 V NPN N.C.
DC 3 wire 5-36 V PNP N.O.
DC 3 wire 5-36 V PNP N.C.

ISS-M802N-A1PS3	1*	ISN-M804N-A1PS3
ISS-M802N-B1PS3	2	ISN-M804N-B1PS3
ISS-M802P-A1PS3	3	ISN-M804P-A1PS3
ISS-M802P-B1PS3	4	ISN-M804P-B1PS3

ISS-M802N-A1PN3	1*	ISN-M804N-A1PN3
ISS-M802N-B1PN3	2	ISN-M804N-B1PN3
ISS-M802P-A1PN3	3	ISN-M804P-A1PN3
ISS-M802P-B1PN3	4	ISN-M804P-B1PN3

\* Wiring diagram number. Please see the relevant wiring diagram shown on Page 013 and Page 014.

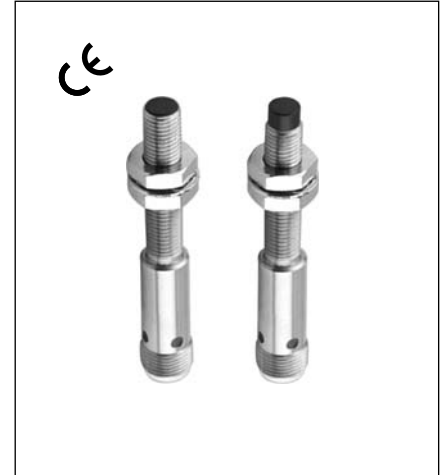
# EXTENDED RANGE INDUCTIVE PROXIMITY SENSOR (10-30VDC/10-55VDC/5-36VDC)

Diameter
● Shielded    ○ non-Shielded
Switching Distance, Sn: mm
Housing Material
● With LED    ○ Without LED

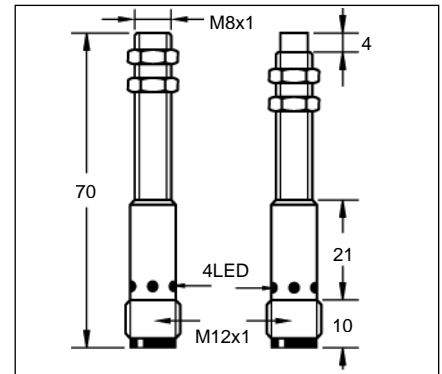
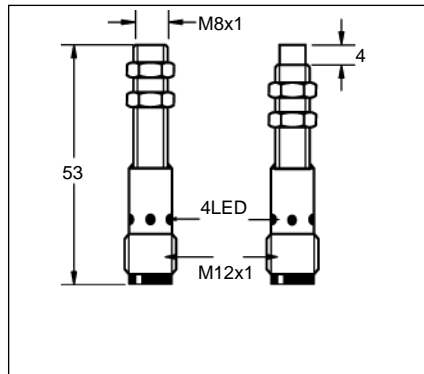
M8	
●	○
2 mm	4 mm
Nickel plated brass	

M8	
●	○
2 mm	4 mm
Nickel plated brass	

Picture
---------



Dimensions (unit: mm)
-----------------------



Ripple
No Load Current
Max. Load current
Leakage Current
Voltage Drop
Switching Frequency
Response Time
Switching Hysteresis
Repeat Accuracy
Protection Category
Operating Temperature
Temperature Drift
Short Circuit Protection
Overload Trip Point
Material Active Face

<10%
<10mA
200mA
<0.01mA
<1.5V
2KHz    1KHz
0.1ms/0.1ms    0.2ms/0.2ms
<15%(Sr)
<1.0%(Sr)
IP67
-25°C - +70°C
<10%(Sr)
Yes
220mA
POM

<10%
<10mA
200mA
<0.01mA
<1.5V
2KHz    1KHz
0.1ms/0.1ms    0.2ms/0.2ms
<15%(Sr)
<1.0%(Sr)
IP67
-25°C - +70°C
<10%(Sr)
Yes
220mA
POM

Connecting type
Weight

M12 connector
approx.20 g

M12 connector
approx.25 g

DC 3 wire 10-30V NPN N.O.
DC 3 wire 10-30V NPN N.C.
DC 3 wire 10-30V PNP N.O.
DC 3 wire 10-30V PNP N.C.
DC 3 wire 10-55V NPN N.O.
DC 3 wire 10-55V NPN N.C.
DC 3 wire 10-55V PNP N.O.
DC 3 wire 10-55V PNP N.C.
DC 3 wire 5-36 V NPN N.O.
DC 3 wire 5-36 V NPN N.C.
DC 3 wire 5-36 V PNP N.O.
DC 3 wire 5-36 V PNP N.C.

IBS-M802N-A1ES4	1*	IBN-M804N-A1ES4
IBS-M802N-B1ES4	2	IBN-M804N-B1ES4
IBS-M802P-A1ES4	3	IBN-M804P-A1ES4
IBS-M802P-B1ES4	4	IBN-M804P-B1ES4

IBS-M802N-A1EN4	1*	IBN-M804N-A1EN4
IBS-M802N-B1EN4	2	IBN-M804N-B1EN4
IBS-M802P-A1EN4	3	IBN-M804P-A1EN4
IBS-M802P-B1EN4	4	IBN-M804P-B1EN4

\* Wiring diagram number. Please see the relevant wiring diagram shown on Page 013 to Page 015.