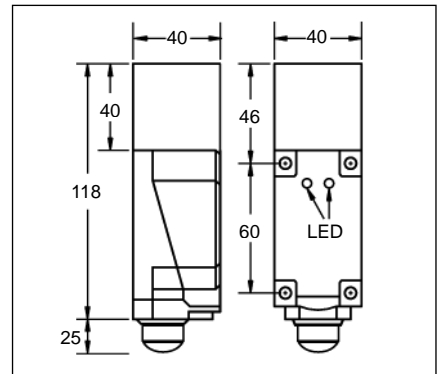
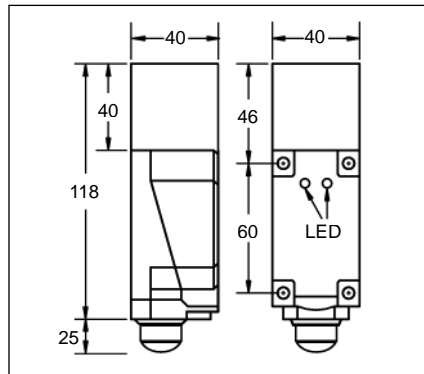
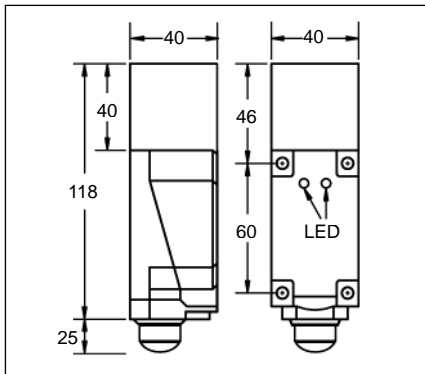


AC/DC INDUCTIVE PROXIMITY SENSOR (20-250VAC/DC)

Q40
●
15 mm
PBT
●

Q40
○
20 mm
PBT
●

Q40
○
30 mm
PBT
●



<2.5mA
200mA
<2.5mA
2.2A(20ms)
5mA
<10VAC; 8VDC
25Hz AC; 40Hz DC
10ms/10ms
<15%(Sr)
<1.0%(Sr)
IP67
-25°C - +70°C
<10%(Sr)
Yes
PBT

<2.5mA
200mA
<2.5mA
2.2A(20ms)
5mA
<10VAC; 8VDC
25Hz AC; 40Hz DC
10ms/10ms
<15%(Sr)
<1.0%(Sr)
IP67
-25°C - +70°C
<10%(Sr)
Yes
PBT

<2.5mA
200mA
<2.5mA
2.2A(20ms)
5mA
<10VAC; 8VDC
25Hz AC; 40Hz DC
10ms/10ms
<15%(Sr)
<1.0%(Sr)
IP67
-25°C - +70°C
<10%(Sr)
Yes
PBT

Terminal
approx.265 g

Terminal
approx.265 g

Terminal
approx.265 g

IPS-Q4015U-A8TN	13
IPS-Q4015U-B8TN	14
IPS-Q4015U-C8TN	17

IPN-Q4020U-A8TN	13
IPN-Q4020U-B8TN	14
IPN-Q4020U-C8TN	17

IPN-Q4030U-A8TN	13
IPN-Q4030U-B8TN	14
IPN-Q4030U-C8TN	17

* Wiring diagram number. Please see the relevant wiring diagram shown on Page 013 and Page 014.