

# AC/DC INDUCTIVE PROXIMITY SENSOR (20-250VAC)

Diameter
● Shielded    ○ non-Shielded
Switching Distance, Sn: mm
Housing Material
● With LED    ○ Without LED

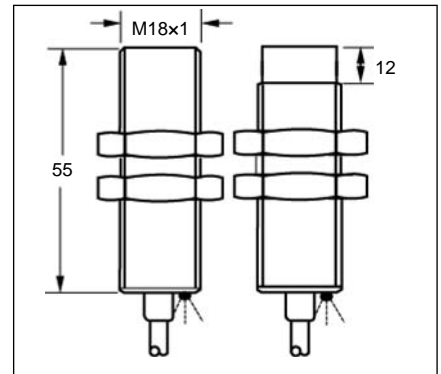
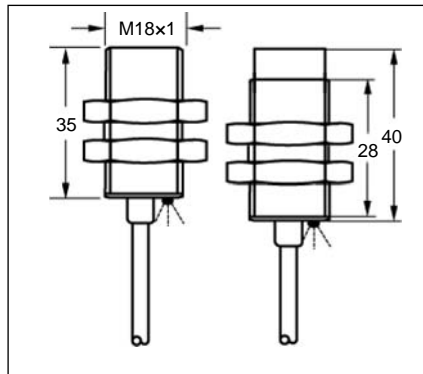
M18	
●	○
5 mm	8 mm
Nickel plated brass	
●	

M18	
●	○
5 mm	8 mm
Nickel plated brass	
●	

Picture
---------



Dimensions (unit: mm)
-----------------------



No Load Current
Max. Load current
Leakage Current
Surge Current
Min. Load Current
Voltage Drop
Switching Frequency
Response Time
Switching Hysteresis
Repeat Accuracy
Protection Category
Operating Temperature
Temperature Drift
Short Circuit Protection
Material Active Face

<2.5mA
200mA
<2.5mA
2.2A(20ms)
5mA
<10VAC; 8VDC
<25Hz AC; 40Hz DC
10ms/10ms
<15%(Sr)
<1.0%(Sr)
IP67
-25°C - +70°C
<10%(Sr)
Yes
PBT

<2.5mA
200mA
<2.5mA
2.2A(20ms)
5mA
<10VAC; 8VDC
25Hz AC; 40Hz DC
10ms/10ms
<15%(Sr)
<1.0%(Sr)
IP67
-25°C - +70°C
<10%(Sr)
Yes
PBT

Connecting type
Weight

2M Cable (5.0 φ 3x0.34)
approx.155 g

2M Cable (5.0 φ 3x0.34)
approx.162 g

AC/DC 20-250V N.O.
AC/DC 20-250V N.C.
AC/DC 20-250V N.O. or N.C. Changeable

IBS-M1805U-A8VS2	15	IBN-M1808U-A8VS2
IBS-M1805U-B8VS2	16	IBN-M1808U-B8VS2

IBS-M1805U-A8VN2	15	IBN-M1808U-A8VN2
IBS-M1805U-B8VN2	16	IBN-M1808U-B8VN2

\* Wiring diagram number. Please see the relevant wiring diagram shown on Page 013 and Page 014.

# AC/DC INDUCTIVE PROXIMITY SENSOR (20-250VAC/DC)

Diameter
● Shielded    ○ non-Shielded
Switching Distance, Sn: mm
Housing Material
● With LED    ○ Without LED

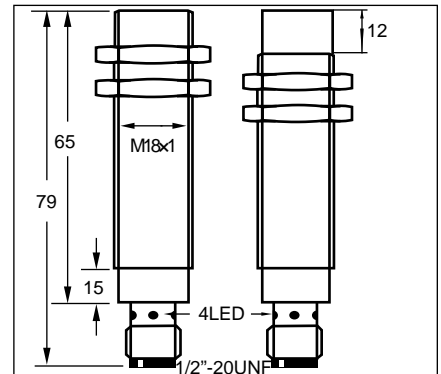
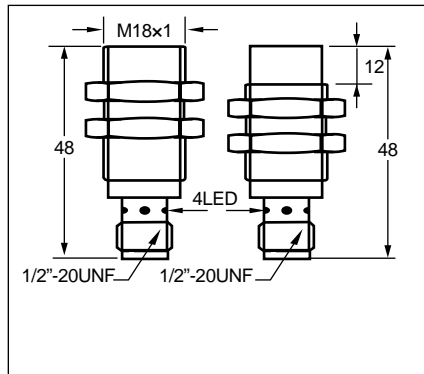
M18	
●	○
5 mm	8 mm
Nickel plated brass	
●	

M18	
●	○
5 mm	8 mm
Nickel plated brass	
●	

Picture
---------



Dimensions (unit: mm)
-----------------------



No Load Current
Max. Load current
Leakage Current
Surge Current
Min. Load Current
Voltage Drop
Switching Frequency
Response Time
Switching Hysteresis
Repeat Accuracy
Protection Category
Operating Temperature
Temperature Drift
Short Circuit Protection
Material Active Face

<2.5mA
200mA
<2.5mA
2.2A(20ms)
5mA
<10VAC; 8VDC
25Hz AC; 40Hz DC
10ms/10ms
<15%(Sr)
<1.0%(Sr)
IP67
-25°C - +70°C
<10%(Sr)
Yes
PBT

<2.5mA
200mA
<2.5mA
2.2A(20ms)
5mA
<10VAC; 8VDC
25Hz AC; 40Hz DC
10ms/10ms
<15%(Sr)
<1.0%(Sr)
IP67
-25°C - +70°C
<10%(Sr)
Yes
PBT

Connecting type
Weight

Micro connector
approx.55 g

Micro connector
approx.70 g

AC/DC 20-250V N.O.
AC/DC 20-250V N.C.
AC/DC 20-250V N.O. or N.C. Changeable

IBS-M1805U-A8MS3	15†	IBN-M1808U-A8MS3
IBS-M1805U-B8MS3	16	IBN-M1808U-B8MS3

IBS-M1805U-A8MN3	15†	IBN-M1808U-A8MN3
IBS-M1805U-B8MN3	16	IBN-M1808U-B8MN3

\* Wiring diagram number. Please see the relevant wiring diagram shown on Page 013 to Page 015.