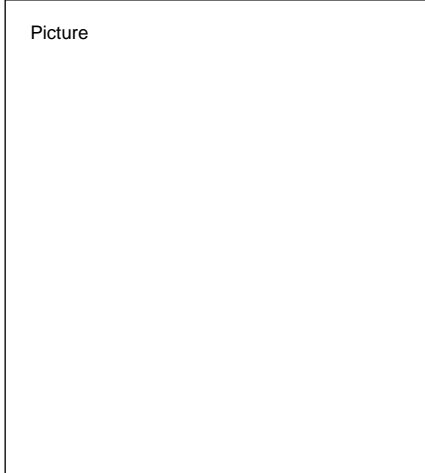


AC INDUCTIVE PROXIMITY SENSOR (20-250VAC)

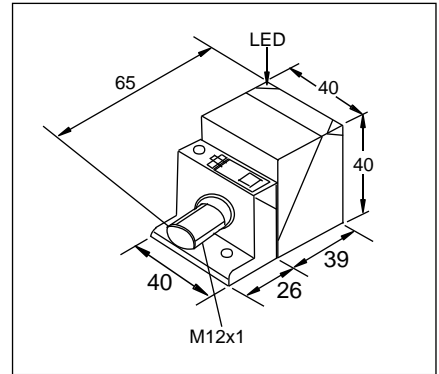
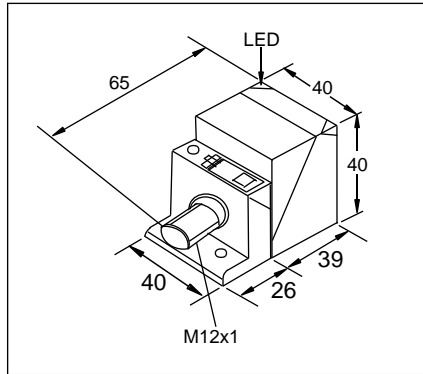
Diameter
● Shielded ○ non-Shielded
Switching Distance, Sn: mm
Housing Material
● With LED ○ Without LED

Q40S
●
15 mm
PBT
●

Q40S
○
30 mm
PBT
●



Dimensions (unit: mm)



No Load Current
Max. Load current
Leakage Current
Surge Current
Min. Load Current
Voltage Drop
Switching Frequency
Response Time
Switching Hysteresis
Repeat Accuracy
Protection Category
Operating Temperature
Temperature Drift
Short Circuit Protection
Material Active Face

<2.5mA
400mA
<2.5mA
5A(20ms)
5mA
<8VAC AT 400mA
<25Hz
10ms/10ms
<15%(Sr)
<1.0%(Sr)
IP67
-25°C - +70°C
<10%(Sr)
NO
PBT

<2.5mA
400mA
<2.5mA
5A(20ms)
5mA
<8VAC AT 400mA
<25Hz
10ms/10ms
<15%(Sr)
<1.0%(Sr)
IP67
-25°C - +70°C
<10%(Sr)
NO
PBT

Connecting type
Weight

Micro connector
approx.170 g

Micro connector
approx.170 g

AC 20-250V N.O.
AC 20-250V N.C.
AC 20-250V N.O. or N.C. Changeable

IPN-Q4015A-A7MS3	9*
IPN-Q4015A-B7MS3	10

IPN-Q4030A-A7MS3	9*
IPN-Q4030A-B7MS3	10

* Wiring diagram number. Please see the relevant wiring diagram shown on Page 013 to Page 015.