

INDUCTIVE PROXIMITY SENSOR DC 2WIRE/4WIRE (10-60VDC/10-30VDC/5-36VDC)

Diameter
● Shielded ○ non-Shielded
Switching Distance, Sn: mm
Housing Material
● With LED ○ Without LED

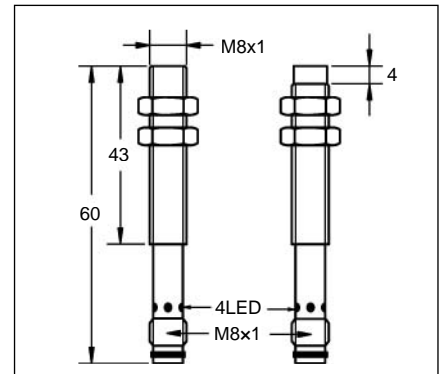
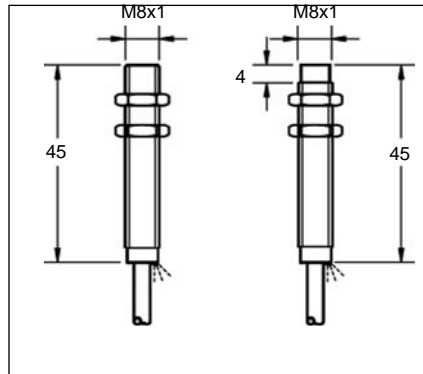
M8	
●	○
1 mm	2 mm
Stainless steel or Nickel plated brass	
●	

M8	
●	○
1 mm	2 mm
Stainless steel or Nickel plated brass	
●	

Picture



Dimensions (unit: mm)



Ripple
No Load Current
Max. Load current
Leakage Current
Voltage Drop
Switching Frequency
Response Time
Switching Hysteresis
Repeat Accuracy
Protection Category
Operating Temperature
Temperature Drift
Short Circuit Protection
Overload Trip Point
Material Active Face

<10%
<10mA
200mA
<0.01mA
<4.5V
2KHz
0.1ms/0.1ms
<15%(Sr)
<1.0%(Sr)
IP67
-25°C - +70°C
<10%(Sr)
Yes
220mA
POM

<10%
<10mA
200mA
<0.01mA
<4.5V
2KHz
0.1ms/0.1ms
<15%(Sr)
<1.0%(Sr)
IP67
-25°C - +70°C
<10%(Sr)
Yes
220mA
POM

Connecting type
Weight

2M Cable (2.9 ϕ 2x0.15 or 4x0.15)
approx.40 g

M8 connector
approx.18 g

DC 2 wire 10-60V N.O.
DC 2 wire 10-60V N.C.
DC 4 wire 10-30V PNP (N.O.+N.C.)
DC 4 wire 10-30V NPN (N.O.+N.C.)
DC 4 wire 5-36V PNP (N.O.+N.C.)
DC 4 wire 5-36V NPN (N.O.+N.C.)

ISS-M801C-A4VN2	7*	ISN-M802C-A4VN2
ISS-M801C-B4VN2	8	ISN-M802C-B4VN2
ISS-M801P-C1VN2	6	ISN-M802P-C1VN2
ISS-M801N-C1VN2	5	ISN-M802N-C1VN2
ISS-M801P-C2VN2	6	ISN-M802P-C2VN2
ISS-M801N-C2VN2	5	ISN-M802N-C2VN2

ISS-M801C-A4PN3	7*	ISN-M802C-A4PN3
ISS-M801C-B4PN3	8	ISN-M802C-B4PN3
ISS-M801P-C1PN4	6	ISN-M802P-C1PN4
ISS-M801N-C1PN4	5	ISN-M802N-C1PN4
ISS-M801P-C2PN4	6	ISN-M802P-C2PN4
ISS-M801N-C2PN4	5	ISN-M802N-C2PN4

* Wiring diagram number. Please see the relevant wiring diagram shown on Page 013 and Page 014.

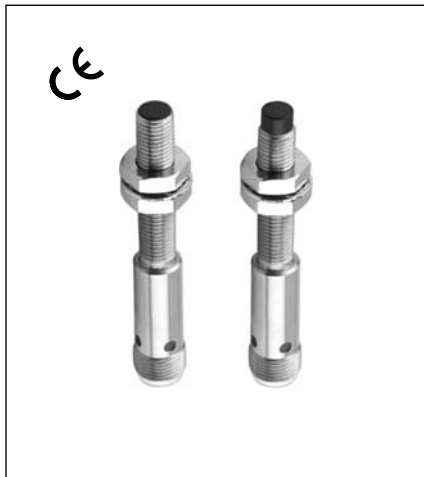
INDUCTIVE PROXIMITY SENSOR DC 2WIRE/4WIRE (10-60VDC/10-30VDC/5-36VDC)

Diameter
● Shielded ○ non-Shielded
Switching Distance, Sn: mm
Housing Material
● With LED ○ Without LED

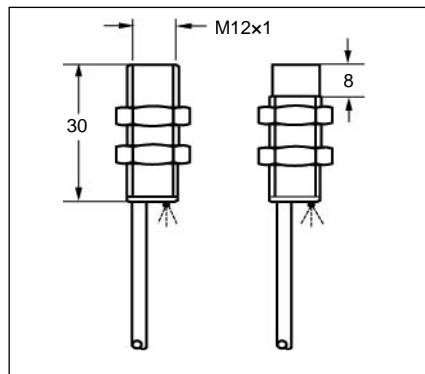
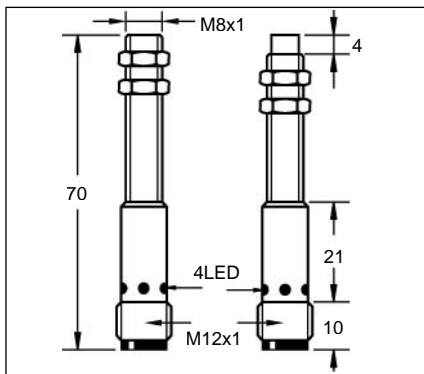
M8	
●	○
1 mm	2 mm
Stainless steel or Nickel plated brass	
●	

M12	
●	○
2 mm	4 mm
Nickel plated brass	
●	

Picture



Dimensions (unit: mm)



Ripple
No Load Current
Max. Load current
Leakage Current
Voltage Drop
Switching Frequency
Response Time
Switching Hysteresis
Repeat Accuracy
Protection Category
Operating Temperature
Temperature Drift
Short Circuit Protection
Overload Trip Point
Material Active Face

<10%
<10mA
200mA
<0.01mA
<4.5V
2KHz
0.1ms/0.1ms
<15%(Sr)
<1.0%(Sr)
IP67
-25°C - +70°C
<10%(Sr)
Yes
220mA
POM

<10%
<10mA
200mA
<0.01mA
<4.5V
2KHz 1KHz
0.1ms/0.1ms 0.2ms/0.2ms
<15%(Sr)
<1.0%(Sr)
IP67
-25°C - +70°C
<10%(Sr)
Yes
220mA
POM PBT

Connecting type
Weight

M12 connector
approx.25 g

2M Cable (4.0 ϕ 2x0.34)
approx.60 g

DC 2 wire 10-60V N.O.
DC 2 wire 10-60V N.C.
DC 4 wire 10-30V PNP (N.O.+N.C.)
DC 4 wire 10-30V NPN (N.O.+N.C.)
DC 4 wire 5-36V PNP (N.O.+N.C.)
DC 4 wire 5-36V NPN (N.O.+N.C.)

IBS-M801C-A4EN4	7*	IBN-M802C-A4EN4
IBS-M801C-B4EN4	8	IBN-M802C-B4EN4
IBS-M801P-C1EN4	6	IBN-M802P-C1EN4
IBS-M801N-C1EN4	5	IBN-M802N-C1EN4
IBS-M801P-C2EN4	6	IBN-M802P-C2EN4
IBS-M801N-C2EN4	5	IBN-M802N-C2EN4

IBS-M1202C-A4VS2	7*	IBN-M1204C-A4VS2
IBS-M1202C-B4VS2	8	IBN-M1204C-B4VS2

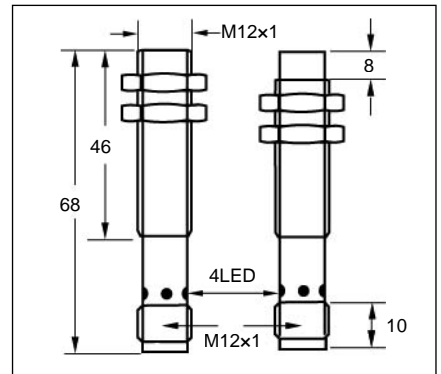
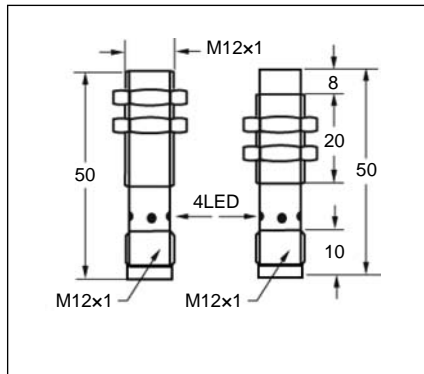
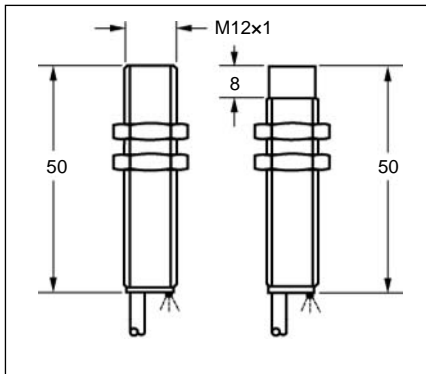
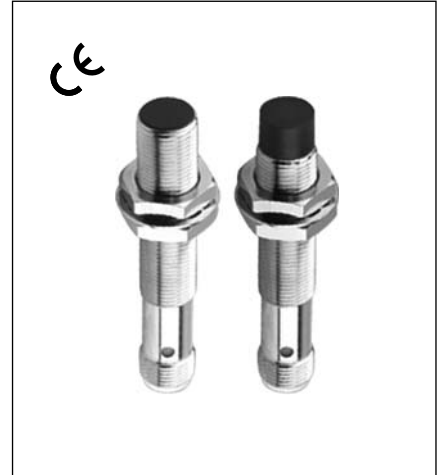
* Wiring diagram number. Please see the relevant wiring diagram shown on Page 013 to Page 015.

INDUCTIVE PROXIMITY SENSOR DC 2WIRE/4WIRE (10-60VDC/10-30VDC/5-36VDC)

M12	
●	○
2 mm	4 mm
Nickel plated brass	
●	

M12	
●	○
2 mm	4 mm
Nickel plated brass	
●	

M12	
●	○
2 mm	4 mm
Nickel plated brass	
●	



<10%	
<10mA	
200mA	
<0.01mA	
<4.5V	
2KHz	1KHz
0.1ms/0.1ms	0.2ms/0.2ms
<15%(Sr)	
<1.0%(Sr)	
IP67	
-25°C - +70°C	
<10%(Sr)	
Yes	
220mA	
POM	PBT

<10%	
<10mA	
200mA	
<0.01mA	
<4.5V	
2KHz	1KHz
0.1ms/0.1ms	0.2ms/0.2ms
<15%(Sr)	
<1.0%(Sr)	
IP67	
-25°C - +70°C	
<10%(Sr)	
YES	
220mA	
POM	PBT

<10%	
<10mA	
200mA	
<0.01mA	
<4.5V	
2KHz	1KHz
0.1ms/0.1ms	0.2ms/0.2ms
<15%(Sr)	
<1.0%(Sr)	
IP67	
-25°C - +70°C	
<10%(Sr)	
Yes	
220mA	
POM	PBT

2M Cable (4.0 φ 2x0.34 or 4x0.15)	
approx.65 g	

M12 connector	
approx.25 g	

M12 connector	
approx.35 g	

IBS-M1202C-A4VN2	7*	IBN-M1204C-A4VN2
IBS-M1202C-B4VN2	8	IBN-M1204C-B4VN2
IBS-M1202P-C1VN2	6	IBN-M1204P-C1VN2
IBS-M1202N-C1VN2	5	IBN-M1204N-C1VN2
IBS-M1202P-C2VN2	6	IBN-M1204P-C2VN2
IBS-M1202N-C2VN2	5	IBN-M1204N-C2VN2

IBS-M1202C-A4ES4	7*	IBN-M1204C-A4ES4
IBS-M1202C-B4ES4	8	IBN-M1204C-B4ES4

IBS-M1202C-A4EN4	7*	IBN-M1204C-A4EN4
IBS-M1202C-B4EN4	8	IBN-M1204C-B4EN4
IBS-M1202P-C1EN4	6	IBN-M1204P-C1EN4
IBS-M1202N-C1EN4	5	IBN-M1204N-C1EN4
IBS-M1202P-C2EN4	6	IBN-M1204P-C2EN4
IBS-M1202N-C2EN4	5	IBN-M1204N-C2EN4

* Wiring diagram number. Please see the relevant wiring diagram shown on Page 013 and Page 014.