

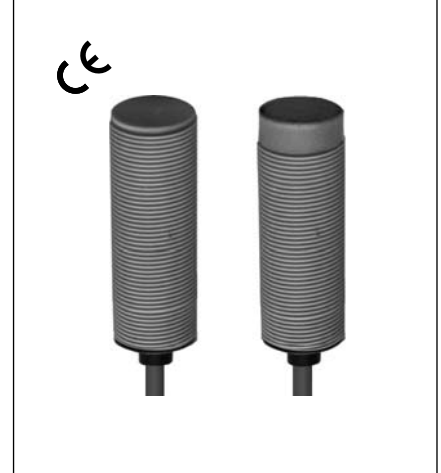
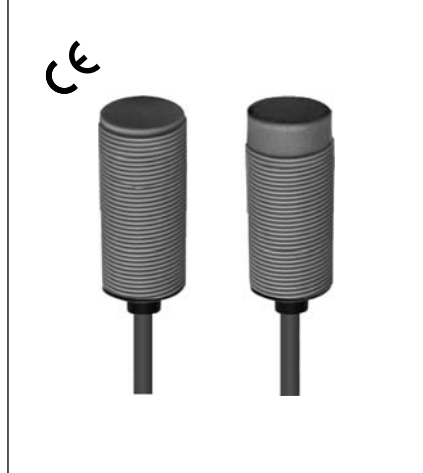
PLASTIC BARREL INDUCTIVE PROXIMITY SENSOR (10-30VDC/10-55VDC/5-36VDC)

| |
|------------------------------|
| Diameter |
| ● Shielded ○ non-Shielded |
| Switching Distance, Sn: mm |
| Housing Material |
| ● With LED ○ Without LED |

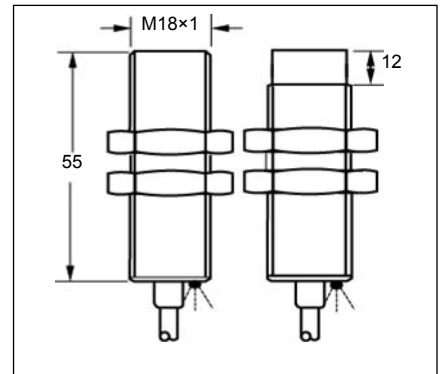
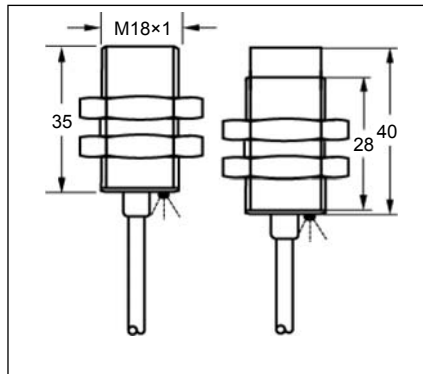
| | |
|------|------|
| M18 | |
| ● | ○ |
| 5 mm | 8 mm |
| PBT | |
| ● | |

| | |
|------|------|
| M18 | |
| ● | ○ |
| 5 mm | 8 mm |
| PBT | |
| ● | |

| |
|---------|
| Picture |
|---------|



| |
|-----------------------|
| Dimensions (unit: mm) |
|-----------------------|



| | |
|--------------------------|----------------------------|
| Ripple | <10% |
| No Load Current | <10mA |
| Max. Load current | 200mA |
| Leakage Current | <0.01mA |
| Voltage Drop | <1.5V |
| Switching Frequency | 1KHz 500Hz |
| Response Time | 0.2ms/0.2ms 0.5ms/0.5ms |
| Switching Hysteresis | <15%(Sr) |
| Repeat Accuracy | <1.0%(Sr) |
| Protection Category | IP67 |
| Operating Temperature | -25°C - +70°C |
| Temperature Drift | <10%(Sr) |
| Short Circuit Protection | Yes |
| Overload Trip Point | 220mA |
| Material Active Face | PBT |

| |
|----------------------------|
| <10% |
| <10mA |
| 200mA |
| <0.01mA |
| <1.5V |
| 1KHz 500Hz |
| 0.2ms/0.2ms 0.5ms/0.5ms |
| <15%(Sr) |
| <1.0%(Sr) |
| IP67 |
| -25°C - +70°C |
| <10%(Sr) |
| Yes |
| 220mA |
| PBT |

| |
|----------------------------|
| <10% |
| <10mA |
| 200mA |
| <0.01mA |
| <1.5V |
| 1KHz 500Hz |
| 0.2ms/0.2ms 0.5ms/0.5ms |
| <15%(Sr) |
| <1.0%(Sr) |
| IP67 |
| -25°C - +70°C |
| <10%(Sr) |
| Yes |
| 220mA |
| PBT |

| | |
|-----------------|-------------------------|
| Connecting type | 2M Cable (5.0 φ 3x0.34) |
| Weight | approx. 125 g |

| |
|-------------------------|
| 2M Cable (5.0 φ 3x0.34) |
| approx. 125 g |

| |
|-------------------------|
| 2M Cable (5.0 φ 3x0.34) |
| approx. 130 g |

| |
|---------------------------|
| DC 3 wire 10-30V NPN N.O. |
| DC 3 wire 10-30V NPN N.C. |
| DC 3 wire 10-30V PNP N.O. |
| DC 3 wire 10-30V PNP N.C. |
| DC 3 wire 10-55V NPN N.O. |
| DC 3 wire 10-55V NPN N.C. |
| DC 3 wire 10-55V PNP N.O. |
| DC 3 wire 10-55V PNP N.C. |
| DC 3 wire 5-36 V NPN N.O. |
| DC 3 wire 5-36 V NPN N.C. |
| DC 3 wire 5-36 V PNP N.O. |
| DC 3 wire 5-36 V PNP N.C. |

| | | |
|------------------|----|------------------|
| IPS-M1805N-A1VS2 | 1* | IPN-M1808N-A1VS2 |
| IPS-M1805N-B1VS2 | 2 | IPN-M1808N-B1VS2 |
| IPS-M1805P-A1VS2 | 3 | IPN-M1808P-A1VS2 |
| IPS-M1805P-B1VS2 | 4 | IPN-M1808P-B1VS2 |
| IPS-M1805N-A3VS2 | 1 | IPN-M1808N-A3VS2 |
| IPS-M1805N-B3VS2 | 2 | IPN-M1808N-B3VS2 |
| IPS-M1805P-A3VS2 | 3 | IPN-M1808P-A3VS2 |
| IPS-M1805P-B3VS2 | 4 | IPN-M1808P-B3VS2 |
| IPS-M1805N-A2VS2 | 1 | IPN-M1808N-A2VS2 |
| IPS-M1805N-B2VS2 | 2 | IPN-M1808N-B2VS2 |
| IPS-M1805P-A2VS2 | 3 | IPN-M1808P-A2VS2 |
| IPS-M1805P-B2VS2 | 4 | IPN-M1808P-B2VS2 |

| | | |
|------------------|----|------------------|
| IPS-M1805N-A1VN2 | 1* | IPN-M1808N-A1VN2 |
| IPS-M1805N-B1VN2 | 2 | IPN-M1808N-B1VN2 |
| IPS-M1805P-A1VN2 | 3 | IPN-M1808P-A1VN2 |
| IPS-M1805P-B1VN2 | 4 | IPN-M1808P-B1VN2 |
| IPS-M1805N-A3VN2 | 1 | IPN-M1808N-A3VN2 |
| IPS-M1805N-B3VN2 | 2 | IPN-M1808N-B3VN2 |
| IPS-M1805P-A3VN2 | 3 | IPN-M1808P-A3VN2 |
| IPS-M1805P-B3VN2 | 4 | IPN-M1808P-B3VN2 |
| IPS-M1805N-A2VN2 | 1 | IPN-M1808N-A2VN2 |
| IPS-M1805N-B2VN2 | 2 | IPN-M1808N-B2VN2 |
| IPS-M1805P-A2VN2 | 3 | IPN-M1808P-A2VN2 |
| IPS-M1805P-B2VN2 | 4 | IPN-M1808P-B2VN2 |

* Wiring diagram number. Please see the relevant wiring diagram shown on Page 013 and Page 014.