
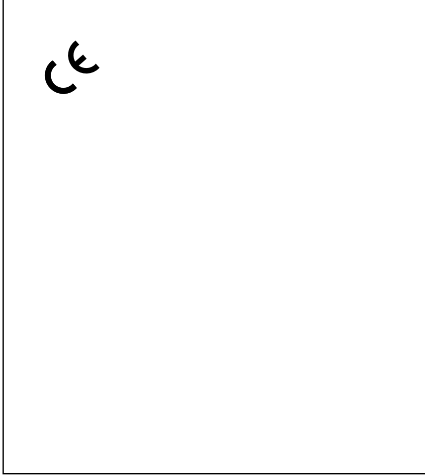
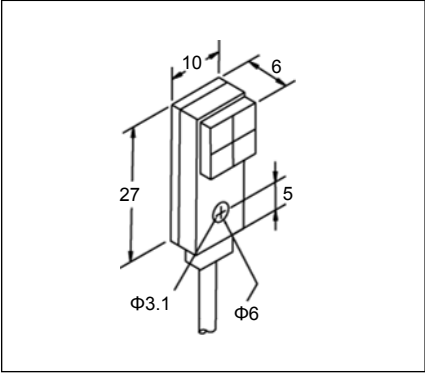


PLASTIC SQUARE INDUCTIVE PROXIMITY SENSOR (10-30VDC/10-55VDC/5-36VDC)

Diameter	Q10	
● Shielded ○ non-Shielded	○	
Switching Distance, Sn: mm	2 mm	
Housing Material	PBT	
● With LED ○ Without LED	●	
Picture		
Dimensions (unit: mm)		
Ripple	<10%	
No Load Current	<10mA	
Max. Load current	100mA	
Leakage Current	<0.01mA	
Voltage Drop	<1.5V	
Switching Frequency	250Hz	
Response Time	0.5ms/0.5ms	
Switching Hysteresis	<15%(Sr)	
Repeat Accuracy	<0.04mm	
Protection Category	IP67	
Operating Temperature	-25°C - +70°C	
Temperature Drift	<10%(Sr)	
Short Circuit Protection	Yes	
Overload Trip Point	120mA	
Material Active Face	PBT	
Connecting type	2M Cable (2.9 φ 3x0.15)	
Weight	approx.20 g	
DC 3 wire 10-30V NPN N.O.	IPN-Q1002N-A1VF2	1*
DC 3 wire 10-30V NPN N.C.	IPN-Q1002N-B1VF2	2
DC 3 wire 10-30V PNP N.O.	IPN-Q1002P-A1VF2	3
DC 3 wire 10-30V PNP N.C.	IPN-Q1002P-B1VF2	4
DC 3 wire 10-55V NPN N.O.		
DC 3 wire 10-55V NPN N.C.		
DC 3 wire 10-55V PNP N.O.		
DC 3 wire 10-55V PNP N.C.		
DC 3 wire 5-36 V NPN N.O.		
DC 3 wire 5-36 V NPN N.C.		
DC 3 wire 5-36 V PNP N.O.		
DC 3 wire 5-36 V PNP N.C.		

* Wiring diagram number. Please see the relevant wiring diagram shown on Page 013 to Page 015.