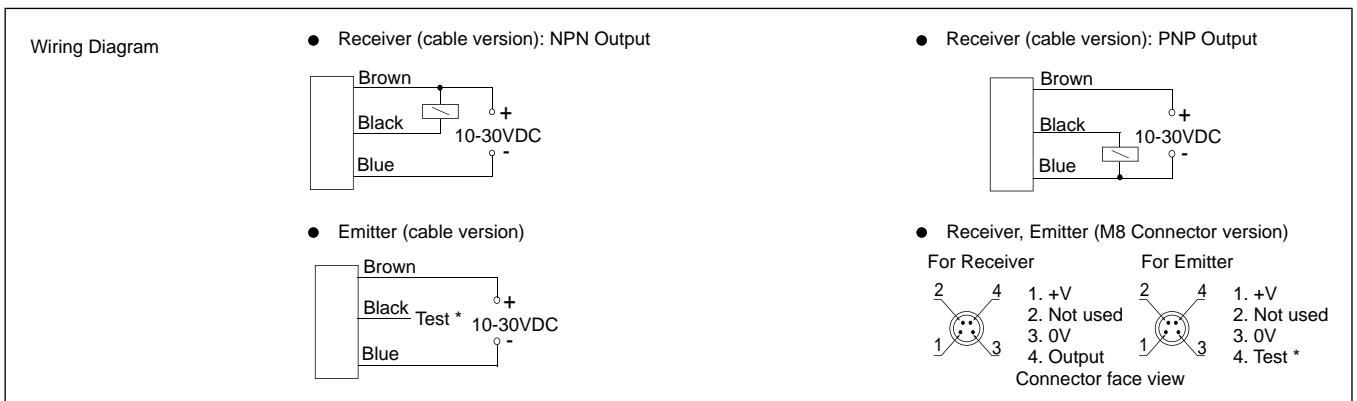
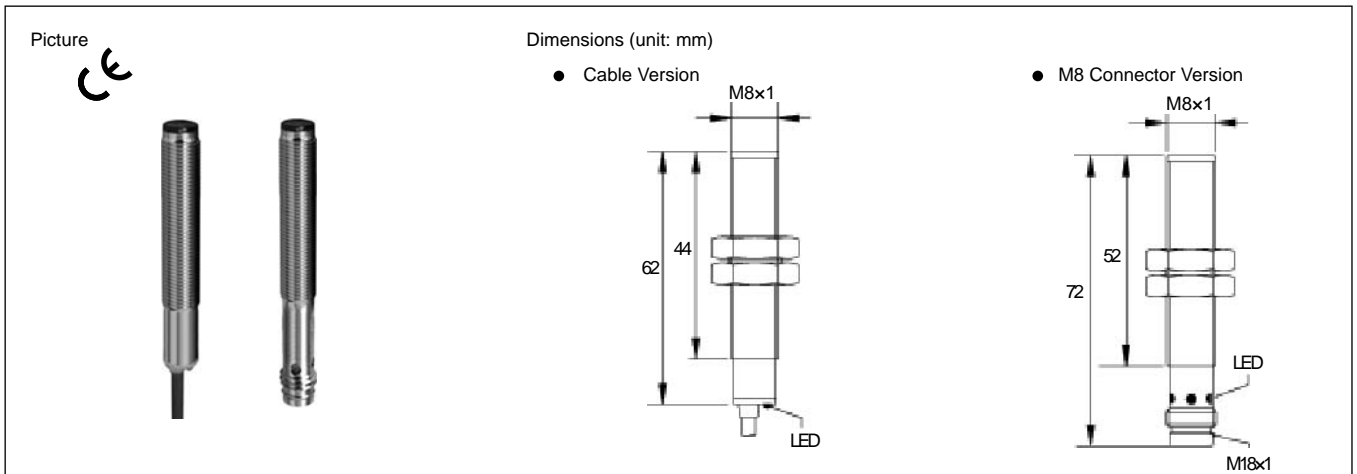


M8 SERIES PHOTOELECTRIC SENSOR (10-30VDC)

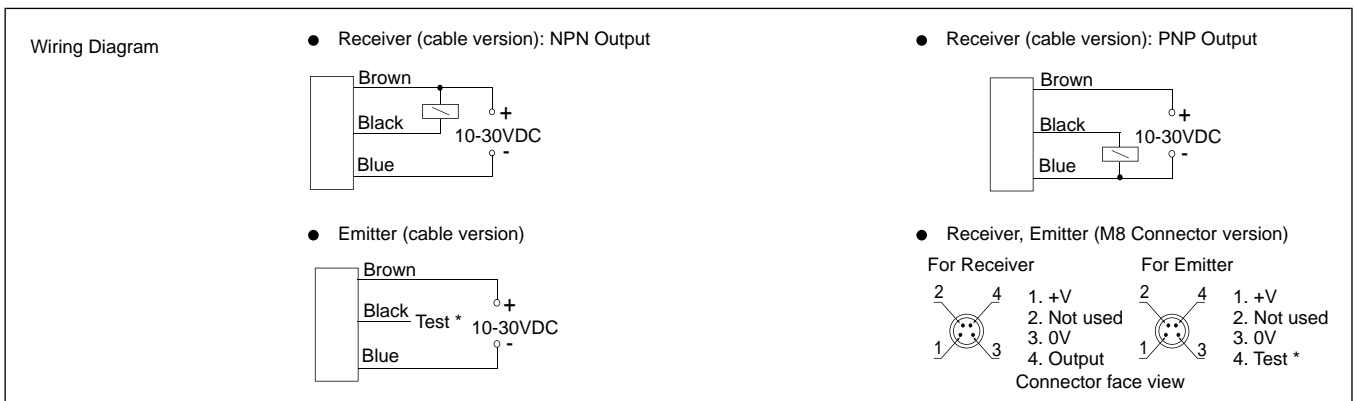
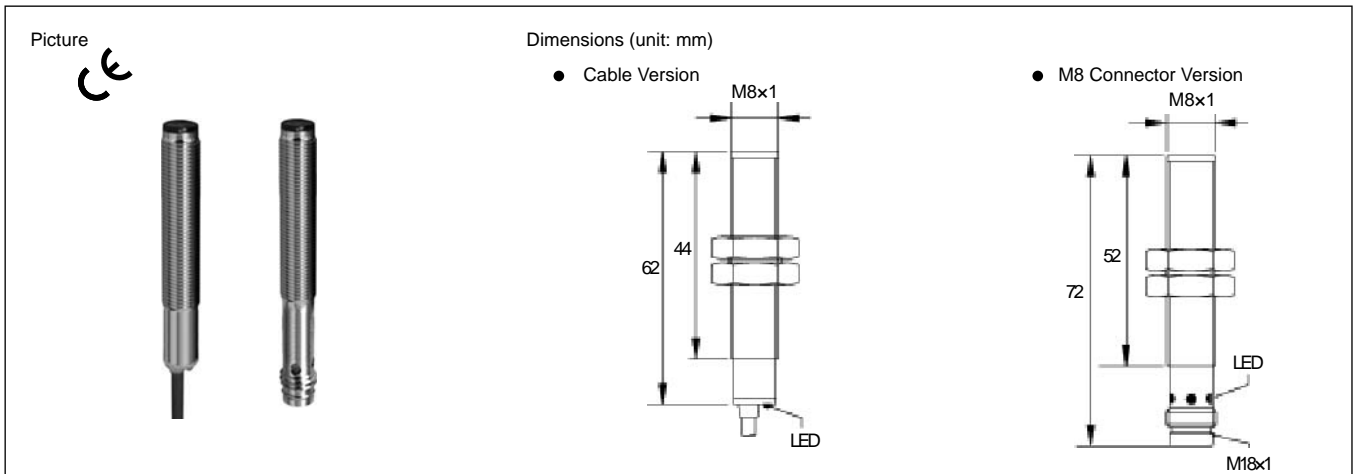
Series	M8		M8		
Sensing Mode	Through-beam		Through-beam		
Sensing Schematic					
Sensing Range	80mm		150mm		
Supply Voltage	10-30VDC (±10%)		10-30VDC (±10%)		
No Load Current	≤30mA		≤30mA		
Max. Load current	150mA		150mA		
Voltage Drop (Sensor ON)	≤2.5V		≤2.5V		
Switching Hysteresis	<10%(Sr)		<10%(Sr)		
Output	PNP or NPN		PNP or NPN		
Output Operation	Light On or Dark On		Light On or Dark On		
Response Time	1ms		1ms		
Emitting Element	Red (660nm)		Infrared (880nm)		
Protection Category	IP67		IP67		
Operating Temperature	-25°C - +55°C		-25°C - +55°C		
Ambient Humidity	35% - 85% RH		35% - 85% RH		
Light Immunity	>10,000Lux		>10,000Lux		
Tolerance	±10%(Sr)		±10%(Sr)		
Short Circuit Protection	Yes		Yes		
Electric Protections	Yes		Yes		
Sensing Object	Φ8mm or more		Φ8mm or more		
Weight	approx.60 g		approx.35 g		
Housing Material	Stainless steel	Nickel plated brass	Stainless steel	Nickel plated brass	
2m PVC Cable (2.9φ 3x0.15)	Emitter	PSM8-T008E-H1V2	PBM8-T008E-H1V2	PSM8-T015E-H1V2	PBM8-T015E-H1V2
	NPN Light On	PSM8-T008N-A1V2	PBM8-T008N-A1V2	PSM8-T015N-A1V2	PBM8-T015N-A1V2
	NPN Dark On	PSM8-T008N-B1V2	PBM8-T008N-B1V2	PSM8-T015N-B1V2	PBM8-T015N-B1V2
	PNP Light On	PSM8-T008P-A1V2	PBM8-T008P-A1V2	PSM8-T015P-A1V2	PBM8-T015P-A1V2
	PNP Dark On	PSM8-T008P-B1V2	PBM8-T008P-B1V2	PSM8-T015P-B1V2	PBM8-T015P-B1V2
M8 Connector	Emitter	PSM8-T008E-H1P4	PBM8-T008E-H1P4	PSM8-T015E-H1P4	PBM8-T015E-H1P4
	NPN Light On	PSM8-T008N-A1P4	PBM8-T008N-A1P4	PSM8-T015N-A1P4	PBM8-T015N-A1P4
	NPN Dark On	PSM8-T008N-B1P4	PBM8-T008N-B1P4	PSM8-T015N-B1P4	PBM8-T015N-B1P4
	PNP Light On	PSM8-T008P-A1P4	PBM8-T008P-A1P4	PSM8-T015P-A1P4	PBM8-T015P-A1P4
	PNP Dark On	PSM8-T008P-B1P4	PBM8-T008P-B1P4	PSM8-T015P-B1P4	PBM8-T015P-B1P4



* Test (Black wire)=0V, Emitter off.

M8 SERIES PHOTOELECTRIC SENSOR (10-30VDC)

Series	M8		M8		
Sensing Mode	Through-beam		Through-beam		
Sensing Schematic					
Sensing Range	1000mm		3000mm		
Supply Voltage	10-30VDC (±10%)		10-30VDC (±10%)		
No Load Current	≤30mA		≤30mA		
Max. Load current	150mA		150mA		
Voltage Drop (Sensor ON)	≤2.5V		≤2.5V		
Switching Hysteresis	<10%(Sr)		<10%(Sr)		
Output	PNP or NPN		PNP or NPN		
Output Operation	Light On or Dark On		Light On or Dark On		
Response Time	1ms		1ms		
Emitting Element	Infrared (880nm)		Infrared (880nm)		
Protection Category	IP67		IP67		
Operating Temperature	-25°C - +55°C		-25°C - +55°C		
Ambient Humidity	35% - 85% RH		35% - 85% RH		
Light Immunity	>10,000Lux		>10,000Lux		
Tolerance	±10%(Sr)		±10%(Sr)		
Short Circuit Protection	Yes		Yes		
Electric Protections	Yes		Yes		
Sensing Object	Φ8mm or more		Φ8mm or more		
Weight	approx.60 g		approx.35 g		
Housing Material	Stainless steel	Nickel plated brass	Stainless steel	Nickel plated brass	
2m PVC Cable (2.9φ 3x0.15)	Emitter	PSM8-T1E-H1V2	PBM8-T1E-H1V2	PSM8-T3E-H1V2	PBM8-T3E-H1V2
	NPN Light On	PSM8-T1N-A1V2	PBM8-T1N-A1V2	PSM8-T3N-A1V2	PBM8-T3N-A1V2
	NPN Dark On	PSM8-T1N-B1V2	PBM8-T1N-B1V2	PSM8-T3N-B1V2	PBM8-T3N-B1V2
	PNP Light On	PSM8-T1P-A1V2	PBM8-T1P-A1V2	PSM8-T3P-A1V2	PBM8-T3P-A1V2
	PNP Dark On	PSM8-T1P-B1V2	PBM8-T1P-B1V2	PSM8-T3P-B1V2	PBM8-T3P-B1V2
M8 Connector	Emitter	PSM8-T1E-H1P4	PBM8-T1E-H1P4	PSM8-T3E-H1P4	PBM8-T3E-H1P4
	NPN Light On	PSM8-T1N-A1P4	PBM8-T1N-A1P4	PSM8-T3N-A1P4	PBM8-T3N-A1P4
	NPN Dark On	PSM8-T1N-B1P4	PBM8-T1N-B1P4	PSM8-T3N-B1P4	PBM8-T3N-B1P4
	PNP Light On	PSM8-T1P-A1P4	PBM8-T1P-A1P4	PSM8-T3P-A1P4	PBM8-T3P-A1P4
	PNP Dark On	PSM8-T1P-B1P4	PBM8-T1P-B1P4	PSM8-T3P-B1P4	PBM8-T3P-B1P4



* Test (Black wire)=0V, Emitter off.