

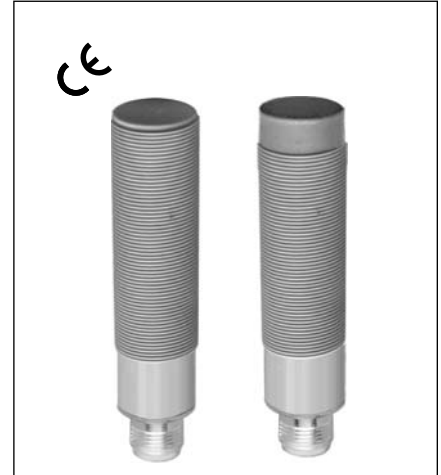
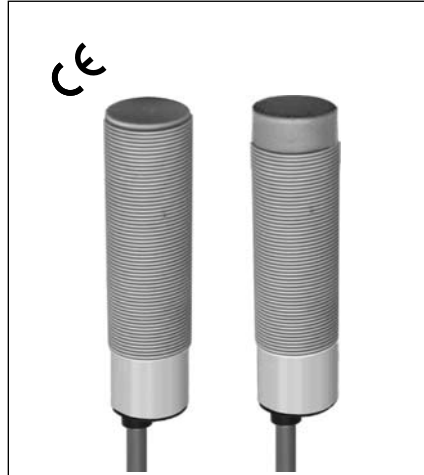
AC/DC CAPACITIVE PROXIMITY SENSOR (20-250VAC/DC)

Diameter
● Shielded ○ non-Shielded
Switching Distance, Sn: mm
Housing Material
● With LED ○ Without LED

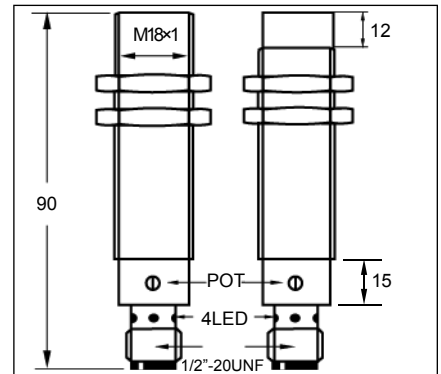
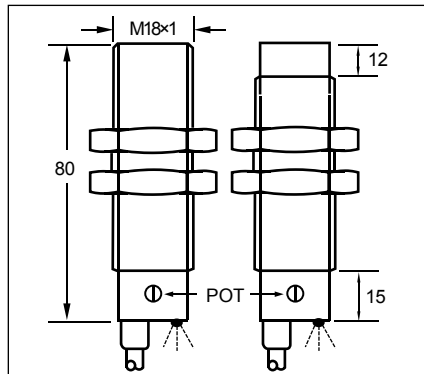
M18	
●	○
2-8 mm	2-15 mm
PBT	
●	

M18	
●	○
2-8 mm	2-15 mm
PBT	
●	

Picture



Dimensions (unit: mm)



Ripple
No Load Current
Max. Load current
Leakage Current
Surge Current
Min. Load Current
Voltage Drop
Switching Frequency
Response Time
Switching Hysteresis
Repeat Accuracy
Protection Category
Operating Temperature
Temperature Drift
Material Active Face

DC Ripple <10%
<2.5mA
200mA
<2.5mA
2.2A(20ms)
5mA
<10VAC ; 8VDC
<25Hz AC ; 40Hz DC
10ms/10ms
<15%(Sr)
<1%(Sr)
IP67
-25°C- +70°C
<±15%(Sr)
PBT

DC Ripple <10%
<2.5mA
200mA
<2.5mA
2.2A(20ms)
5mA
<10VAC ; 8VDC
<25Hz AC ; 40Hz DC
10ms/10ms
<15%(Sr)
<1%(Sr)
IP67
-25°C- +70°C
<±15%(Sr)
PBT

Connecting type
Weight

2M Cable (5.0 φ 2x0.5)
approx.95 g

Micro connector
approx.80 g

AC/DC 20-250V N.O.
AC/DC 20-250V N.C.
AC/DC 20-250V N.O. or N.C. Changeable

CPS-M1808U-A8VN2	13	CPN-M1815U-A8VN2
CPS-M1808U-B8VN2	14	CPN-M1815U-B8VN2

CPS-M1808U-A8MN3	13	CPN-M1815U-A8MN3
CPS-M1808U-B8MN3	14	CPN-M1815U-B8MN3

* Wiring diagram number. Please see the relevant wiring diagram shown on Page 013 to Page 015.