

# AC CAPACITIVE PROXIMITY SENSOR (20-250VAC)

Diameter
● Shielded    ○ non-Shielded
Switching Distance, Sn: mm
Housing Material
● With LED    ○ Without LED

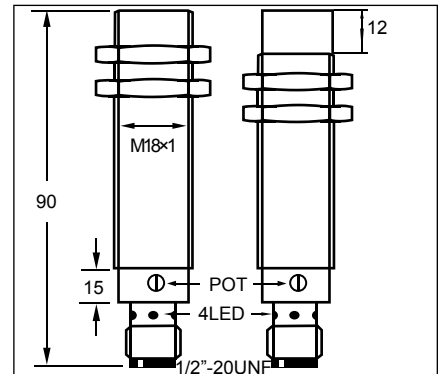
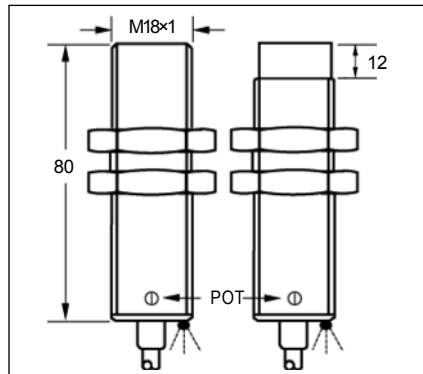
M18	
●	○
2-8 mm	2-15 mm
Nickel plated brass	
●	

M18	
●	○
2-8 mm	2-15 mm
Nickel plated brass	
●	

Picture
---------



Dimensions (unit: mm)
-----------------------



No Load Current
Max. Load current
Leakage Current
Surge Current
Min. Load Current
Voltage Drop
Switching Frequency
Response Time
Switching Hysteresis
Repeat Accuracy
Protection Category
Operating Temperature
Temperature Drift
Short Circuit Protection
Material Active Face

<2.5mA
300mA
<2.5mA
5A
5mA
<9VAC AT 300mA
<25Hz
10ms/10ms
<15%(Sr)
<5%(Sr)
IP67
-25°C - +70°C
<10%(Sr)
NO
PBT

<2.5mA
300mA
<2.5mA
5A
5mA
<9VAC AT 300mA
<25Hz
10ms/10ms
<15%(Sr)
<5%(Sr)
IP67
-25°C - +70°C
<10%(Sr)
NO
PBT

Connecting type
Weight

2M Cable (5.0 φ 3x0.34)
approx. 115 g

Micro connector
approx. 70 g

AC 20-250V N.O.
AC 20-250V N.C.
AC 20-250V N.O. or N.C. Changeable

CBS-M1808A-A7VN2	11*	CBN-M1815A-A7VN2
CBS-M1808A-B7VN2	12	CBN-M1815A-B7VN2

CBS-M1808A-A7MN3	11*	CBN-M1815A-A7MN3
CBS-M1808A-B7MN3	12	CBN-M1815A-B7MN3

\* Wiring diagram number. Please see the relevant wiring diagram shown on Page 013 to Page 015.