

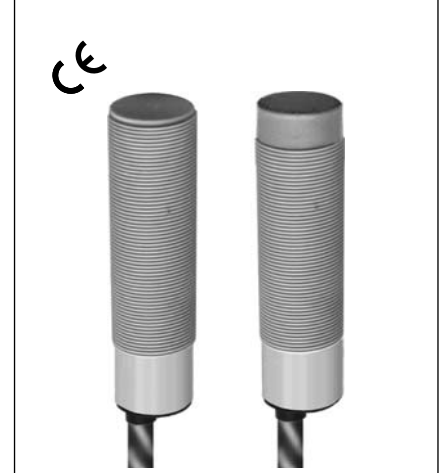
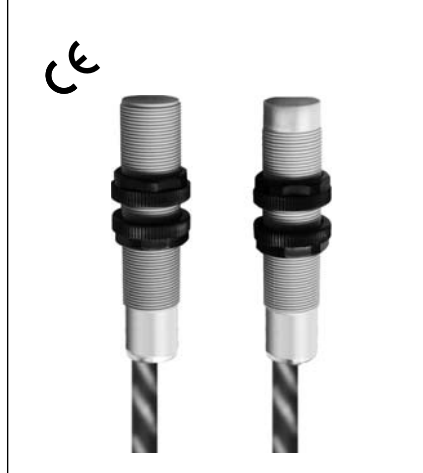
PTFE HOUSING CAPACITIVE PROXIMITY SENSOR (10-30VDC)

Diameter
● Shielded ○ non-Shielded
Switching Distance, Sn: mm
Housing Material
● With LED ○ Without LED

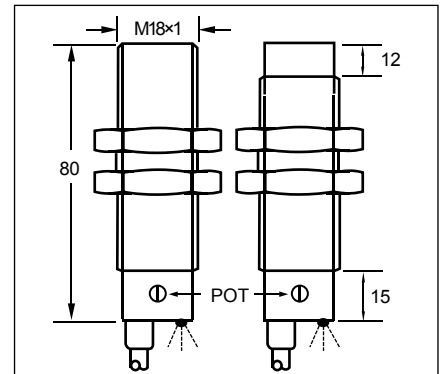
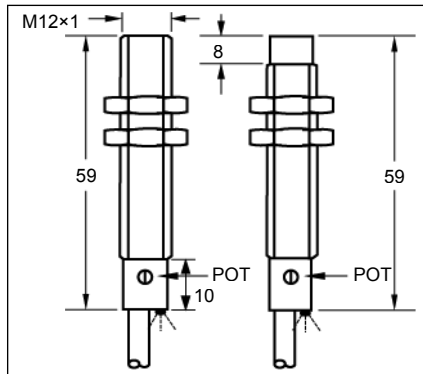
M12	
●	○
1-3 mm	1-6 mm
PTFE	
●	

M18	
●	○
2-8 mm	2-15 mm
PTFE	
●	

Picture



Dimensions (unit: mm)



Ripple
No Load Current
Max. Load current
Leakage Current
Voltage Drop
Switching Frequency
Response Time
Switching Hysteresis
Repeat Accuracy
Protection Category
Operating Temperature
Temperature Drift
Short Circuit Protection
Overload Trip Point
Material Active Face

<10%
<10mA
200mA
<0.01mA
<2VDC
100Hz
1.5ms/1.5ms
<15%(Sr)
<5.0%(Sr)
IP67
-25°C - +70°C
<10%(Sr)
Yes
220mA
PTFE

<10%
<10mA
300mA
<0.01mA
<2VDC
100Hz
1.5ms/1.5ms
<15%(Sr)
<5.0%(Sr)
IP67
-25°C - +70°C
<10%(Sr)
Yes
350mA
PTFE

Connecting type
Weight

2M PTFE Cable (4.0 φ 3x0.25)
approx.70 g

2M PTFE Cable (5.0 φ 3x0.34)
approx.95 g

DC 3 wire 10-30V NPN N.O.
DC 3 wire 10-30V NPN N.C.
DC 3 wire 10-30V PNP N.O.
DC 3 wire 10-30V PNP N.C.
DC 3 wire 10-55V NPN N.O.
DC 3 wire 10-55V NPN N.C.
DC 3 wire 10-55V PNP N.O.
DC 3 wire 10-55V PNP N.C.
DC 3 wire 5-36 V NPN N.O.
DC 3 wire 5-36 V NPN N.C.
DC 3 wire 5-36 V PNP N.O.
DC 3 wire 5-36 V PNP N.C.

CTS-M1203N-A1FN2	1*	CTN-M1206N-A1FN2
CTS-M1203N-B1FN2	2	CTN-M1206N-B1FN2
CTS-M1203P-A1FN2	3	CTN-M1206P-A1FN2
CTS-M1203P-B1FN2	4	CTN-M1206P-B1FN2

CTS-M1808N-A1FN2	1*	CTN-M1815N-A1FN2
CTS-M1808N-B1FN2	2	CTN-M1815N-B1FN2
CTS-M1808P-A1FN2	3	CTN-M1815P-A1FN2
CTS-M1808P-B1FN2	4	CTN-M1815P-B1FN2

* Wiring diagram number. Please see the relevant wiring diagram shown on Page 013 to Page 015.