

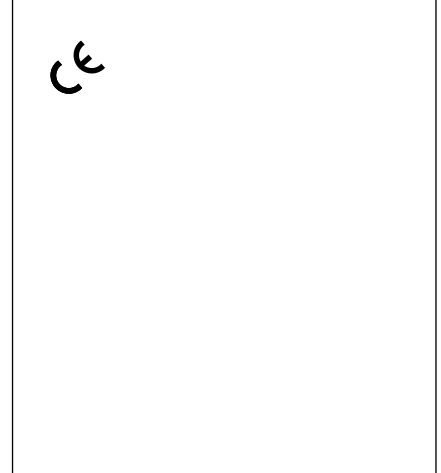
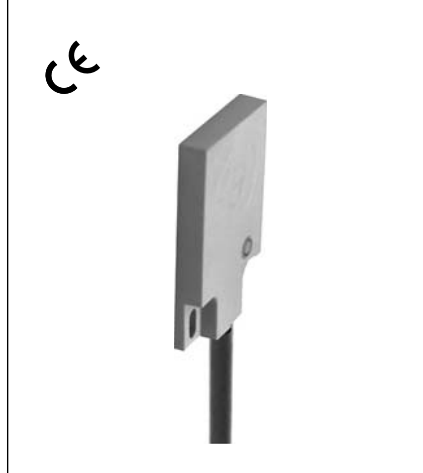
# SQUARE HOUSING CAPACITIVE PROXIMITY SENSOR (10-30VDC)

|                              |
|------------------------------|
| Diameter                     |
| ● Shielded    ○ non-Shielded |
| Switching Distance, Sn: mm   |
| Housing Material             |
| ● With LED    ○ Without LED  |

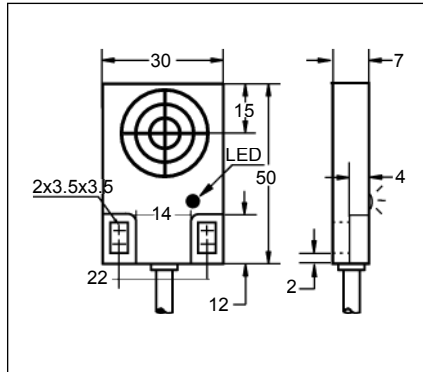
|          |         |
|----------|---------|
| Q30x50x7 |         |
| ●        | ○       |
| 2-6 mm   | 2-10 mm |
| PBT      |         |
| ●        |         |

|  |
|--|
|  |
|  |
|  |
|  |

|         |
|---------|
| Picture |
|---------|



|                       |
|-----------------------|
| Dimensions (unit: mm) |
|-----------------------|



|  |
|--|
|  |
|  |
|  |
|  |

|                          |
|--------------------------|
| Ripple                   |
| No Load Current          |
| Max. Load current        |
| Leakage Current          |
| Voltage Drop             |
| Switching Frequency      |
| Response Time            |
| Switching Hysteresis     |
| Repeat Accuracy          |
| Protection Category      |
| Operating Temperature    |
| Temperature Drift        |
| Short Circuit Protection |
| Overload Trip Point      |
| Material Active Face     |

|               |
|---------------|
| <10%          |
| <10mA         |
| 200mA         |
| <0.01mA       |
| <2VDC         |
| 100Hz         |
| 1.5ms/1.5ms   |
| <15%(Sr)      |
| <5.0%(Sr)     |
| IP67          |
| -25°C - +70°C |
| <10%(Sr)      |
| Yes           |
| 220mA         |
| PBT           |

|  |
|--|
|  |
|  |
|  |
|  |
|  |
|  |
|  |
|  |
|  |
|  |
|  |
|  |
|  |
|  |

|                 |
|-----------------|
| Connecting type |
| Weight          |

|                         |
|-------------------------|
| 2M Cable (4.0 φ 3x0.25) |
| approx.80 g             |

|  |
|--|
|  |
|  |

|                           |
|---------------------------|
| DC 3 wire 10-30V NPN N.O. |
| DC 3 wire 10-30V NPN N.C. |
| DC 3 wire 10-30V PNP N.O. |
| DC 3 wire 10-30V PNP N.C. |
| DC 3 wire 10-55V NPN N.O. |
| DC 3 wire 10-55V NPN N.C. |
| DC 3 wire 10-55V PNP N.O. |
| DC 3 wire 10-55V PNP N.C. |
| DC 3 wire 5-36 V NPN N.O. |
| DC 3 wire 5-36 V NPN N.C. |
| DC 3 wire 5-36 V PNP N.O. |
| DC 3 wire 5-36 V PNP N.C. |

|                  |    |                  |
|------------------|----|------------------|
| CPS-Q3006N-A1VN2 | 1* | CPN-Q3010N-A1VN2 |
| CPS-Q3006N-B1VN2 | 2  | CPN-Q3010N-B1VN2 |
| CPS-Q3006P-A1VN2 | 3  | CPN-Q3010P-A1VN2 |
| CPS-Q3006P-B1VN2 | 4  | CPN-Q3010P-B1VN2 |
|                  |    |                  |
|                  |    |                  |
|                  |    |                  |
|                  |    |                  |
|                  |    |                  |
|                  |    |                  |
|                  |    |                  |
|                  |    |                  |
|                  |    |                  |

|  |  |
|--|--|
|  |  |
|  |  |
|  |  |
|  |  |
|  |  |
|  |  |
|  |  |
|  |  |
|  |  |
|  |  |
|  |  |
|  |  |
|  |  |
|  |  |

\* Wiring diagram number. Please see the relevant wiring diagram shown on Page 013 to Page 015.