

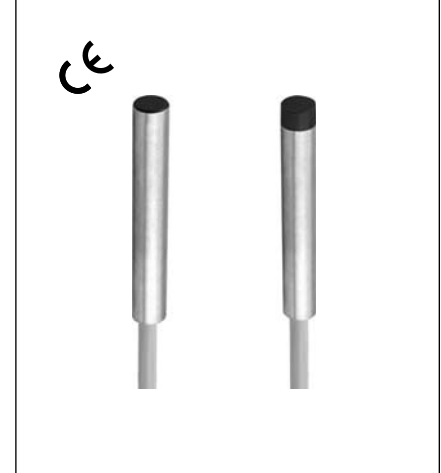
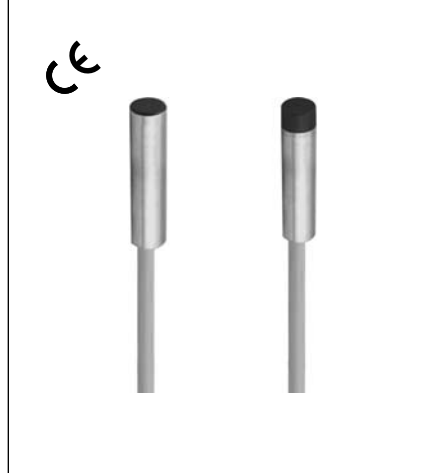
CAPACITIVE PROXIMITY SENSOR (10-30VDC)

Diameter
● Shielded ○ non-Shielded
Switching Distance, Sn: mm
Housing Material
● With LED ○ Without LED

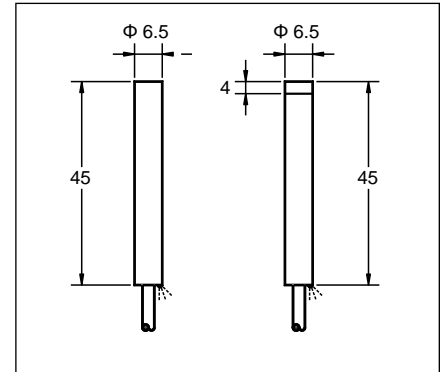
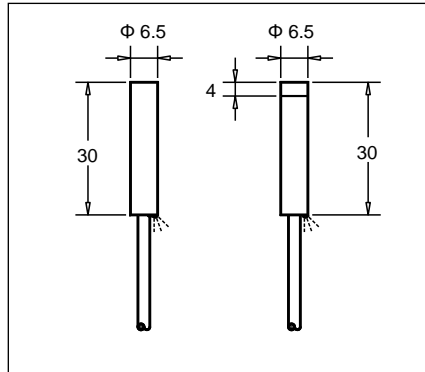
φ 6.5	
●	○
1 mm	2 mm
Stainless steel	
●	

φ 6.5	
●	○
1 mm	2 mm
Stainless steel	
●	

Picture



Dimensions (unit: mm)



Ripple
No Load Current
Max. Load current
Leakage Current
Voltage Drop
Switching Frequency
Response Time
Switching Hysteresis
Repeat Accuracy
Protection Category
Operating Temperature
Temperature Drift
Short Circuit Protection
Overload Trip Point
Material Active Face

<10%
<10mA
200mA
<0.01mA
<2VDC
100Hz
1.5ms/1.5ms
<15%(Sr)
<5.0%(Sr)
IP67
-25°C - +70°C
<10%(Sr)
Yes
220mA
POM

<10%
<10mA
200mA
<0.01mA
<2VDC
100Hz
1.5ms/1.5ms
<15%(Sr)
<5.0%(Sr)
IP67
-25°C - +70°C
<10%(Sr)
Yes
220mA
POM

Connecting type
Weight

2M Cable (2.9 φ 3x0.15)
approx.36 g

2M Cable (2.9 φ 3x0.15)
approx.40 g

DC 3 wire 10-30V NPN N.O.
DC 3 wire 10-30V NPN N.C.
DC 3 wire 10-30V PNP N.O.
DC 3 wire 10-30V PNP N.C.
DC 3 wire 10-55V NPN N.O.
DC 3 wire 10-55V NPN N.C.
DC 3 wire 10-55V PNP N.O.
DC 3 wire 10-55V PNP N.C.
DC 3 wire 5-36 V NPN N.O.
DC 3 wire 5-36 V NPN N.C.
DC 3 wire 5-36 V PNP N.O.
DC 3 wire 5-36 V PNP N.C.

CSS-S6.501N-A1VS2	1*	CSN-S6.502N-A1VS2
CSS-S6.501N-B1VS2	2	CSN-S6.502N-B1VS2
CSS-S6.501P-A1VS2	3	CSN-S6.502P-A1VS2
CSS-S6.501P-B1VS2	4	CSN-S6.502P-B1VS2

CSS-S6.501N-A1VN2	1*	CSN-S6.502N-A1VN2
CSS-S6.501N-B1VN2	2	CSN-S6.502N-B1VN2
CSS-S6.501P-A1VN2	3	CSN-S6.502P-A1VN2
CSS-S6.501P-B1VN2	4	CSN-S6.502P-B1VN2

* Wiring diagram number. Please see the relevant wiring diagram shown on Page 013 to Page 015.

CAPACITIVE PROXIMITY SENSOR (10-30VDC)

Diameter	φ 6.5		φ 6.5			
● Shielded ○ non-Shielded	●	○	●	○		
Switching Distance, Sn: mm	1 mm	2 mm	1 mm	2 mm		
Housing Material	Stainless steel		Stainless steel			
● With LED ○ Without LED	●	○	●	○		
Picture						
Dimensions (unit: mm)						
Ripple	<10%		<10%			
No Load Current	<10mA		<10mA			
Max. Load current	200mA		200mA			
Leakage Current	<0.01mA		<0.01mA			
Voltage Drop	<2VDC		<2VDC			
Switching Frequency	100Hz		100Hz			
Response Time	1.5ms/1.5ms		1.5ms/1.5ms			
Switching Hysteresis	<15%(Sr)		<15%(Sr)			
Repeat Accuracy	<5.0%(Sr)		<5.0%(Sr)			
Protection Category	IP67		IP67			
Operating Temperature	-25°C - +70°C		-25°C - +70°C			
Temperature Drift	<10%(Sr)		<10%(Sr)			
Short Circuit Protection	Yes		Yes			
Overload Trip Point	220mA		220mA			
Material Active Face	POM		POM			
Connecting type	M8 connector		M8 connector			
Weight	approx. 14 g		approx. 18 g			
DC 3 wire 10-30V NPN N.O.	CSS-S6.501N-A1PS3	1*	CSN-S6.502N-A1PS3	CSS-S6.501N-A1PN3	1*	CSN-S6.502N-A1PN3
DC 3 wire 10-30V NPN N.C.	CSS-S6.501N-B1PS3	2	CSN-S6.502N-B1PS3	CSS-S6.501N-B1PN3	2	CSN-S6.502N-B1PN3
DC 3 wire 10-30V PNP N.O.	CSS-S6.501P-A1PS3	3	CSN-S6.502P-A1PS3	CSS-S6.501P-A1PN3	3	CSN-S6.502P-A1PN3
DC 3 wire 10-30V PNP N.C.	CSS-S6.501P-B1PS3	4	CSN-S6.502P-B1PS3	CSS-S6.501P-B1PN3	4	CSN-S6.502P-B1PN3
DC 3 wire 10-55V NPN N.O.						
DC 3 wire 10-55V NPN N.C.						
DC 3 wire 10-55V PNP N.O.						
DC 3 wire 10-55V PNP N.C.						
DC 3 wire 5-36 V NPN N.O.						
DC 3 wire 5-36 V NPN N.C.						
DC 3 wire 5-36 V PNP N.O.						
DC 3 wire 5-36 V PNP N.C.						

* Wiring diagram number. Please see the relevant wiring diagram shown on Page 013 and Page 014.

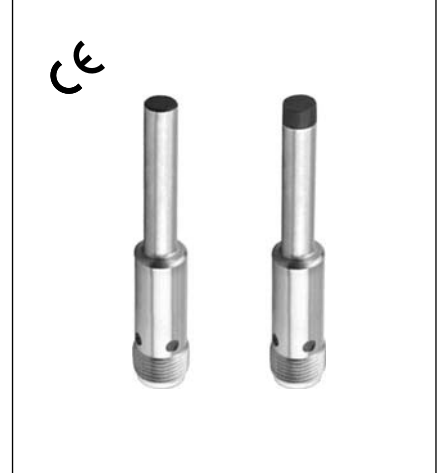
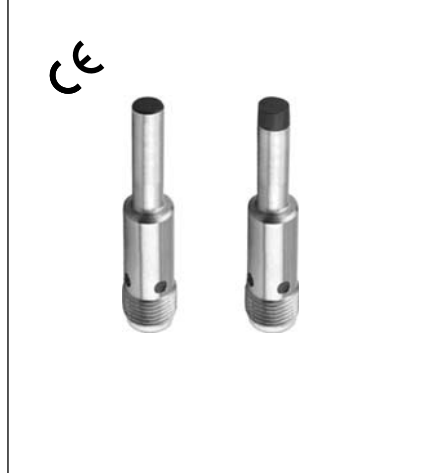
CAPACITIVE PROXIMITY SENSOR (10-30VDC)

Diameter
● Shielded ○ non-Shielded
Switching Distance, Sn: mm
Housing Material
● With LED ○ Without LED

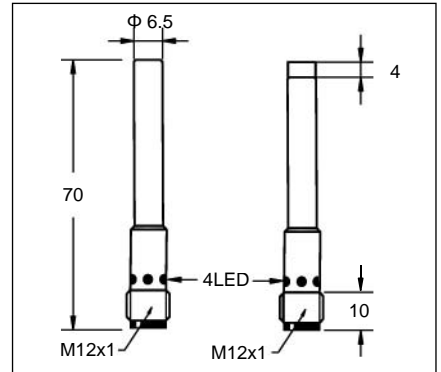
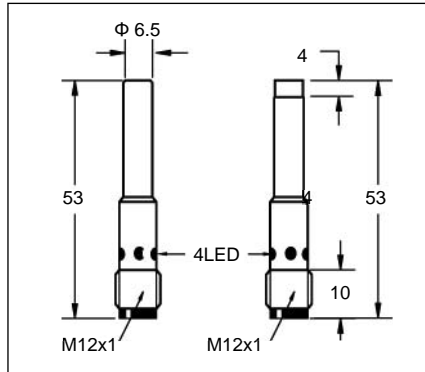
φ 6.5	
●	○
1 mm	2 mm
Stainless steel	
●	

φ 6.5	
●	○
1 mm	2 mm
Stainless steel	
●	

Picture



Dimensions (unit: mm)



Ripple
No Load Current
Max. Load current
Leakage Current
Voltage Drop
Switching Frequency
Response Time
Switching Hysteresis
Repeat Accuracy
Protection Category
Operating Temperature
Temperature Drift
Short Circuit Protection
Overload Trip Point
Material Active Face

<10%
<10mA
200mA
<0.01mA
<2VDC
100Hz
1.5ms/1.5ms
<15%(Sr)
<5.0%(Sr)
IP67
-25°C- +70°C
<10%(Sr)
Yes
220mA
POM

<10%
<10mA
200mA
<0.01mA
<2VDC
100Hz
1.5ms/1.5ms
<15%(Sr)
<5.0%(Sr)
IP67
-25°C- +70°C
<10%(Sr)
Yes
220mA
POM

Connecting type
Weight

M12 connector
approx.20 g

M12 connector
approx.25 g

DC 3 wire 10-30V NPN N.O.
DC 3 wire 10-30V NPN N.C.
DC 3 wire 10-30V PNP N.O.
DC 3 wire 10-30V PNP N.C.
DC 3 wire 10-55V NPN N.O.
DC 3 wire 10-55V NPN N.C.
DC 3 wire 10-55V PNP N.O.
DC 3 wire 10-55V PNP N.C.
DC 3 wire 5-36 V NPN N.O.
DC 3 wire 5-36 V NPN N.C.
DC 3 wire 5-36 V PNP N.O.
DC 3 wire 5-36 V PNP N.C.

CSS-S6.501N-A1ES4	1*	CSN-S6.502N-A1ES4
CSS-S6.501N-B1ES4	2	CSN-S6.502N-B1ES4
CSS-S6.501P-A1ES4	3	CSN-S6.502P-A1ES4
CSS-S6.501P-B1ES4	4	CSN-S6.502P-B1ES4

CSS-S6.501N-A1EN4	1*	CSN-S6.502N-A1EN4
CSS-S6.501N-B1EN4	2	CSN-S6.502N-B1EN4
CSS-S6.501P-A1EN4	3	CSN-S6.502P-A1EN4
CSS-S6.501P-B1EN4	4	CSN-S6.502P-B1EN4

* Wiring diagram number. Please see the relevant wiring diagram shown on Page 013 to Page 015.