
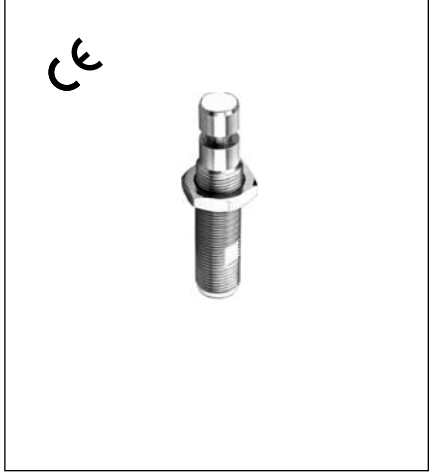
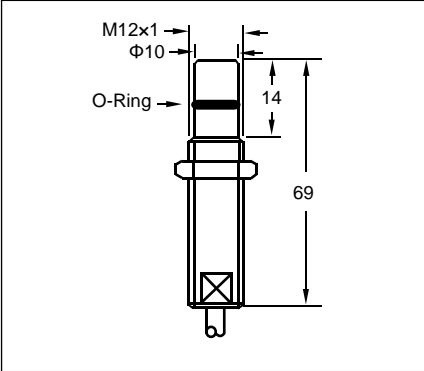
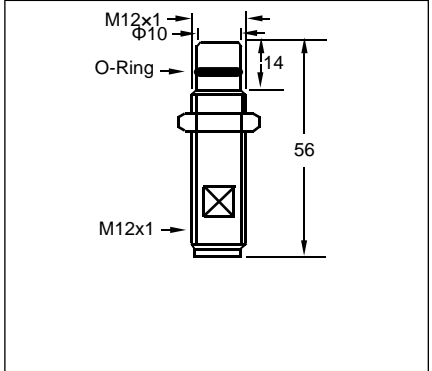


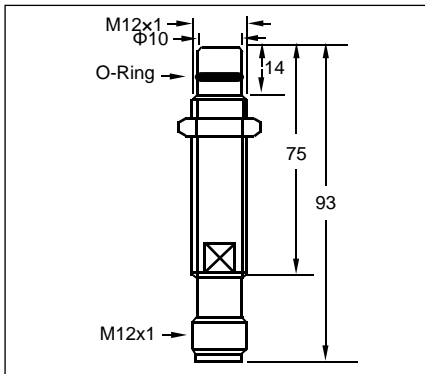
HIGH PRESSURE INDUCTIVE PROXIMITY SENSOR (10-30VDC)

Diameter	M12	M12
● Shielded ○ non-Shielded	●	●
Switching Distance, Sn: mm	1.5 mm	1.5 mm
Housing Material	Stainless steel	Stainless steel
● With LED ○ Without LED	○	○
Picture		
Dimensions (unit: mm)		
Ripple	<10%	<10%
No Load Current	<10mA	<10mA
Max. Load current	150mA	150mA
Leakage Current	<0.01mA	<0.01mA
Voltage Drop	<1.5V	<1.5V
Switching Frequency	600Hz	600Hz
Switching Hysteresis	<15%(Sr)	<15%(Sr)
Repeat Accuracy	<1.0%(Sr)	<1.0%(Sr)
Protection Category	IP68	IP68
Operating Temperature	-25°C- +70°C	-25°C- +70°C
Temperature Drift	<10%(Sr)	<10%(Sr)
Short Circuit Protection	Yes	Yes
Overload Trip Point	180mA	180mA
Material Active Face	ZrO ₂	ZrO ₂
Max. Pressure	500 bar	500 bar
Connecting type	2M Cable (3.0 φ 3x0.15)	M12 connector
Weight	approx.65 g	approx.45 g
DC 3 wire 10-30V NPN N.O.	IHS-M121.5N-A1VN2/P	IHS-M121.5N-A1ER4/P
DC 3 wire 10-30V NPN N.C.	IHS-M121.5N-B1VN2/P	IHS-M121.5N-B1ER4/P
DC 3 wire 10-30V PNP N.O.	IHS-M121.5P-A1VN2/P	IHS-M121.5P-A1ER4/P
DC 3 wire 10-30V PNP N.C.	IHS-M121.5P-B1VN2/P	IHS-M121.5P-B1ER4/P
DC 3 wire 10-55V NPN N.O.		
DC 3 wire 10-55V NPN N.C.		
DC 3 wire 10-55V PNP N.O.		
DC 3 wire 10-55V PNP N.C.		
DC 3 wire 5-36 V NPN N.O.		
DC 3 wire 5-36 V NPN N.C.		
DC 3 wire 5-36 V PNP N.O.		
DC 3 wire 5-36 V PNP N.C.		

* Wiring diagram number. Please see the relevant wiring diagram shown on Page 013 to Page 015.

HIGH PRESSURE INDUCTIVE PROXIMITY SENSOR (10-30VDC)

M12
●
1.5 mm
Stainless steel
○

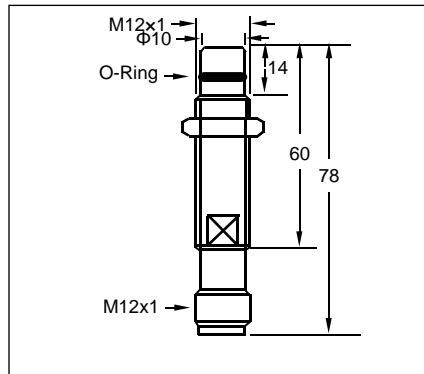
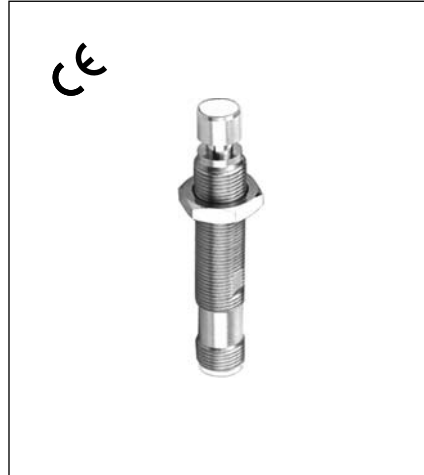


<10%
<10mA
150mA
<0.01mA
<1.5V
600Hz
<15%(Sr)
<1.0%(Sr)
IP68
-25°C- +70°C
<10%(Sr)
Yes
180mA
ZrO ₂
500 bar

M12 connector
approx.65 g

IHS-M121.5N-A1EL4/P	1*
IHS-M121.5N-B1EL4/P	2
IHS-M121.5P-A1EL4/P	3
IHS-M121.5P-B1EL4/P	4

M12
●
1.5 mm
Stainless steel
○

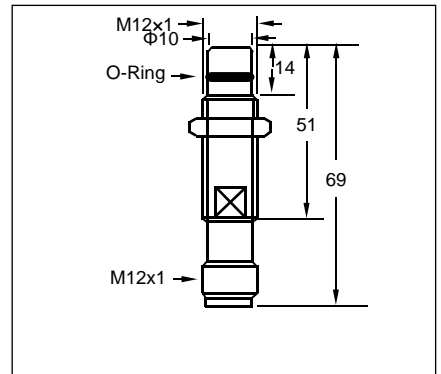


<10%
<10mA
150mA
<0.01mA
<1.5V
600Hz
<15%(Sr)
<1.0%(Sr)
IP68
-25°C- +70°C
<10%(Sr)
Yes
180mA
ZrO ₂
100 bar

M12 connector
approx.55 g

IHS-M121.5N-A1EN4/P	1*
IHS-M121.5N-B1EN4/P	2
IHS-M121.5P-A1EN4/P	3
IHS-M121.5P-B1EN4/P	4

M12
●
1.5 mm
Stainless steel
○



<10%
<10mA
150mA
<0.01mA
<1.5V
600Hz
<15%(Sr)
<1.0%(Sr)
IP68
-25°C- +70°C
<10%(Sr)
Yes
180mA
ZrO ₂
500 bar

M12 connector
approx.65 g

IHS-M121.5N-A1ES4/P	1*
IHS-M121.5N-B1ES4/P	2
IHS-M121.5P-A1ES4/P	3
IHS-M121.5P-B1ES4/P	4

* Wiring diagram number. Please see the relevant wiring diagram shown on Page 013 to Page 015.