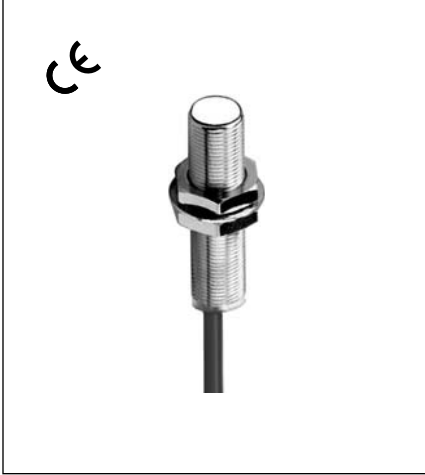
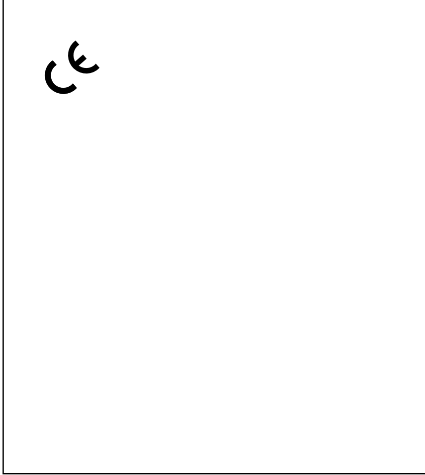
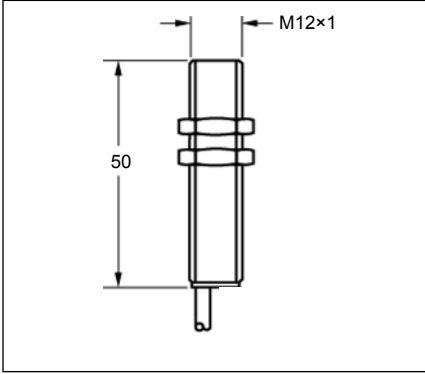


HIGH PRESSURE INDUCTIVE PROXIMITY SENSOR (10-30VDC)

Diameter	M12	
● Shielded ○ non-Shielded	●	
Switching Distance, Sn: mm	2 mm	
Housing Material	Stainless steel	
● With LED ○ Without LED	○	
Picture		
Dimensions (unit: mm)		
Ripple	<10%	
No Load Current	<10mA	
Max. Load current	150mA	
Leakage Current	<0.01mA	
Voltage Drop	<1.5V	
Switching Frequency	600Hz	
Switching Hysteresis	<15%(Sr)	
Repeat Accuracy	<1.0%(Sr)	
Protection Category	IP68	
Operating Temperature	-25°C - +70°C	
Temperature Drift	<10%(Sr)	
Short Circuit Protection	Yes	
Overload Trip Point	180mA	
Material Active Face	ZrO ₂	
Max. Pressure	100 bar	
Connecting type	2M Cable (3.0 φ 3x0.15)	
Weight	approx.55 g	
DC 3 wire 10-30V NPN N.O.	IHS-M121.5N-A1VN2	1*
DC 3 wire 10-30V NPN N.C.	IHS-M121.5N-B1VN2	2
DC 3 wire 10-30V PNP N.O.	IHS-M121.5P-A1VN2	3
DC 3 wire 10-30V PNP N.C.	IHS-M121.5P-B1VN2	4
DC 3 wire 10-55V NPN N.O.		
DC 3 wire 10-55V NPN N.C.		
DC 3 wire 10-55V PNP N.O.		
DC 3 wire 10-55V PNP N.C.		
DC 3 wire 5-36 V NPN N.O.		
DC 3 wire 5-36 V NPN N.C.		
DC 3 wire 5-36 V PNP N.O.		
DC 3 wire 5-36 V PNP N.C.		

* Wiring diagram number. Please see the relevant wiring diagram shown on Page 013 to Page 015.