

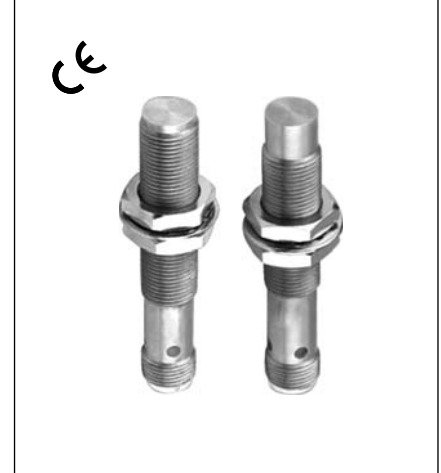
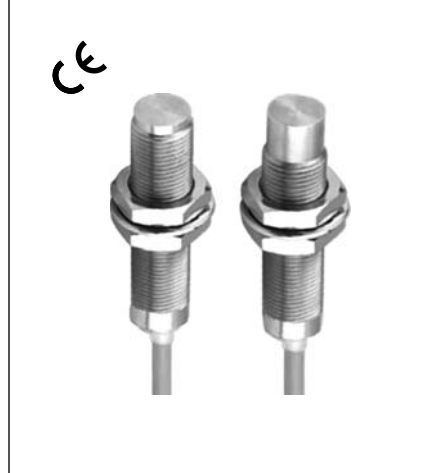
METALFACE INDUCTIVE PROXIMITY SENSOR (FERROUS ONLY SENSING)

Diameter
● Shielded ○ non-Shielded
Switching Distance, Sn: mm
Housing Material
● With LED ○ Without LED

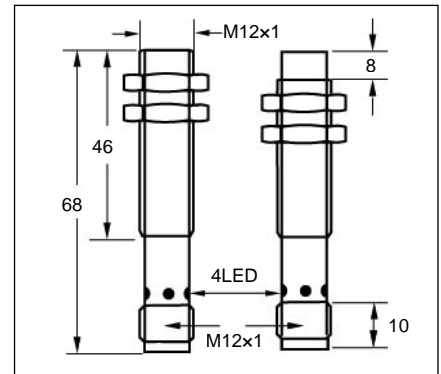
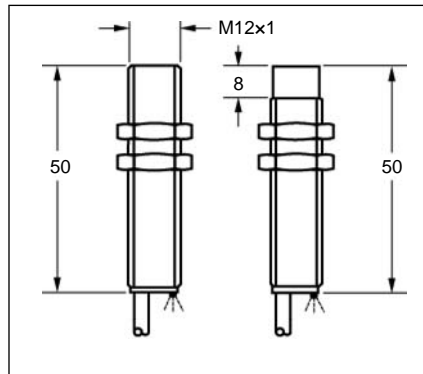
M12	
●	○
2 mm	4 mm
Stainless steel	
●	

M12	
●	○
2 mm	4 mm
Stainless steel	
●	

Picture



Dimensions (unit: mm)



Ripple
No Load Current
Max. Load current
Leakage Current
Voltage Drop
Switching Frequency
Response Time
Switching Hysteresis
Repeat Accuracy
Protection Category
Operating Temperature
Temperature Drift
Short Circuit Protection
Overload Trip Point
Material Active Face

<10%
<10mA
200mA
<0.01mA
<1.5V
2KHz 1KHz
0.1ms/0.1ms 0.2ms/0.2ms
<15%(Sr)
<1.0%(Sr)
IP67
-25°C - +70°C
<10%(Sr)
Yes
220mA
Stainless steel

<10%
<10mA
200mA
<0.01mA
<1.5V
2KHz 1KHz
0.1ms/0.1ms 0.2ms/0.2ms
<15%(Sr)
<1.0%(Sr)
IP67
-25°C - +70°C
<10%(Sr)
Yes
220mA
Stainless steel

Connecting type
Weight

2M Cable (4.0 φ 3x0.25)
approx.70 g

M12 connector
approx.35 g

DC 3 wire 10-30V NPN N.O.
DC 3 wire 10-30V NPN N.C.
DC 3 wire 10-30V PNP N.O.
DC 3 wire 10-30V PNP N.C.
DC 3 wire 10-55V NPN N.O.
DC 3 wire 10-55V NPN N.C.
DC 3 wire 10-55V PNP N.O.
DC 3 wire 10-55V PNP N.C.
DC 3 wire 5-36 V NPN N.O.
DC 3 wire 5-36 V NPN N.C.
DC 3 wire 5-36 V PNP N.O.
DC 3 wire 5-36 V PNP N.C.

IVS-M1202N-A1VN2/F	1*	IVN-M1204N-A1VN2/F
IVS-M1202N-B1VN2/F	2	IVN-M1204N-B1VN2/F
IVS-M1202P-A1VN2/F	3	IVN-M1204P-A1VN2/F
IVS-M1202P-B1VN2/F	4	IVN-M1204P-B1VN2/F

IVS-M1202N-A1EN4/F	1*	IVN-M1204N-A1EN4/F
IVS-M1202N-B1EN4/F	2	IVN-M1204N-B1EN4/F
IVS-M1202P-A1EN4/F	3	IVN-M1204P-A1EN4/F
IVS-M1202P-B1EN4/F	4	IVN-M1204P-B1EN4/F

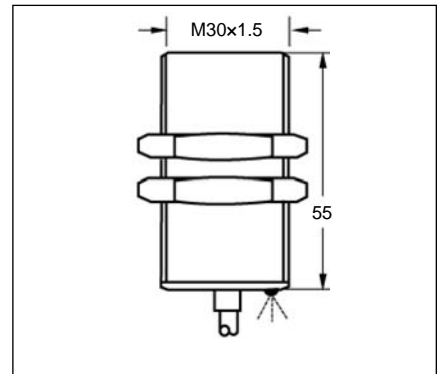
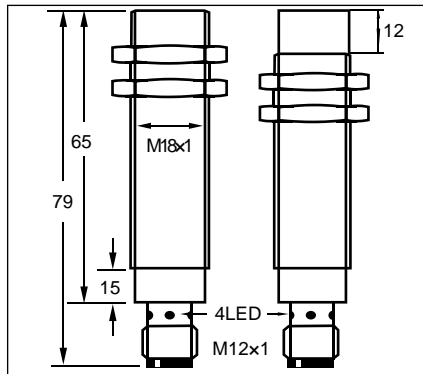
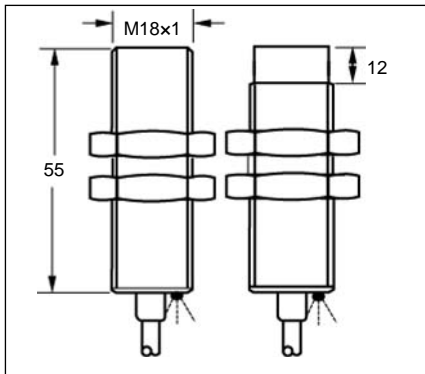
* Wiring diagram number. Please see the relevant wiring diagram shown on Page 013 to Page 015.

METALFACE INDUCTIVE PROXIMITY SENSOR (FERROUS ONLY SENSING)

M18	
●	○
5 mm	8 mm
Stainless steel	
●	

M18	
●	○
5 mm	8 mm
Stainless steel	
●	

M30	
●	
10 mm	
Stainless steel	
●	



<10%	
<10mA	
200mA	
<0.01mA	
<1.5V	
1KHz	500Hz
0.2ms/0.2ms	0.5ms/0.5ms
<15%(Sr)	
<1.0%(Sr)	
IP67	
-25°C - +70°C	
<10%(Sr)	
Yes	
220mA	
Stainless steel	

<10%	
<10mA	
200mA	
<0.01mA	
<1.5V	
1KHz	500Hz
0.2ms/0.2ms	0.5ms/0.5ms
<15%(Sr)	
<1.0%(Sr)	
IP67	
-25°C - +70°C	
<10%(Sr)	
Yes	
220mA	
Stainless steel	

<10%
<10mA
200mA
<0.01mA
<1.5V
300Hz
0.5ms/0.5ms
<15%(Sr)
<1.0%(Sr)
IP67
-25°C - +70°C
<10%(Sr)
Yes
220mA
Stainless steel

2M Cable (5.0 ∅ 3x0.34)
approx. 150 g

M12 connector
approx. 100 g

2M Cable (5.0 ∅ 3x0.34)
approx. 220 g

IVS-M1805N-A1VN2/F	1*	IVN-M1808N-A1VN2/F
IVS-M1805N-B1VN2/F	2	IVN-M1808N-B1VN2/F
IVS-M1805P-A1VN2/F	3	IVN-M1808P-A1VN2/F
IVS-M1805P-B1VN2/F	4	IVN-M1808P-B1VN2/F

IVS-M1805N-A1EN4/F	1*	IVN-M1808N-A1EN4/F
IVS-M1805N-B1EN4/F	2	IVN-M1808N-B1EN4/F
IVS-M1805P-A1EN4/F	3	IVN-M1808P-A1EN4/F
IVS-M1805P-B1EN4/F	4	IVN-M1808P-B1EN4/F

IVS-M3010N-A1VN2/F	1*
IVS-M3010N-B1VN2/F	2
IVS-M3010P-A1VN2/F	3
IVS-M3010P-B1VN2/F	4

* Wiring diagram number. Please see the relevant wiring diagram shown on Page 013 and Page 014.