

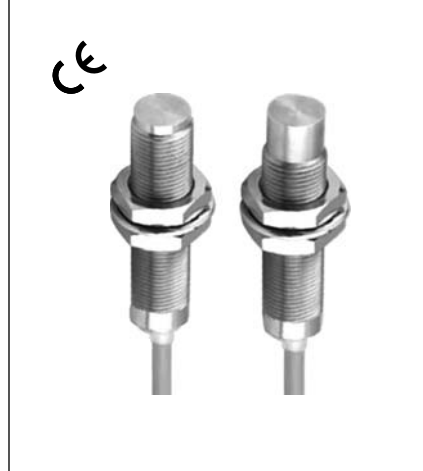
METALFACE INDUCTIVE PROXIMITY SENSOR (20-250VAC)

Diameter
● Shielded ○ non-Shielded
Switching Distance, Sn: mm
Housing Material
● With LED ○ Without LED

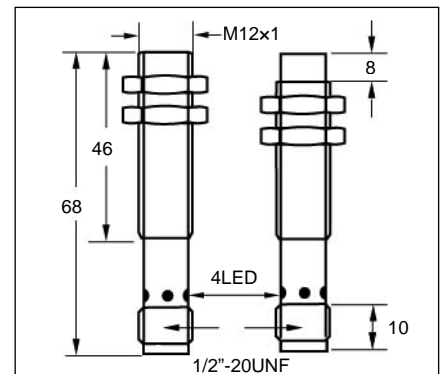
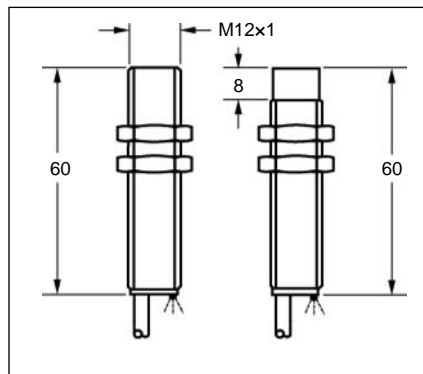
M12
● ○
2 mm 4 mm
Stainless steel
●

M12
● ○
2 mm 4 mm
Stainless steel
●

Picture



Dimensions (unit: mm)



No Load Current
Max. Load current
Leakage Current
Surge Current
Min. Load Current
Voltage Drop
Switching Frequency
Response Time
Switching Hysteresis
Repeat Accuracy
Protection Category
Operating Temperature
Temperature Drift
Short Circuit Protection
Material Active Face

<1.8mA
400mA
<1.8mA
5A(20ms)
5mA
<8VAC AT 400mA
<25Hz
10ms/10ms
<15%(Sr)
<1.0%(Sr)
IP67
-25°C - +70°C
<10%(Sr)
NO
Stainless steel

<1.8mA
400mA
<1.8mA
5A(20ms)
5mA
<8VAC AT 400mA
<25Hz
10ms/10ms
<15%(Sr)
<1.0%(Sr)
IP67
-25°C - +70°C
<10%(Sr)
NO
Stainless steel

Connecting type
Weight

2M Cable (4.0 φ 3x0.25)
approx.77 g

Micro connector
approx.32 g

AC 20-250V N.O.
AC 20-250V N.C.
AC 20-250V N.O. or N.C. Changeable

IVS-M1202A-A7VN2	11*	IVN-M1204A-A7VN2
IVS-M1202A-B7VN2	12	IVN-M1204A-B7VN2

IVS-M1202A-A7MN3	11*	IVN-M1204A-A7MN3
IVS-M1202A-B7MN3	12	IVN-M1204A-B7MN3

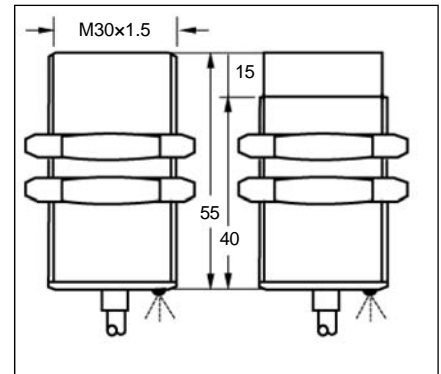
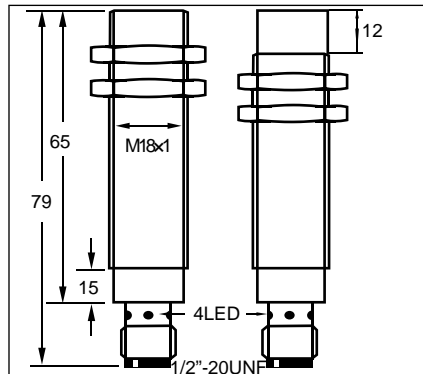
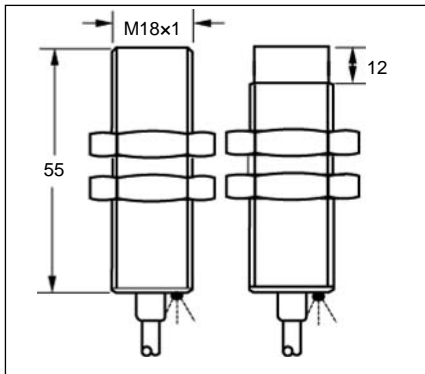
* Wiring diagram number. Please see the relevant wiring diagram shown on Page 013 to Page 015.

METALFACE INDUCTIVE PROXIMITY SENSOR (20-250VAC)

M18	
●	○
5 mm	8 mm
Stainless steel	
●	

M18	
●	○
5 mm	8 mm
Stainless steel	
●	

M30	
●	○
10 mm	15 mm
Stainless steel	
●	



<1.8mA
400mA
<1.8mA
5A(20ms)
5mA
<8VAC AT 400mA
<25HZ
10ms/10ms
<15%(Sr)
<1.0%(Sr)
IP67
-25°C - +70°C
<10%(Sr)
NO
Stainless steel

<1.8mA
400mA
<1.8mA
5A(20ms)
5mA
<8VAC AT 400mA
<25Hz
10ms/10ms
<15%(Sr)
<1.0%(Sr)
IP67
-25°C - +70°C
<10%(Sr)
NO
Stainless steel

<1.8mA
400mA
<1.8mA
5A(20ms)
5mA
<8VAC AT 400mA
<25Hz
10ms/10ms
<15%(Sr)
<1.0%(Sr)
IP67
-25°C - +70°C
<10%(Sr)
NO
Stainless steel

2M Cable (5.0 φ 3x0.34)
approx.155 g

Micro connector
approx.70 g

2M Cable (5.0 φ 3x0.34)
approx.250 g

IVS-M1805A-A7V/S2	11*	IVN-M1808A-A7V/S2
IVS-M1805A-B7V/S2	12	IVN-M1808A-B7V/S2

IVS-M1805A-A7MN3	11*	IVN-M1808A-A7MN3
IVS-M1805A-B7MN3	12	IVN-M1808A-B7MN3

IVS-M3010A-A7V/N2	11*	IVN-M3015A-A7V/N2
IVS-M3010A-B7V/N2	12	IVN-M3015A-B7V/N2

* Wiring diagram number. Please see the relevant wiring diagram shown on Page 013 and Page 014.