

METALFACE INDUCTIVE PROXIMITY SENSOR (LONG RANGE)

Diameter
● Shielded ○ non-Shielded
Switching Distance, Sn: mm
Housing Material
● With LED ○ Without LED

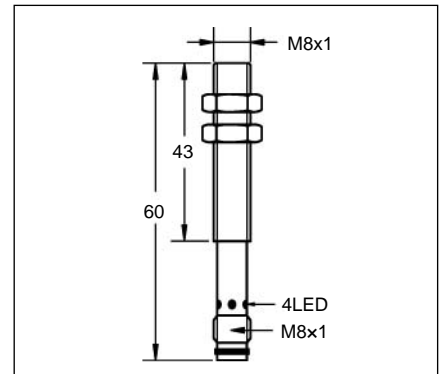
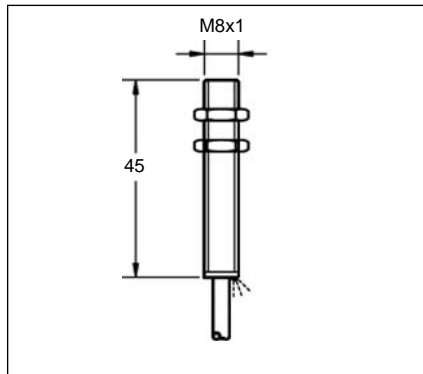
M8
●
3 mm
Stainless steel
●

M8
●
3 mm
Stainless steel
●

Picture



Dimensions (unit: mm)



Ripple
No Load Current
Max. Load current
Leakage Current
Voltage Drop
Switching Frequency
Response Time
Switching Hysteresis
Repeat Accuracy
Protection Category
Operating Temperature
Temperature Drift
Short Circuit Protection
Overload Trip Point
Material Active Face

<10%
<10mA
200mA
<0.01mA
<2.0V
1KHz
0.2ms/0.2ms
<15%(Sr)
<1.0%(Sr)
IP67
-25°C - +70°C
<10%(Sr)
Yes
220mA
Stainless steel

<10%
<10mA
200mA
<0.01mA
<2.0V
1KHz
0.2ms/0.2ms
<15%(Sr)
<1.0%(Sr)
IP67
-25°C - +70°C
<10%(Sr)
Yes
220mA
Stainless steel

Connecting type
Weight

2M Cable (2.9 φ 3x0.15)
approx.53 g

M8 connector
approx.18 g

DC 3 wire 10-30V NPN N.O.
DC 3 wire 10-30V NPN N.C.
DC 3 wire 10-30V PNP N.O.
DC 3 wire 10-30V PNP N.C.
DC 3 wire 10-55V NPN N.O.
DC 3 wire 10-55V NPN N.C.
DC 3 wire 10-55V PNP N.O.
DC 3 wire 10-55V PNP N.C.
DC 3 wire 5-36 V NPN N.O.
DC 3 wire 5-36 V NPN N.C.
DC 3 wire 5-36 V PNP N.O.
DC 3 wire 5-36 V PNP N.C.

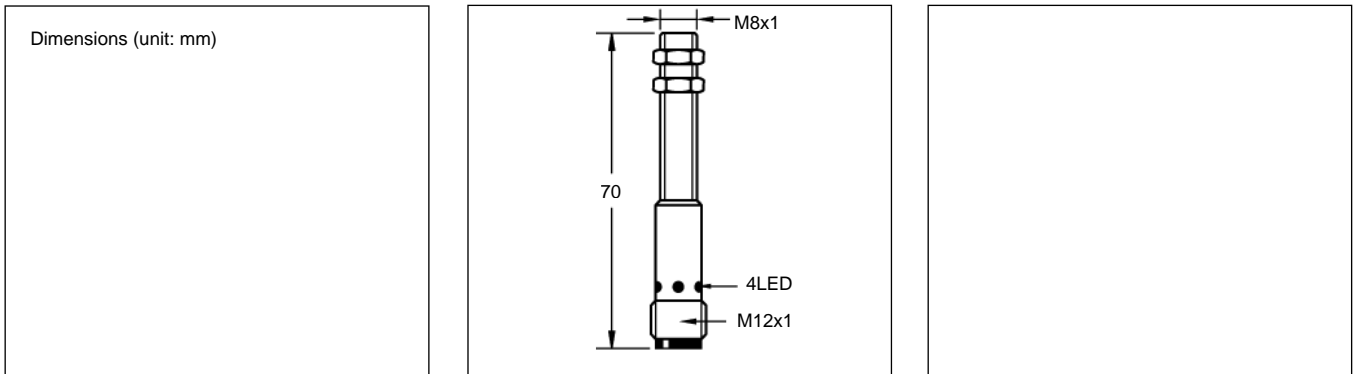
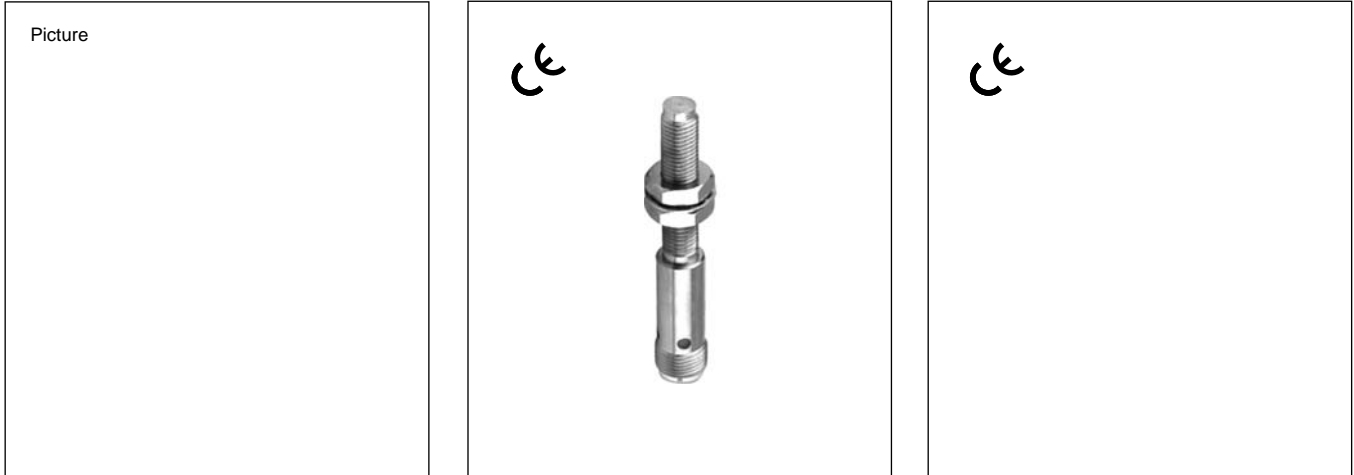
IVS-M803N-A1VN2	1*
IVS-M803N-B1VN2	2
IVS-M803P-A1VN2	3
IVS-M803P-B1VN2	4

IVS-M803N-A1PN3	1*
IVS-M803N-B1PN3	2
IVS-M803P-A1PN3	3
IVS-M803P-B1PN3	4

* Wiring diagram number. Please see the relevant wiring diagram shown on Page 013 to Page 015.

METALFACE INDUCTIVE PROXIMITY SENSOR (LONG RANGE)

Diameter	M8	
● Shielded ○ non-Shielded	●	
Switching Distance, Sn: mm	3 mm	
Housing Material	Stainless steel	
● With LED ○ Without LED	●	



Ripple	<10%	
No Load Current	<10mA	
Max. Load current	200mA	
Leakage Current	<0.01mA	
Voltage Drop	<2.0V	
Switching Frequency	1KHz	
Response Time	0.2ms/0.2ms	
Switching Hysteresis	<15%(Sr)	
Repeat Accuracy	<1.0%(Sr)	
Protection Category	IP67	
Operating Temperature	-25°C - +70°C	
Temperature Drift	<10%(Sr)	
Short Circuit Protection	Yes	
Overload Trip Point	220mA	
Material Active Face	Stainless steel	

Connecting type	M12 connector	
Weight	approx.25 g	

DC 3 wire 10-30V NPN N.O.	IVS-M803N-A1EN4	1*
DC 3 wire 10-30V NPN N.C.	IVS-M803N-B1EN4	2
DC 3 wire 10-30V PNP N.O.	IVS-M803P-A1EN4	3
DC 3 wire 10-30V PNP N.C.	IVS-M803P-B1EN4	4
DC 3 wire 10-55V NPN N.O.		
DC 3 wire 10-55V NPN N.C.		
DC 3 wire 10-55V PNP N.O.		
DC 3 wire 10-55V PNP N.C.		
DC 3 wire 5-36 V NPN N.O.		
DC 3 wire 5-36 V NPN N.C.		
DC 3 wire 5-36 V PNP N.O.		
DC 3 wire 5-36 V PNP N.C.		

* Wiring diagram number. Please see the relevant wiring diagram shown on Page 013 to Page 015.