

EXTENDED RANGE PROXIMITY SENSOR DC 2WIRE/4WIRE (10-60VDC/10-30VDC)

Diameter
● Shielded ○ non-Shielded
Switching Distance, Sn: mm
Housing Material
● With LED ○ Without LED

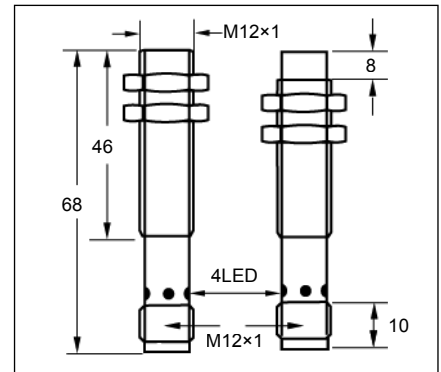
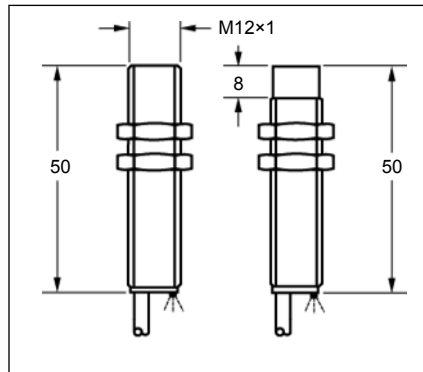
M12	
●	○
4 mm	8 mm
Nickel plated brass	
●	

M12	
●	○
4 mm	8 mm
Nickel plated brass	
●	

Picture



Dimensions (unit: mm)



Ripple
No Load Current
Max. Load current
Leakage Current
Voltage Drop
Switching Frequency
Response Time
Switching Hysteresis
Repeat Accuracy
Protection Category
Operating Temperature
Temperature Drift
Short Circuit Protection
Overload Trip Point
Material Active Face

<10%
<10mA
200mA
<0.01mA
<2.0V
1KHz 500Hz
0.2ms/0.2ms 0.5ms/0.5ms
<15%(Sr)
<1.0%(Sr)
IP67
-25°C - +70°C
<10%(Sr)
Yes
220mA
POM PBT

<10%
<10mA
200mA
<0.01mA
<2.0V
1KHz 500Hz
0.2ms/0.2ms 0.5ms/0.5ms
<15%(Sr)
<1.0%(Sr)
IP67
-25°C - +70°C
<10%(Sr)
Yes
220mA
POM PBT

Connecting type
Weight

2M Cable (4.0 φ 2x0.34 or 4x0.15)
approx.65 g

M12 connector
approx.35 g

DC 2 wire 10-60V N.O.
DC 2 wire 10-60V N.C.
DC 4 wire 10-30V PNP (N.O.+N.C.)
DC 4 wire 10-30V NPN (N.O.+N.C.)

IBS-M1204C-A4VN2	7*	IBN-M1208C-A4VN2
IBS-M1204C-B4VN2	8	IBN-M1208C-B4VN2
IBS-M1204P-C1VN2	6	IBN-M1208P-C1VN2
IBS-M1204N-C1VN2	5	IBN-M1208N-C1VN2

IBS-M1204C-A4EN4	7*	IBN-M1208C-A4EN4
IBS-M1204C-B4EN4	8	IBN-M1208C-B4EN4
IBS-M1204P-C1EN4	6	IBN-M1208P-C1EN4
IBS-M1204N-C1EN4	5	IBN-M1208N-C1EN4

* Wiring diagram drift. Please see the relevant wiring diagram shown on Page 013 to Page 015.