

# AC/DC INDUCTIVE PROXIMITY SENSOR (20-250VAC/DC)

Diameter
● Shielded    ○ non-Shielded
Switching Distance, S <sub>n</sub> : mm
Housing Material
● With LED    ○ Without LED

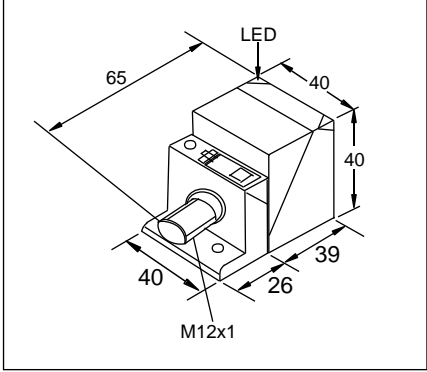
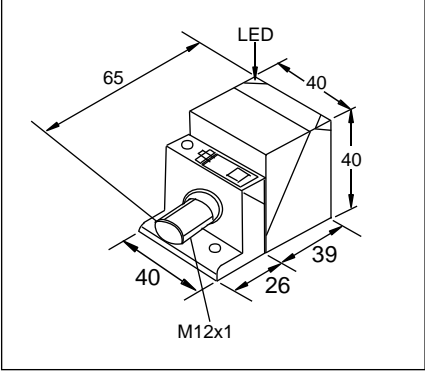
Q40S
●
15 mm
PBT
●

Q40S
○
30 mm
PBT
●

Picture



Dimensions (unit: mm)



No Load Current
Max. Load current
Leakge Current
Surge Current
Min. Load Current
Voltage Drop
Switching Frequency
Response Time
Switching Hysteresis
Repeat Accuracy
Protection Category
Operating Temperature
Temperature Drift
Short Circuit Protection
Material Active Face

<2.5mA
200mA
<2.5mA
2.2A(20ms)
5mA
<10VAC; 8VDC
<25Hz AC; 40Hz DC
10ms/10ms
<15%(Sr)
<1.0%(Sr)
IP67
-25°C - +70°C
<10%(Sr)
Yes
PBT

<2.5mA
200mA
<2.5mA
2.2A(20ms)
5mA
<10VAC; 8VDC
<25Hz AC; 40Hz DC
10ms/10ms
<15%(Sr)
<1.0%(Sr)
IP67
-25°C - +70°C
<10%(Sr)
Yes
PBT

Connecting type
Weight

Micro connector
approx.170 g

Micro connector
approx.170 g

AC/DC 20-250V N.O.
AC/DC 20-250V N.C.
AC/DC 20-250V N.O. or N.C. Changeable

IPN-Q4015U-A8MS3	13
IPN-Q4015U-B8MS3	14

IPN-Q4030U-A8MS3	13
IPN-Q4030U-B8MS3	14

\* Wiring diagram number. Please see the relevant wiring diagram shown on Page 013 to Page 015.