

AC INDUCTIVE PROXIMITY SENSOR (20-250VAC)

Diameter
● Shielded ○ non-Shielded
Switching Distance, Sn: mm
Housing Material
● With LED ○ Without LED

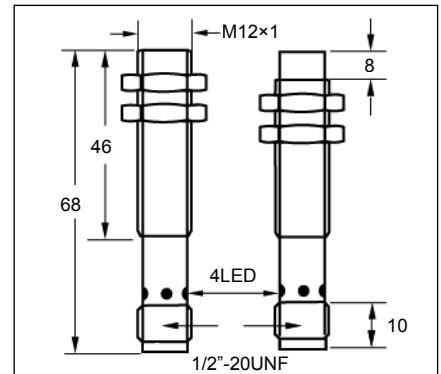
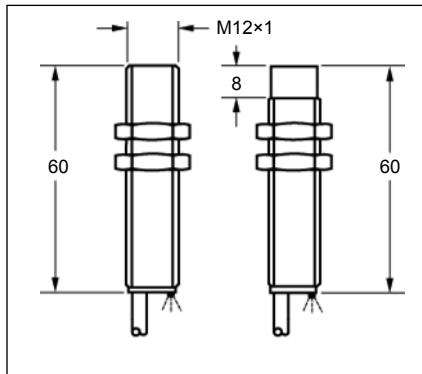
M12	
●	○
2 mm	4 mm
Nickel plated brass	
●	

M12	
●	○
2 mm	4 mm
Nickel plated brass	
●	

Picture



Dimensions (unit: mm)



No Load Current
Max. Load current
Leakage Current
Surge Current
Min. Load Current
Voltage Drop
Switching Frequency
Response Time
Switching Hysteresis
Repeat Accuracy
Protection Category
Operating Temperature
Temperature Drift
Short Circuit Protection
Material Active Face

<1.8mA
400mA
<1.8mA
5A(20ms)
5mA
<8VAC AT 400mA
<25Hz
10ms/10ms
<15%(Sr)
<1.0%(Sr)
IP67
-25°C - +70°C
<10%(Sr)
NO
POM PBT

<1.8mA
400mA
<1.8mA
5A(20ms)
5mA
<8VAC AT 400mA
<25Hz
10ms/10ms
<15%(Sr)
<1.0%(Sr)
IP67
-25°C - +70°C
<10%(Sr)
NO
POM PBT

Connecting type
Weight

2M Cable (4.0 φ 3x0.25)
approx.77 g

Micro connector
approx.32 g

AC 20-250V N.O.
AC 20-250V N.C.
AC 20-250V N.O. or N.C. Changeable

IBS-M1202A-A7VN2	11*	IBN-M1204A-A7VN2
IBS-M1202A-B7VN2	12	IBN-M1204A-B7VN2

IBS-M1202A-A7MN3	11*	IBN-M1204A-A7MN3
IBS-M1202A-B7MN3	12	IBN-M1204A-B7MN3

* Wiring diagram number. Please see the relevant wiring diagram shown on Page 013 to Page 015.