

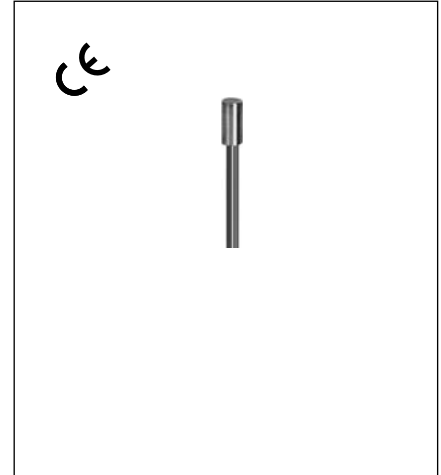
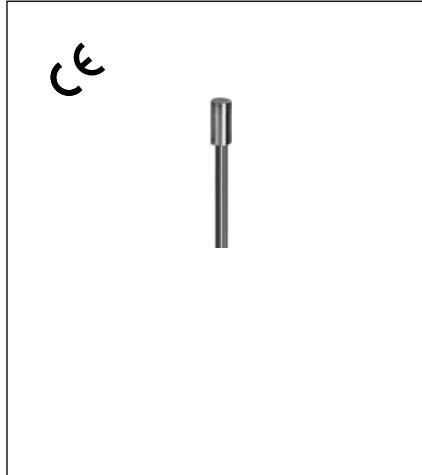
NAMUR INDUCTIVE PROXIMITY SENSOR (6-12VDC)

Diameter
● Shielded ○ non-Shielded
Switching Distance, Sn: mm
Housing Material
● With LED ○ Without LED

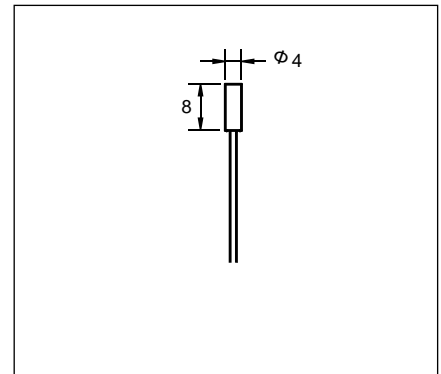
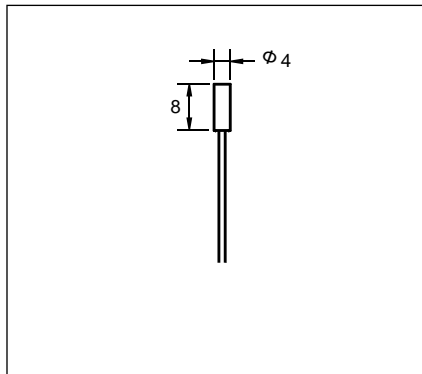
φ 4
●
0.6 mm
Stainless steel
○

φ 4
●
0.8 mm
Stainless steel
○

Picture



Dimensions (unit: mm)



Ripple
No Load Current
Switching Frequency
Response Time
Switching Hysteresis
Repeat Accuracy
Protection Category
Operating Temperature
Temperature Drift
Short Circuit Protection
Overload Trip Point
Time Delay Before Availability
EMC
Shock / Vibration
Material Active Face

-
>2.2mA(OFF) <1.1mA(ON)
2KHz
0.05ms/0.05ms
<15%(Sr)
-
IP67
-25°C- +70°C
<2%(Sr)
-
<10ms
RFI>3V/m / EFT>1KV / ESD>4KV (contact)
IEC 60947-5-2, Part7.4.1 / IEC 60947-5-2, Part 7.4.2
POM

-
>2.2mA(OFF) <1.1mA(ON)
2KHz
0.05ms/0.05ms
<15%(Sr)
-
IP67
-25°C- +70°C
<2%(Sr)
-
<10ms
RFI>3V/m / EFT>1KV / ESD>4KV (contact)
IEC 60947-5-2, Part7.4.1 / IEC 60947-5-2, Part 7.4.2
POM

Connecting type
Weight

1M Cable (1.0 φ x2)
approx.12 g

1M Cable (1.0 φ x2)
approx.12 g

NAMUR 6-12VDC

ISS-S40.6R-6VR1	19*

ISS-S40.8R-6VR1	19*

* Wiring diagram number. Please see the relevant wiring diagram shown on Page 013 to Page 015.

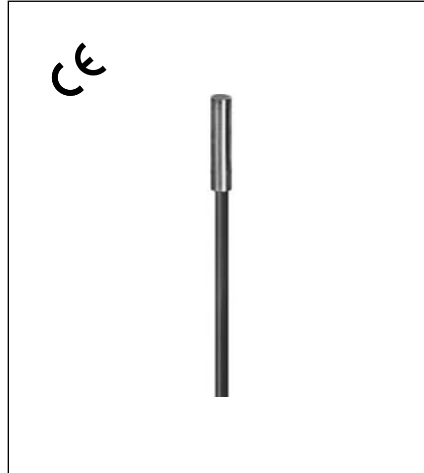
NAMUR INDUCTIVE PROXIMITY SENSOR (6-12VDC)

Diameter
● Shielded ○ non-Shielded
Switching Distance, Sn: mm
Housing Material
● With LED ○ Without LED

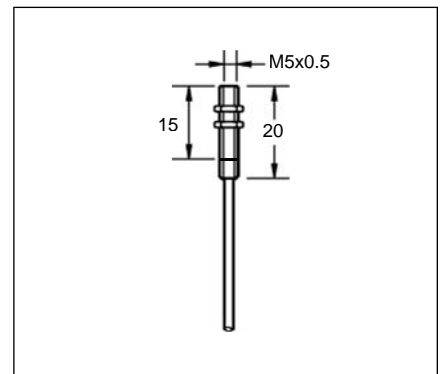
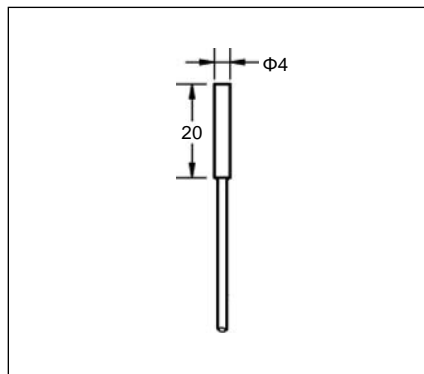
φ 4
●
1 mm
Stainless steel
○

M5
●
1 mm
Stainless steel
○

Picture



Dimensions (unit: mm)



Ripple	-
No Load Current	>2.2mA(OFF) <1.1mA(ON)
Switching Frequency	2KHz
Response Time	0.05ms/0.05ms
Switching Hysteresis	<15%(Sr)
Repeat Accuracy	-
Protection Category	IP67
Operating Temperature	-25°C- +70°C
Temperature Drift	<2%(Sr)
Short Circuit Protection	-
Overload Trip Point	-
Time Delay Before Availability	<10ms
EMC	RFI>3V/m / EFT>1KV / ESD>4KV (contact)
Shock / Vibration	IEC 60947-5-2, Part7.4.1 / IEC 60947-5-2, Part 7.4.2
Material Active Face	POM

-	-
>2.2mA(OFF) <1.1mA(ON)	-
2KHz	-
0.05ms/0.05ms	-
<15%(Sr)	-
-	-
IP67	-
-25°C- +70°C	-
<2%(Sr)	-
-	-
-	-
<10ms	-
RFI>3V/m / EFT>1KV / ESD>4KV (contact)	-
IEC 60947-5-2, Part7.4.1 / IEC 60947-5-2, Part 7.4.2	-
POM	-

-	-
>2.2mA(OFF) <1.1mA(ON)	-
2KHz	-
0.05ms/0.05ms	-
<15%(Sr)	-
-	-
IP67	-
-25°C- +70°C	-
<2%(Sr)	-
-	-
-	-
<10ms	-
RFI>3V/m / EFT>1KV / ESD>4KV (contact)	-
IEC 60947-5-2, Part7.4.1 / IEC 60947-5-2, Part 7.4.2	-
POM	-

Connecting type
Weight

2M Cable (2.6 φ 2x0.15)
approx.25 g

2M Cable (2.6 φ 2x0.15)
approx.25 g

NAMUR 6-12VDC

ISS-S401R-6VN2	19°

ISS-M501R-6VN2	19°

* Wiring diagram number. Please see the relevant wiring diagram shown on Page 013 to Page 015.