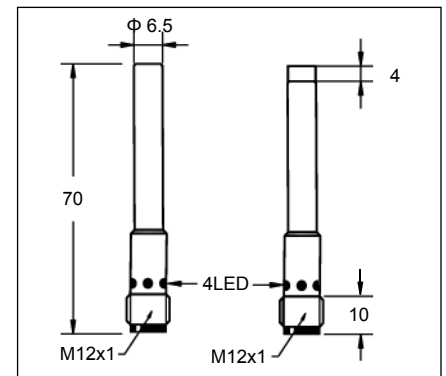
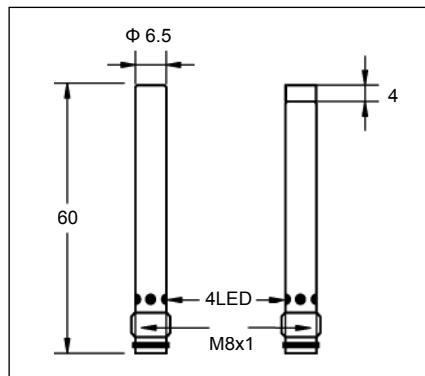
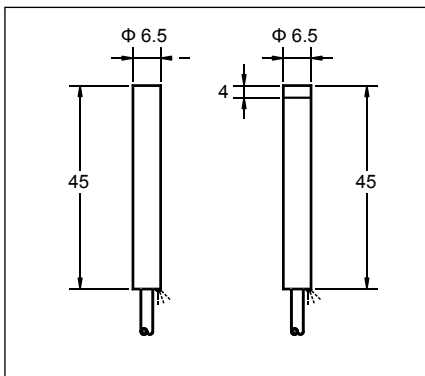
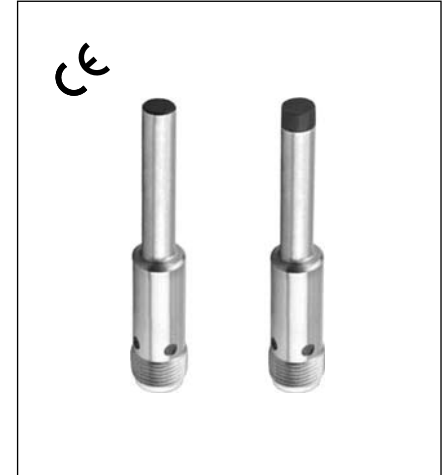
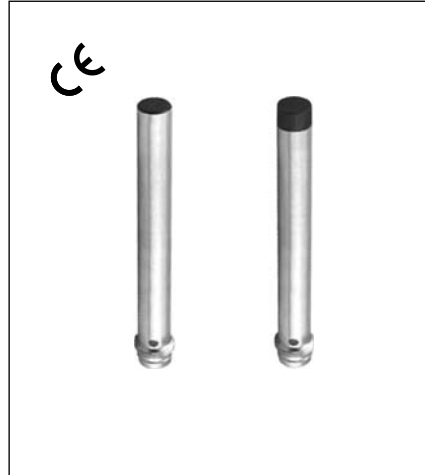
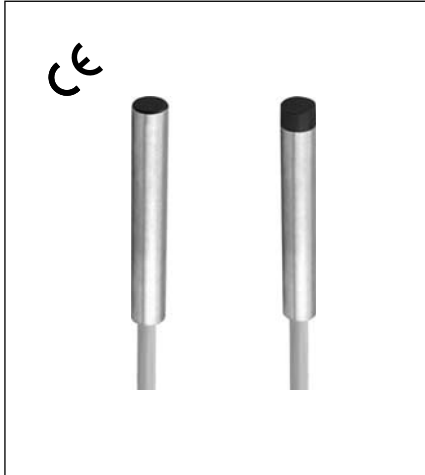
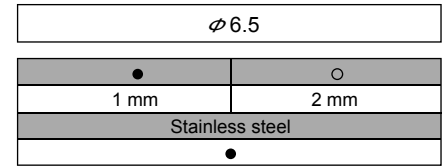
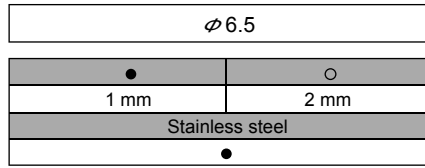
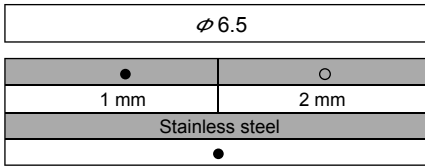


INDUCTIVE PROXIMITY SENSOR DC 2WIRE/4WIRE (10-60VDC/10-30VDC/5-36VDC)



<10%
<10mA
200mA
<0.01mA
<4.5V
2KHz
0.1ms/0.1ms
<15%(Sr)
<1.0%(Sr)
IP67
-25°C - +70°C
<10%(Sr)
Yes
220mA
POM

<10%
<10mA
200mA
<0.01mA
<4.5V
2KHz
0.1ms/0.1ms
<15%(Sr)
<1.0%(Sr)
IP67
-25°C - +70°C
<10%(Sr)
Yes
220mA
POM

<10%
<10mA
200mA
<0.01mA
<4.5V
2KHz
0.1ms/0.1ms
<15%(Sr)
<1.0%(Sr)
IP67
-25°C - +70°C
<10%(Sr)
Yes
220mA
POM

2M Cable (2.9 ϕ 2x0.15 or 4x0.15)
approx. 36 g

M8 connector
approx. 15 g

M12 connector
approx. 23 g

ISS-S6.501C-A4VN2	7*	ISS-S6.502C-A4VN2
ISS-S6.501C-B4VN2	8	ISS-S6.502C-B4VN2
ISS-S6.501P-C1VN2	6	ISS-S6.502P-C1VN2
ISS-S6.501N-C1VN2	5	ISS-S6.502N-C1VN2
ISS-S6.501P-C2VN2	6	ISS-S6.502P-C2VN2
ISS-S6.501N-C2VN2	5	ISS-S6.502N-C2VN2

ISS-S6.501C-A4PN3	7*	ISS-S6.502C-A4PN3
ISS-S6.501C-B4PN3	8	ISS-S6.502C-B4PN3
ISS-S6.501P-C1PN4	6	ISS-S6.502P-C1PN4
ISS-S6.501N-C1PN4	5	ISS-S6.502N-C1PN4
ISS-S6.501P-C2PN4	6	ISS-S6.502P-C2PN4
ISS-S6.501N-C2PN4	5	ISS-S6.502N-C2PN4

ISS-S6.501C-A4EN4	7*	ISS-S6.502C-A4EN4
ISS-S6.501C-B4EN4	8	ISS-S6.502C-B4EN4
ISS-S6.501P-C1EN4	6	ISS-S6.502P-C1EN4
ISS-S6.501N-C1EN4	5	ISS-S6.502N-C1EN4
ISS-S6.501P-C2EN4	6	ISS-S6.502P-C2EN4
ISS-S6.501N-C2EN4	5	ISS-S6.502N-C2EN4

* Wiring diagram number. Please see the relevant wiring diagram shown on Page 013 to Page 015.