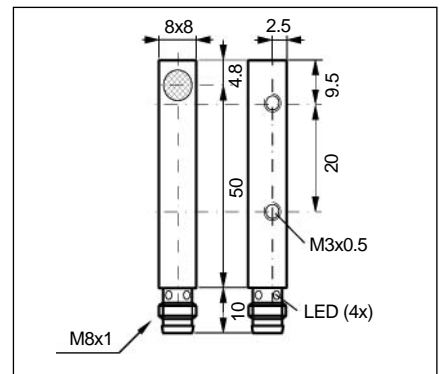
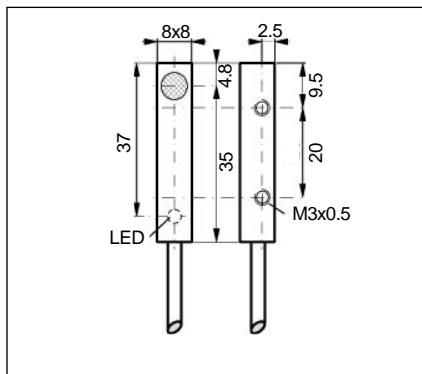
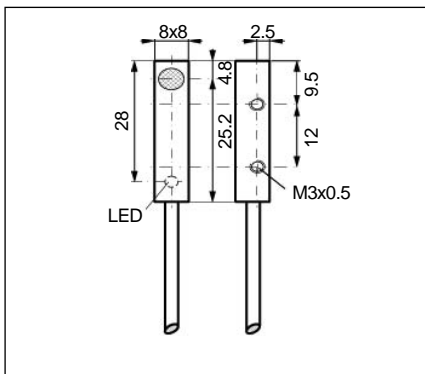
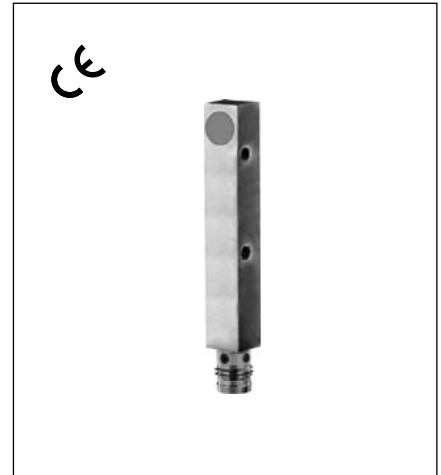
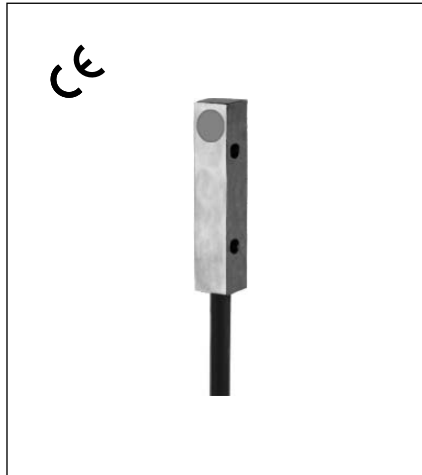
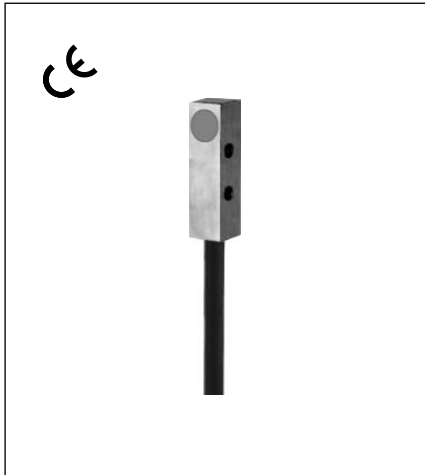


EXTENDED RANGE INDUCTIVE PROXIMITY SENSOR (SN:2mm)

Q8
•
2 mm
Nickel plated brass
•

Q8
•
2 mm
Nickel plated brass
•

Q8
•
2 mm
Nickel plated brass
•



<10%
<10mA
200mA
<0.01mA
<1.5V
2KHz
0.1ms/0.1ms
<15%(Sr)
<1.0%(Sr)
IP67
-25°C - +70°C
<10%(Sr)
Yes
220mA
POM

<10%
<10mA
200mA
<0.01mA
<1.5V
2KHz
0.1ms/0.1ms
<15%(Sr)
<1.0%(Sr)
IP67
-25°C - +70°C
<10%(Sr)
Yes
220mA
POM

<10%
<10mA
200mA
<0.01mA
<1.5V
2KHz
0.1ms/0.1ms
<15%(Sr)
<1.0%(Sr)
IP67
-25°C - +70°C
<10%(Sr)
Yes
220mA
POM

2M Cable (2.9 ∅ 3x0.15)
approx.35 g

2M Cable (2.9 ∅ 3x0.15)
approx.40 g

M8 connector
approx.38 g

IBS-Q8802N-A1VS2	1*
IBS-Q8802N-B1VS2	2
IBS-Q8802P-A1VS2	3
IBS-Q8802P-B1VS2	4

IBS-Q8802N-A1VN2	1*
IBS-Q8802N-B1VN2	2
IBS-Q8802P-A1VN2	3
IBS-Q8802P-B1VN2	4

IBS-Q8802N-A1PN3	1*
IBS-Q8802N-B1PN3	2
IBS-Q8802P-A1PN3	3
IBS-Q8802P-B1PN3	4

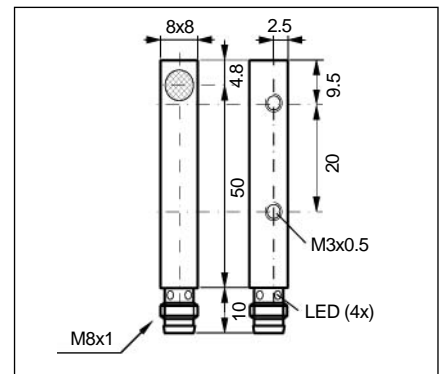
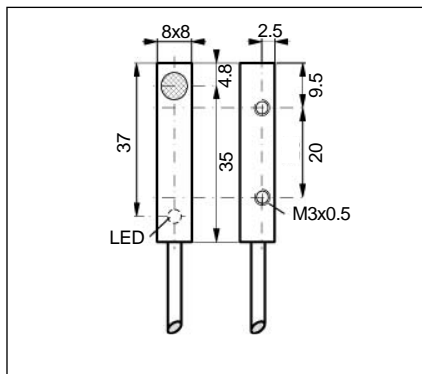
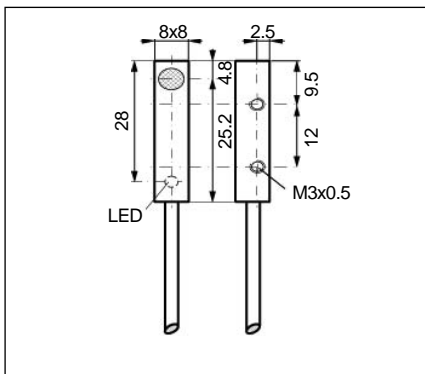
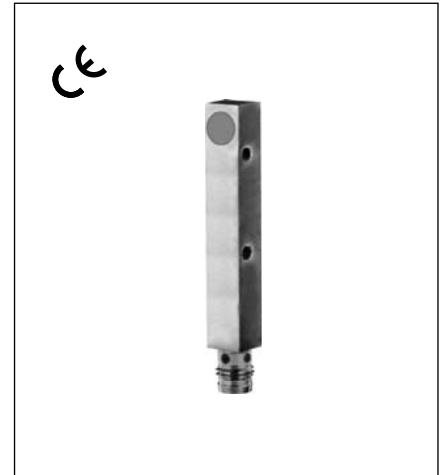
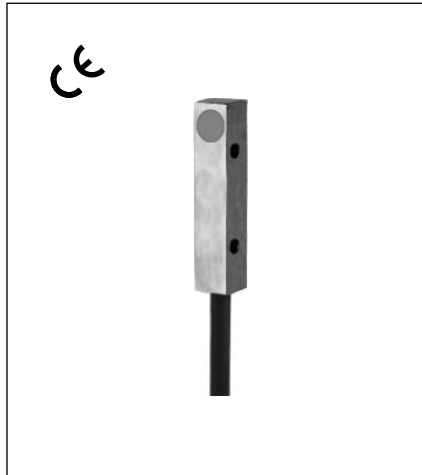
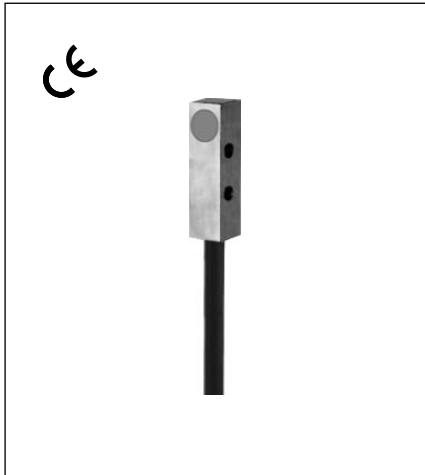
* Wiring diagram number. Please see the relevant wiring diagram shown on Page 013 to Page 015.

LONG RANGE INDUCTIVE PROXIMITY SENSOR (SN: 3mm)

Q8
•
3 mm
Nickel plated brass
•

Q8
•
3 mm
Nickel plated brass
•

Q8
•
3 mm
Nickel plated brass
•



<10%
<10mA
200mA
<0.01mA
<2.0V
1KHz
0.2ms/0.2ms
<15%(Sr)
<1.0%(Sr)
IP67
-25°C - +70°C
<10%(Sr)
Yes
220mA
POM

<10%
<10mA
200mA
<0.01mA
<2.0V
1KHz
0.2ms/0.2ms
<15%(Sr)
<1.0%(Sr)
IP67
-25°C - +70°C
<10%(Sr)
Yes
220mA
POM

<10%
<10mA
200mA
<0.01mA
<2.0V
1KHz
0.2ms/0.2ms
<15%(Sr)
<1.0%(Sr)
IP67
-25°C - +70°C
<10%(Sr)
Yes
220mA
POM

2M Cable (2.9 ∅ 3x0.15)
approx.35 g

2M Cable (2.9 ∅ 3x0.15)
approx.40 g

M8 connector
approx.38 g

IBS-Q8803N-A1VS2	1*
IBS-Q8803N-B1VS2	2
IBS-Q8803P-A1VS2	3
IBS-Q8803P-B1VS2	4

IBS-Q8803N-A1VN2	1*
IBS-Q8803N-B1VN2	2
IBS-Q8803P-A1VN2	3
IBS-Q8803P-B1VN2	4

IBS-Q8803N-A1PN3	1*
IBS-Q8803N-B1PN3	2
IBS-Q8803P-A1PN3	3
IBS-Q8803P-B1PN3	4

* Wiring diagram number. Please see the relevant wiring diagram shown on Page 013 to Page 015.