

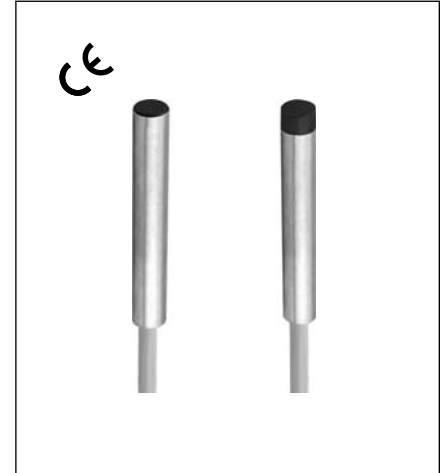
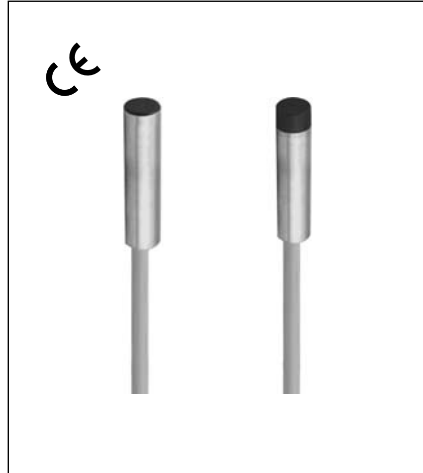
# METAL BARREL INDUCTIVE PROXIMITY SENSOR (10-30VDC/10-55VDC/5-36VDC)

Diameter
● Shielded    ○ non-Shielded
Switching Distance, Sn: mm
Housing Material
● With LED    ○ Without LED

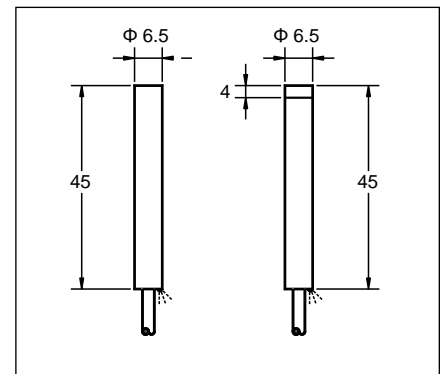
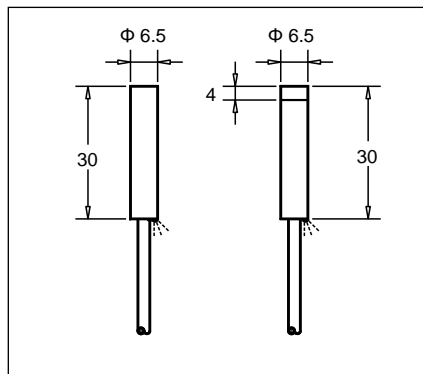
φ 6.5	
●	○
1 mm	2 mm
Stainless steel	
●	

φ 6.5	
●	○
1 mm	2 mm
Stainless steel	
●	

Picture
---------



Dimensions (unit: mm)
-----------------------



Ripple
No Load Current
Max. Load current
Leakage Current
Voltage Drop
Switching Frequency
Response Time
Switching Hysteresis
Repeat Accuracy
Protection Category
Operating Temperature
Temperature Drift
Short Circuit Protection
Overload Trip Point
Material Active Face

<10%
<10mA
200mA
<0.01mA
<1.5V
2KHz
0.1ms/0.1ms
<15%(Sr)
<1.0%(Sr)
IP67
-25°C - +70°C
<10%(Sr)
Yes
220mA
POM

<10%
<10mA
200mA
<0.01mA
<1.5V
2KHz
0.1ms/0.1ms
<15%(Sr)
<1.0%(Sr)
IP67
-25°C - +70°C
<10%(Sr)
Yes
220mA
POM

Connecting type
Weight

2M Cable (2.9 φ 3x0.15)
approx.36 g

2M Cable (2.9 φ 3x0.15)
approx.40 g

DC 3 wire 10-30V NPN N.O.
DC 3 wire 10-30V NPN N.C.
DC 3 wire 10-30V PNP N.O.
DC 3 wire 10-30V PNP N.C.
DC 3 wire 10-55V NPN N.O.
DC 3 wire 10-55V NPN N.C.
DC 3 wire 10-55V PNP N.O.
DC 3 wire 10-55V PNP N.C.
DC 3 wire 5-36 V NPN N.O.
DC 3 wire 5-36 V NPN N.C.
DC 3 wire 5-36 V PNP N.O.
DC 3 wire 5-36 V PNP N.C.

ISS-S6.501N-A1VS2	1*	ISN-S6.502N-A1VS2
ISS-S6.501N-B1VS2	2	ISN-S6.502N-B1VS2
ISS-S6.501P-A1VS2	3	ISN-S6.502P-A1VS2
ISS-S6.501P-B1VS2	4	ISN-S6.502P-B1VS2
ISS-S6.501N-A2VS2	1	ISN-S6.502N-A2VS2
ISS-S6.501N-B2VS2	2	ISN-S6.502N-B2VS2
ISS-S6.501P-A2VS2	3	ISN-S6.502P-A2VS2
ISS-S6.501P-B2VS2	4	ISN-S6.502P-B2VS2

ISS-S6.501N-A1VN2	1*	ISN-S6.502N-A1VN2
ISS-S6.501N-B1VN2	2	ISN-S6.502N-B1VN2
ISS-S6.501P-A1VN2	3	ISN-S6.502P-A1VN2
ISS-S6.501P-B1VN2	4	ISN-S6.502P-B1VN2
ISS-S6.501N-A3VN2	1	ISN-S6.502N-A3VN2
ISS-S6.501N-B3VN2	2	ISN-S6.502N-B3VN2
ISS-S6.501P-A3VN2	3	ISN-S6.502P-A3VN2
ISS-S6.501P-B3VN2	4	ISN-S6.502P-B3VN2
ISS-S6.501N-A2VN2	1	ISN-S6.502N-A2VN2
ISS-S6.501N-B2VN2	2	ISN-S6.502N-B2VN2
ISS-S6.501P-A2VN2	3	ISN-S6.502P-A2VN2
ISS-S6.501P-B2VN2	4	ISN-S6.502P-B2VN2

\* Wiring diagram number. Please see the relevant wiring diagram shown on Page 013 and Page 014.

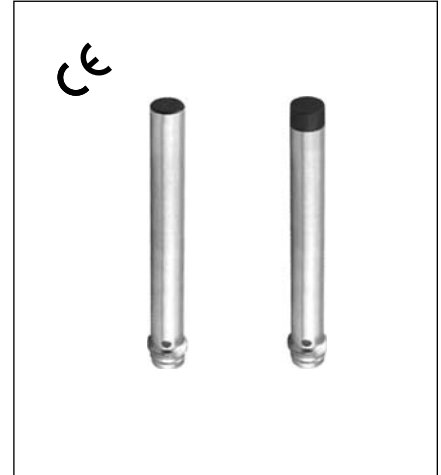
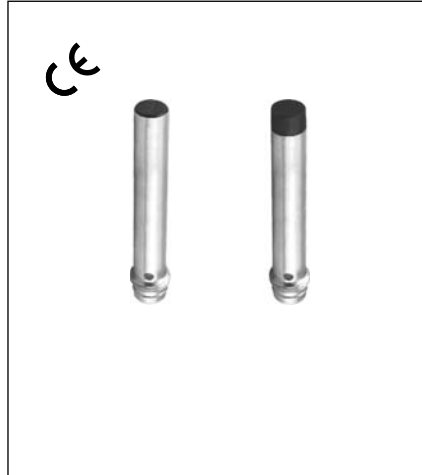
# METAL BARREL INDUCTIVE PROXIMITY SENSOR (10-30VDC/10-55VDC/5-36VDC)

Diameter
● Shielded    ○ non-Shielded
Switching Distance, Sn: mm
Housing Material
● With LED    ○ Without LED

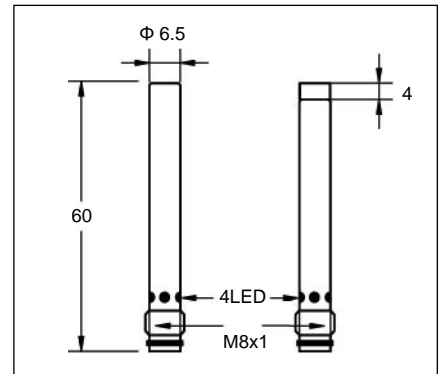
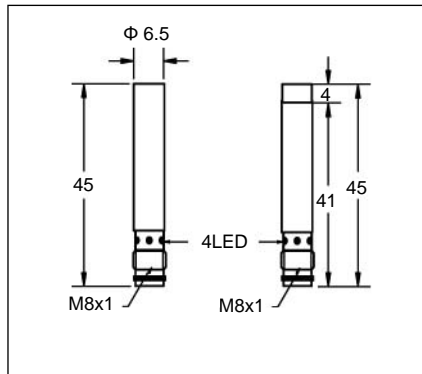
Φ 6.5	
●	○
1 mm	2 mm
Stainless steel	
●	

Φ 6.5	
●	○
1 mm	2 mm
Stainless steel	
●	

Picture
---------



Dimensions (unit: mm)
-----------------------



Ripple
No Load Current
Max. Load current
Leakage Current
Voltage Drop
Switching Frequency
Response Time
Switching Hysteresis
Repeat Accuracy
Protection Category
Operating Temperature
Temperature Drift
Short Circuit Protection
Overload Trip Point
Material Active Face

<10%
<10mA
200mA
<0.01mA
<1.5V
2KHz
0.1ms/0.1ms
<15%(Sr)
<1.0%(Sr)
IP67
-25°C - +70°C
<10%(Sr)
Yes
220mA
POM

<10%
<10mA
200mA
<0.01mA
<1.5V
2KHz
0.1ms/0.1ms
<15%(Sr)
<1.0%(Sr)
IP67
-25°C - +70°C
<10%(Sr)
Yes
220mA
POM

Connecting type
Weight

M8 connector
approx.18 g

M8 connector
approx.18 g

DC 3 wire 10-30V NPN N.O.
DC 3 wire 10-30V NPN N.C.
DC 3 wire 10-30V PNP N.O.
DC 3 wire 10-30V PNP N.C.
DC 3 wire 10-55V NPN N.O.
DC 3 wire 10-55V NPN N.C.
DC 3 wire 10-55V PNP N.O.
DC 3 wire 10-55V PNP N.C.
DC 3 wire 5-36 V NPN N.O.
DC 3 wire 5-36 V NPN N.C.
DC 3 wire 5-36 V PNP N.O.
DC 3 wire 5-36 V PNP N.C.

ISS-S6.501N-A1PS3	1*	ISN-S6.502N-A1PS3
ISS-S6.501N-B1PS3	2	ISN-S6.502N-B1PS3
ISS-S6.501P-A1PS3	3	ISN-S6.502P-A1PS3
ISS-S6.501P-B1PS3	4	ISN-S6.502P-B1PS3
ISS-S6.501N-A2PS3	1	ISN-S6.502N-A2PS3
ISS-S6.501N-B2PS3	2	ISN-S6.502N-B2PS3
ISS-S6.501P-A2PS3	3	ISN-S6.502P-A2PS3
ISS-S6.501P-B2PS3	4	ISN-S6.502P-B2PS3

ISS-S6.501N-A1PN3	1*	ISN-S6.502N-A1PN3
ISS-S6.501N-B1PN3	2	ISN-S6.502N-B1PN3
ISS-S6.501P-A1PN3	3	ISN-S6.502P-A1PN3
ISS-S6.501P-B1PN3	4	ISN-S6.502P-B1PN3
ISS-S6.501N-A3PN3	1	ISN-S6.502N-A3PN3
ISS-S6.501N-B3PN3	2	ISN-S6.502N-B3PN3
ISS-S6.501P-A3PN3	3	ISN-S6.502P-A3PN3
ISS-S6.501P-B3PN3	4	ISN-S6.502P-B3PN3
ISS-S6.501N-A2PN3	1	ISN-S6.502N-A2PN3
ISS-S6.501N-B2PN3	2	ISN-S6.502N-B2PN3
ISS-S6.501P-A2PN3	3	ISN-S6.502P-A2PN3
ISS-S6.501P-B2PN3	4	ISN-S6.502P-B2PN3

\* Wiring diagram number. Please see the relevant wiring diagram shown on Page 013 to Page 015.

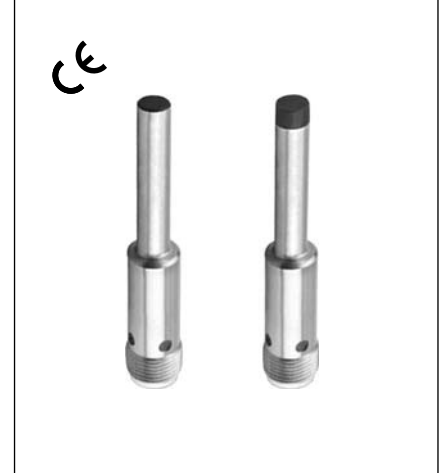
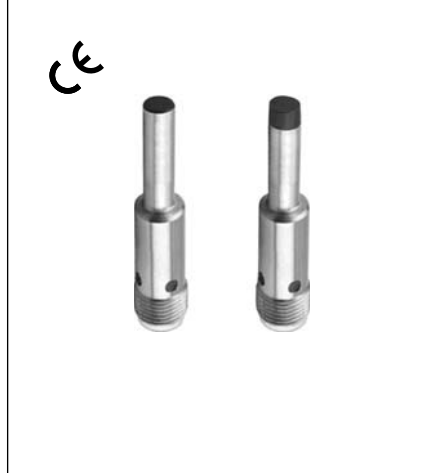
# METAL BARREL INDUCTIVE PROXIMITY SENSOR (10-30VDC/10-55VDC/5-36VDC)

Diameter
● Shielded    ○ non-Shielded
Switching Distance, Sn: mm
Housing Material
● With LED    ○ Without LED

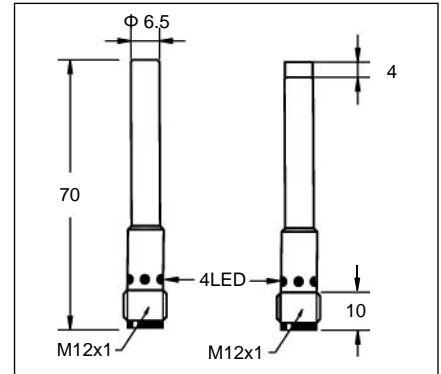
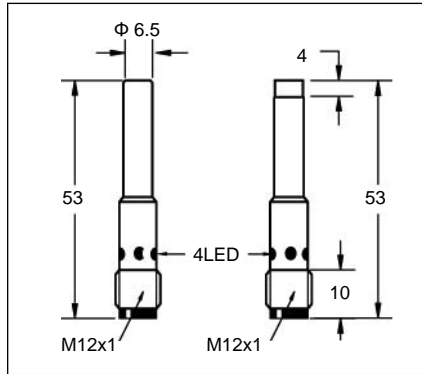
φ 6.5	
●	○
1 mm	2 mm
Stainless steel	
●	

φ 6.5	
●	○
1 mm	2 mm
Stainless steel	
●	

Picture



Dimensions (unit: mm)



Ripple
No Load Current
Max. Load current
Leakage Current
Voltage Drop
Switching Frequency
Response Time
Switching Hysteresis
Repeat Accuracy
Protection Category
Operating Temperature
Temperature Drift
Short Circuit Protection
Overload Trip Point
Material Active Face

<10%
<10mA
200mA
<0.01mA
<1.5V
2KHz
0.1ms/0.1ms
<15%(Sr)
<1.0%(Sr)
IP67
-25°C - +70°C
<10%(Sr)
Yes
220mA
POM

<10%
<10mA
200mA
<0.01mA
<1.5V
2KHz
0.1ms/0.1ms
<15%(Sr)
<1.0%(Sr)
IP67
-25°C - +70°C
<10%(Sr)
Yes
220mA
POM

Connecting type
Weight

M12 connector
approx.20 g

M8 connector
approx.25 g

DC 3 wire 10-30V NPN N.O.
DC 3 wire 10-30V NPN N.C.
DC 3 wire 10-30V PNP N.O.
DC 3 wire 10-30V PNP N.C.
DC 3 wire 10-55V NPN N.O.
DC 3 wire 10-55V NPN N.C.
DC 3 wire 10-55V PNP N.O.
DC 3 wire 10-55V PNP N.C.
DC 3 wire 5-36 V NPN N.O.
DC 3 wire 5-36 V NPN N.C.
DC 3 wire 5-36 V PNP N.O.
DC 3 wire 5-36 V PNP N.C.

ISS-S6.501N-A1ES4	1*	ISN-S6.502N-A1ES4
ISS-S6.501N-B1ES4	2	ISN-S6.502N-B1ES4
ISS-S6.501P-A1ES4	3	ISN-S6.502P-A1ES4
ISS-S6.501P-B1ES4	4	ISN-S6.502P-B1ES4
ISS-S6.501N-A2ES4	1	ISN-S6.502N-A2ES4
ISS-S6.501N-B2ES4	2	ISN-S6.502N-B2ES4
ISS-S6.501P-A2ES4	3	ISN-S6.502P-A2ES4
ISS-S6.501P-B2ES4	4	ISN-S6.502P-B2ES4

ISS-S6.501N-A1EN4	1*	ISN-S6.502N-A1EN4
ISS-S6.501N-B1EN4	2	ISN-S6.502N-B1EN4
ISS-S6.501P-A1EN4	3	ISN-S6.502P-A1EN4
ISS-S6.501P-B1EN4	4	ISN-S6.502P-B1EN4
ISS-S6.501N-A3EN4	1	ISN-S6.502N-A3EN4
ISS-S6.501N-B3EN4	2	ISN-S6.502N-B3EN4
ISS-S6.501P-A3EN4	3	ISN-S6.502P-A3EN4
ISS-S6.501P-B3EN4	4	ISN-S6.502P-B3EN4
ISS-S6.501N-A2EN4	1	ISN-S6.502N-A2EN4
ISS-S6.501N-B2EN4	2	ISN-S6.502N-B2EN4
ISS-S6.501P-A2EN4	3	ISN-S6.502P-A2EN4
ISS-S6.501P-B2EN4	4	ISN-S6.502P-B2EN4

\* Wiring diagram number. Please see the relevant wiring diagram shown on Page 013 to Page 015.