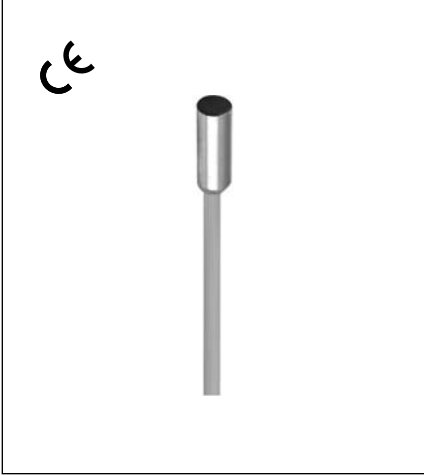
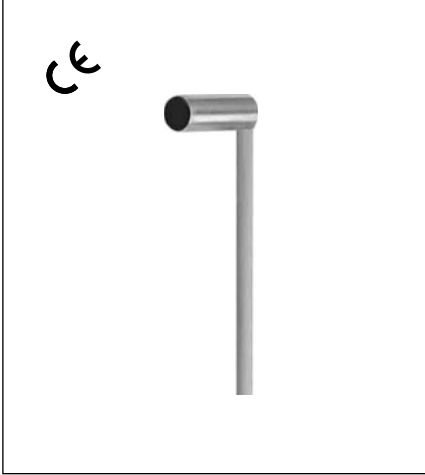
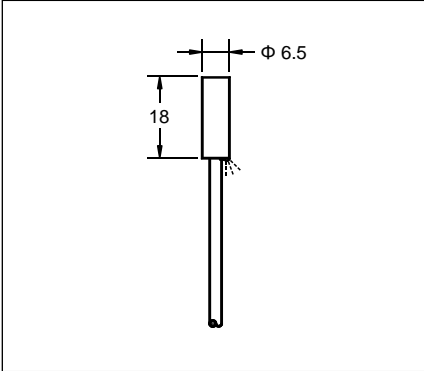
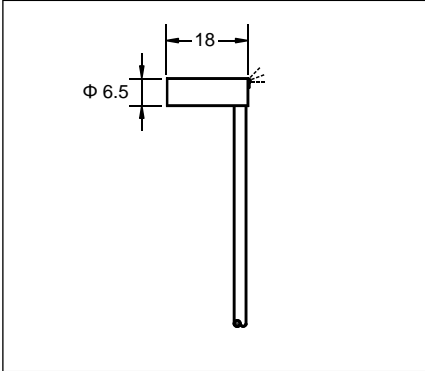
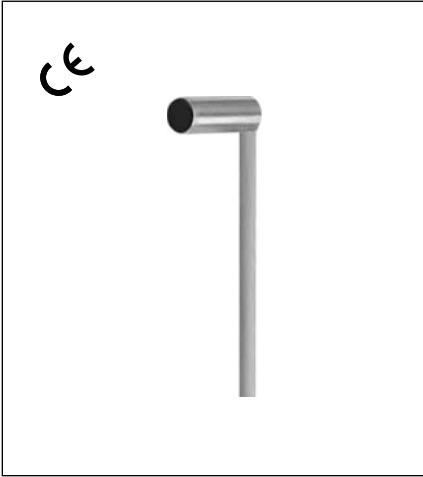
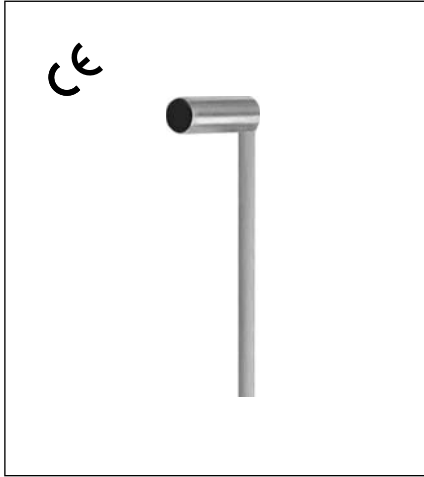
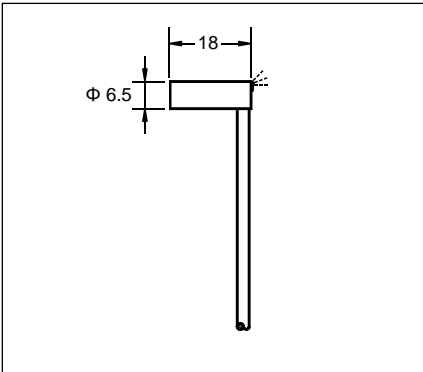
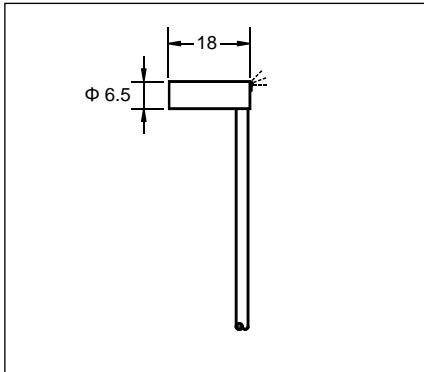


# ULTRA-SHORT INDUCTIVE PROXIMITY SENSOR (10-30VDC/10-55VDC/5-36VDC)

Diameter	$\phi 6.5$	$\phi 6.5$
● Shielded    ○ non-Shielded	●	●
Switching Distance, Sn: mm	3 mm	1 mm
Housing Material	Stainless steel	Stainless steel
● With LED    ○ Without LED	●	●
Picture		
Dimensions (unit: mm)		
Ripple	<10%	<10%
No Load Current	<10mA	<10mA
Max. Load current	200mA	200mA
Leakage Current	<0.01mA	<0.01mA
Voltage Drop	<1.5V	<1.5V
Switching Frequency	1KHz	2KHz
Response Time	0.2ms/0.2ms	0.1ms/0.1ms
Switching Hysteresis	<15%(Sr)	<15%(Sr)
Repeat Accuracy	<1.0%(Sr)	<1.0%(Sr)
Protection Category	IP67	IP67
Operating Temperature	-25°C- +70°C	-25°C- +70°C
Temperature Drift	<10%(Sr)	<10%(Sr)
Short Circuit Protection	Yes	Yes
Overload Trip Point	220mA	220mA
Material Active Face	POM	POM
Connecting type	2M Cable (2.9 $\phi$ 3x0.15)	2M Cable (2.9 $\phi$ 3x0.15)
Weight	approx.25 g	approx.25 g
DC 3 wire 10-30V NPN N.O.	ISS-S6.503N-A1VR2	ISS-S6.501N-A1LR2
DC 3 wire 10-30V NPN N.C.	ISS-S6.503N-B1VR2	ISS-S6.501N-B1LR2
DC 3 wire 10-30V PNP N.O.	ISS-S6.503P-A1VR2	ISS-S6.501P-A1LR2
DC 3 wire 10-30V PNP N.C.	ISS-S6.503P-B1VR2	ISS-S6.501P-B1LR2
DC 3 wire 10-55V NPN N.O.		
DC 3 wire 10-55V NPN N.C.		
DC 3 wire 10-55V PNP N.O.		
DC 3 wire 10-55V PNP N.C.		
DC 3 wire 5-36 V NPN N.O.		
DC 3 wire 5-36 V NPN N.C.		
DC 3 wire 5-36 V PNP N.O.		
DC 3 wire 5-36 V PNP N.C.		

\* Wiring diagram number. Please see the relevant wiring diagram shown on Page 013 and Page 014.

# ULTRA-SHORT INDUCTIVE PROXIMITY SENSOR (10-30VDC/10-55VDC/5-36VDC)

Diameter	$\phi$ 6.5	$\phi$ 6.5
● Shielded    ○ non-Shielded	●	●
Switching Distance, Sn: mm	2 mm	3 mm
Housing Material	Stainless steel	Stainless steel
● With LED    ○ Without LED	●	●
Picture		
Dimensions (unit: mm)		
Ripple	<10%	<10%
No Load Current	<10mA	<10mA
Max. Load current	200mA	200mA
Leakage Current	<0.01mA	<0.01mA
Voltage Drop	<1.5V	<1.5V
Switching Frequency	2KHz	1KHz
Response Time	0.1ms/0.1ms	0.2ms/0.2ms
Switching Hysteresis	<15%(Sr)	<15%(Sr)
Repeat Accuracy	<1.0%(Sr)	<1.0%(Sr)
Protection Category	IP67	IP67
Operating Temperature	-25°C- +70°C	-25°C- +70°C
Temperature Drift	<10%(Sr)	<10%(Sr)
Short Circuit Protection	Yes	Yes
Overload Trip Point	220mA	220mA
Material Active Face	POM	POM
Connecting type	2M Cable (2.9 $\phi$ 3x0.15)	2M Cable (2.9 $\phi$ 3x0.15)
Weight	approx.25 g	approx.25 g
DC 3 wire 10-30V NPN N.O.	ISS-S6.502N-A1LR2	ISS-S6.503N-A1LR2
DC 3 wire 10-30V NPN N.C.	ISS-S6.502N-B1LR2	ISS-S6.503N-B1LR2
DC 3 wire 10-30V PNP N.O.	ISS-S6.502P-A1LR2	ISS-S6.503P-A1LR2
DC 3 wire 10-30V PNP N.C.	ISS-S6.502P-B1LR2	ISS-S6.503P-B1LR2
DC 3 wire 10-55V NPN N.O.		
DC 3 wire 10-55V NPN N.C.		
DC 3 wire 10-55V PNP N.O.		
DC 3 wire 10-55V PNP N.C.		
DC 3 wire 5-36 V NPN N.O.		
DC 3 wire 5-36 V NPN N.C.		
DC 3 wire 5-36 V PNP N.O.		
DC 3 wire 5-36 V PNP N.C.		

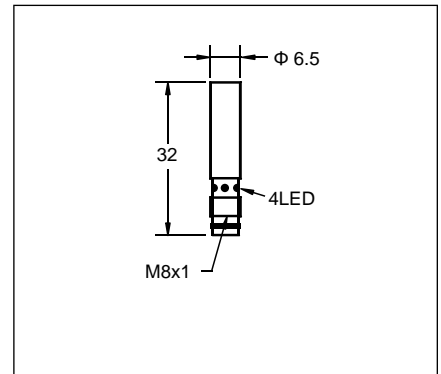
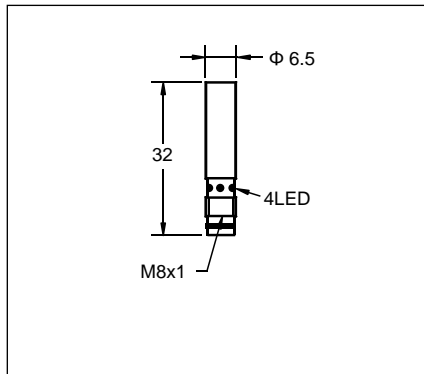
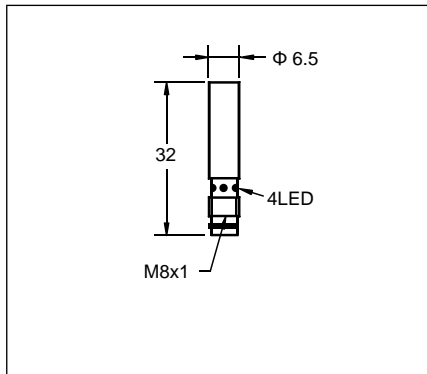
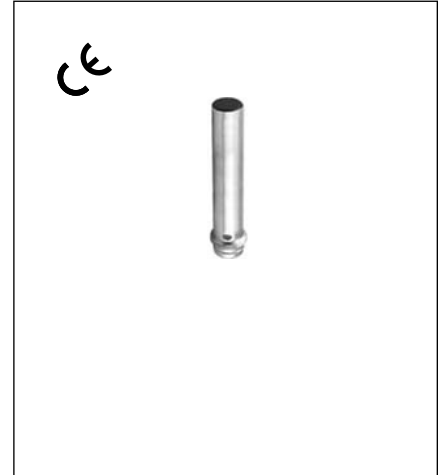
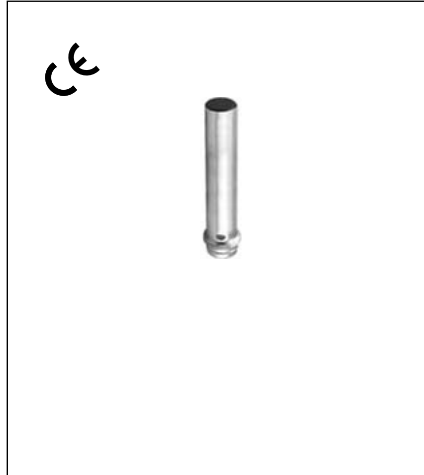
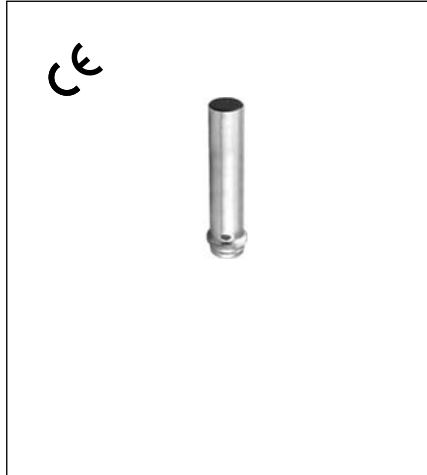
\* Wiring diagram number. Please see the relevant wiring diagram shown on Page 013 to Page 015.

# ULTRA-SHORT INDUCTIVE PROXIMITY SENSOR (10-30VDC/10-55VDC/5-36VDC)

$\phi 6.5$
•
1 mm
Stainless steel
•

$\phi 6.5$
•
2 mm
Stainless steel
•

$\phi 6.5$
•
3 mm
Stainless steel
•



<10%
<10mA
200mA
<0.01mA
<1.5V
2KHz
0.1ms/0.1ms
<15%(Sr)
<1.0%(Sr)
IP67
-25°C - +70°C
<10%(Sr)
Yes
220mA
POM

<10%
<10mA
200mA
<0.01mA
<1.5V
2KHz
0.1ms/0.1ms
<15%(Sr)
<1.0%(Sr)
IP67
-25°C - +70°C
<10%(Sr)
Yes
220mA
POM

<10%
<10mA
200mA
<0.01mA
<1.5V
1KHz
0.2ms/0.2ms
<15%(Sr)
<1.0%(Sr)
IP67
-25°C - +70°C
<10%(Sr)
Yes
220mA
POM

M8 connector
approx.8 g

M8 connector
approx.8 g

M8 connector
approx.8 g

ISS-S6.501N-A1PR3	1*
ISS-S6.501N-B1PR3	2
ISS-S6.501P-A1PR3	3
ISS-S6.501P-B1PR3	4

ISS-S6.502N-A1PR3	1*
ISS-S6.502N-B1PR3	2
ISS-S6.502P-A1PR3	3
ISS-S6.502P-B1PR3	4

ISS-S6.503N-A1PR3	1*
ISS-S6.503N-B1PR3	2
ISS-S6.503P-A1PR3	3
ISS-S6.503P-B1PR3	4

\* Wiring diagram number. Please see the relevant wiring diagram shown on Page 013 and Page 014.